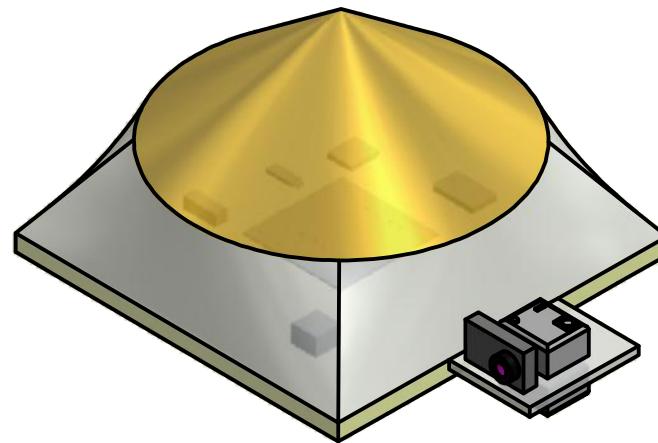
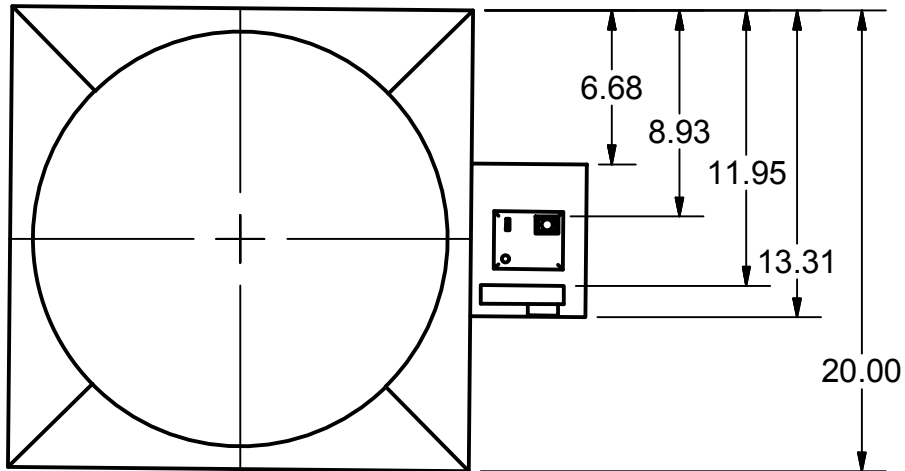


2

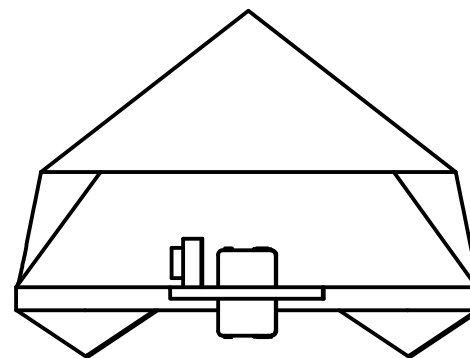
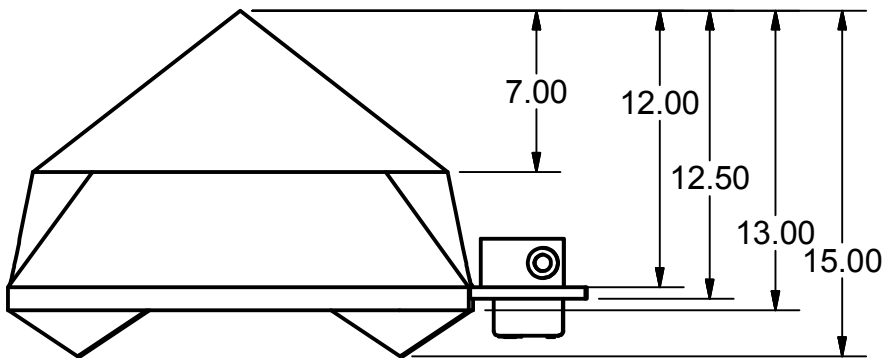


1



B

B



A

A

**INTRODUCTION TO ENGINEERING DESIGN**

BRYANT HIGH SCHOOL, a Project Lead The Way School

PROJECT **Space Capsule**

SIZE <b>A</b>	PART DATE 4/22/2015	PART Capsule	PER 2B
------------------	------------------------	-----------------	-----------

NAME Daniel, Sunny, Kristina	DRAWING DATE 4/24/2015
---------------------------------	---------------------------

2

