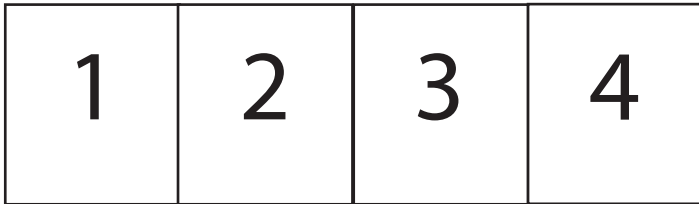


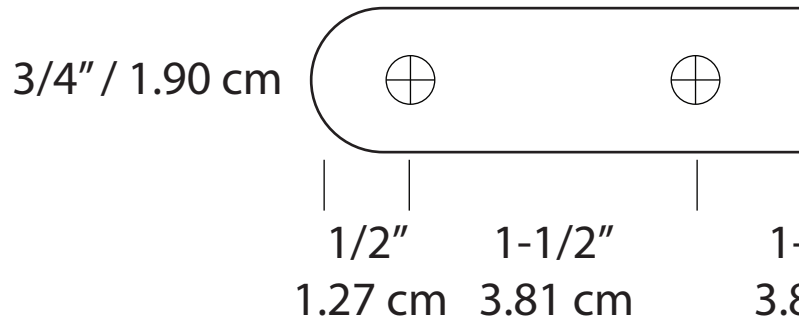
STRAPS

Print at 100%,
Four 8-1/2 x 11 Pages
Line Up End to End in this Order
for Pattern



↑ ↑
May have white areas between
pages just continue line work
with pencil or pen,
do not overlap

3/4" / 1.90 cm



3/4" / 1.90 cm



1/2"
1.27 cm

1-1/2"
3.81 cm



1-1/2"
3.81 cm

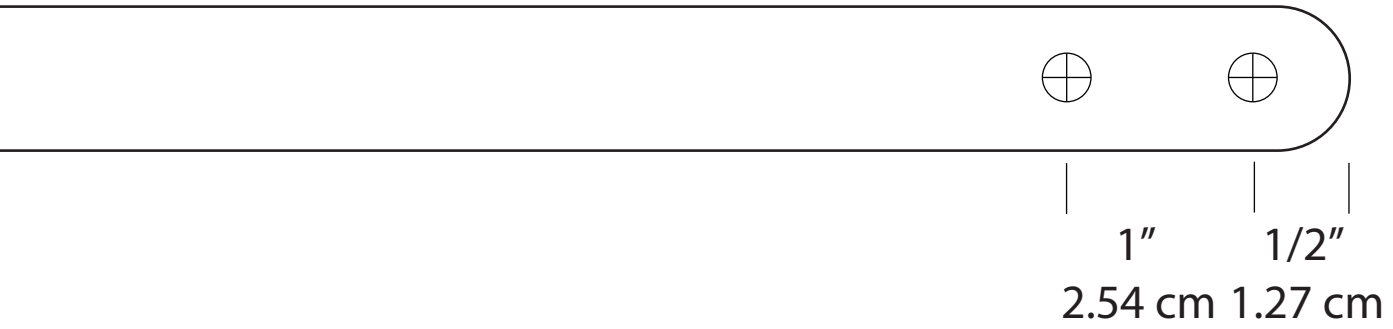
1-1/2"
3.81 cm

3/4" / 1.90 cm



1/2"
1.27 cm

12" / 30.48 cm



20" / 50.8 cm



25" / 63.5 cm



3-1/4" / 8.25 cm

