



LCD-Monitor

Chassis : LTD22NS

Model : T220HD

SERVICE Manual

TFT-LCD Monitor



T220HD

Contens

1. Precautions
2. Product specifications
3. Disassembly and Reassemble
4. Troubleshooting
5. Exploded View & Part List
6. Wiring Diagram
7. Schematic Diagram

Refer to the service manual in the GSPN (see the rear cover) for the more information.

Contents

1. Precautions	1-1
1-1. Safety Precautions	1-1
1-2. Servicing Precautions	1-2
1-3. Static Electricity Precautions	1-2
1-4. Installation Precautions	1-3
2. Product specifications	2-1
2-1. Feature & Specifications	2-1
2-2. Spec Comparison to the Old Models	2-3
2-3. Accessories	2-4
3. Disassembly and Assembly	3-1
3-1. Disassembly	3-1
4. Troubleshooting	4-1
4-1. First Checklist for Troubleshooting	4-1
4-2. No Power	4-2
4-3. PC (ANALOG) No Screen	4-5
4-4. DVI No Screen	4-8
4-5. HDMI1 No Screen	4-11
4-6. HDMI2 No Screen	4-13
4-7. Faults and Corrective Actions	4-14
4-8. Adjustment	4-15
4-10. Service Adjustment	4-16
5. Exploded View & Part List	5-1
5-1. Exploded View	5-1
5-2. Parts List	5-3
6. Wiring Diagram	6-1
6-1. Wiring Diagram - Main Board	6-1
6-2. Wiring Diagram - Main Board	6-2
6-3. Wiring Diagram - IP Board	6-3
7. Schematic Diagram	7-1
7-1. Circuit Descriptions	7-1
7-2. Block Diagram (IP Board)	7-2
7-3. Power Tree (Main Board)	7-3
7-4. Schematic Diagrams	7-5
7-4-1. Schematic Diagrams (POWER)	7-5
7-4-2. Schematic Diagrams (Function / DDR Memory / Scaler)	7-6
7-4-3. Schematic Diagrams (LVDS / OP AMP / Scaler)	7-7
7-4-4. Schematic Diagrams (Tuner / Channel Chip)	7-8
7-4-5. Schematic Diagrams (Connector)	7-9
7-4-6. Schematic Diagrams (TMDS Switch)	7-10
7-4-7. Schematic Diagrams (Sound Amp / Headphone)	7-11



GSPN (Global Service Partner Network)

Area	Web Site
North America	http://service.samsungportal.com
Latin America	http://latin.samsungportal.com
CIS	http://cis.samsungportal.com
Europe	http://europe.samsungportal.com
China	http://china.samsungportal.com
Asia	http://asia.samsungportal.com
Mideast & Africa	http://mea.samsungportal.com

This Service Manual is a property of Samsung Electronics Co.,Ltd.
Any unauthorized use of Manual can be punished under applicable
International and/or domestic law.

© 2008 Samsung Electronics Co.,Ltd.
All rights reserved.
Printed in Korea
P/N: BN82-00350A-00

1. Precautions

1-1. Safety Precautions

Follow these safety, servicing and ESD precautions to prevent damage and to protect against potential hazards such as electrical shock.

1-1-1. Warnings

1. For continued safety, do not attempt to modify the circuit board.
2. Disconnect the AC power and DC power jack before servicing.

1-1-2. Servicing the LCD Monitor

1. When servicing the LCD Monitor, Disconnect the AC line cord from the AC outlet.
2. It is essential that service technicians have an accurate voltage meter available at all times. Check the calibration of this meter periodically.

1-1-3. Fire and Shock Hazard

Before returning the monitor to the user, perform the following safety checks:

1. Inspect each lead dress to make certain that the leads are not pinched or that hardware is not lodged between the chassis and other metal parts in the monitor.
2. Inspect all protective devices such as nonmetallic control knobs, insulating materials, cabinet backs, adjustment and compartment covers or shields, isolation resistor/capacitor networks, mechanical insulators, etc.
3. Leakage Current Hot Check (Figure 1-1):

WARNING : Do not use an isolation transformer during this test.

Use a leakage current tester or a metering system that complies with American National Standards Institute (ANSI C101.1, Leakage Current for Appliances), and Underwriters Laboratories (UL Publication UL1410, 59.7).

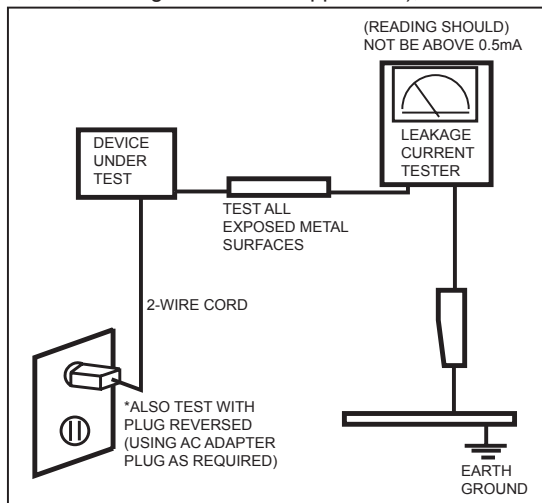


Figure 1-1. Leakage Current Test Circuit

4. With the unit completely reassembled, plug the AC line cord directly into a 120V AC outlet. With the unit's AC switch first in the ON position and then OFF, measure the current between a known earth ground (metal water pipe, conduit, etc.) and all exposed metal parts, including: metal cabinets, screwheads and control shafts. The current measured should not exceed 0.5 milliamp. Reverse the power-plug prongs in the AC outlet and repeat the test.

1-1-4. Product Safety Notices

Some electrical and mechanical parts have special safety-related characteristics which are often not evident from visual inspection. The protection they give may not be obtained by replacing them with components rated for higher voltage, wattage, etc. Parts that have special safety characteristics are identified by \triangle on schematics and parts lists. A substitute replacement that does not have the same safety characteristics as the recommended replacement part might create shock, fire and/or other hazards. Product safety is under review continuously and new instructions are issued whenever appropriate.

1-2. Servicing Precautions

WARNING: An electrolytic capacitor installed with the wrong polarity might explode.

Caution: Before servicing units covered by this service manual, read and follow the Safety Precautions section of this manual.

Note: If unforeseen circumstances create conflict between the following servicing precautions and any of the safety precautions, always follow the safety precautions.

1-2-1 General Servicing Precautions

1. Always unplug the unit's AC power cord from the AC power source and disconnect the DC Power Jack before attempting to:
(a) remove or reinstall any component or assembly, (b) disconnect PCB plugs or connectors, (c) connect a test component in parallel with an electrolytic capacitor.
2. Some components are raised above the printed circuit board for safety. An insulation tube or tape is sometimes used. The internal wiring is sometimes clamped to prevent contact with thermally hot components. Reinstall all such elements to their original position.
3. After servicing, always check that the screws, components and wiring have been correctly reinstalled. Make sure that the area around the serviced part has not been damaged.
4. Check the insulation between the blades of the AC plug and accessible conductive parts (examples: metal panels, input terminals and earphone jacks).
5. Insulation Checking Procedure: Disconnect the power cord from the AC source and turn the power switch ON. Connect an insulation resistance meter (500 V) to the blades of the AC plug. The insulation resistance between each blade of the AC plug and accessible conductive parts (see above) should be greater than 1 megohm.
6. Always connect a test instrument's ground lead to the instrument chassis ground before connecting the positive lead; always remove the instrument's ground lead last.

1-3. Static Electricity Precautions

Some semiconductor (solid state) devices can be easily damaged by static electricity. Such components are commonly called Electrostatically Sensitive Devices (ESD). Examples of typical ESD are integrated circuits and some field-effect transistors. The following techniques will reduce the incidence of component damage caused by static electricity.

1. Immediately before handling any semiconductor components or assemblies, drain the electrostatic charge from your body by touching a known earth ground. Alternatively, wear a discharging wrist-strap device. To avoid a shock hazard, be sure to remove the wrist strap before applying power to the monitor.
2. After removing an ESD-equipped assembly, place it on a conductive surface such as aluminum foil to prevent accumulation of an electrostatic charge.
3. Do not use freon-propelled chemicals. These can generate electrical charges sufficient to damage ESDs.
4. Use only a grounded-tip soldering iron to solder or desolder ESDs.
5. Use only an anti-static solder removal device. Some solder removal devices not classified as "anti-static" can generate electrical charges sufficient to damage ESDs.
6. Do not remove a replacement ESD from its protective package until you are ready to install it. Most replacement ESDs are packaged with leads that are electrically shorted together by conductive foam, aluminum foil or other conductive materials.
7. Immediately before removing the protective material from the leads of a replacement ESD, touch the protective material to the chassis or circuit assembly into which the device will be installed.
Caution: Be sure no power is applied to the chassis or circuit and observe all other safety precautions.
8. Minimize body motions when handling unpackaged replacement ESDs. Motions such as brushing clothes together, or lifting your foot from a carpeted floor can generate enough static electricity to damage an ESD.

1-4. Installation Precautions

1. For safety reasons, more than two people are required for carrying the product.
2. Keep the power cord away from any heat emitting devices, as a melted covering may cause fire or electric shock.
3. Do not place the product in areas with poor ventilation such as a bookshelf or closet. The increased internal temperature may cause fire.
4. Bend the external antenna cable when connecting it to the product. This is a measure to protect it from being exposed to moisture. Otherwise, it may cause a fire or electric shock.
5. Make sure to turn the power off and unplug the power cord from the outlet before repositioning the product. Also check the antenna cable or the external connectors if they are fully unplugged. Damage to the cord may cause fire or electric shock.
6. Keep the antenna far away from any high-voltage cables and install it firmly. Contact with the high-voltage cable or the antenna falling over may cause fire or electric shock.
7. When installing the product, leave enough space (10cm) between the product and the wall for ventilation purposes. A rise in temperature within the product may cause fire.

Memo




3. Disassembly and Assembly

This section describes the disassembly and reassembly sequences for this monitor.

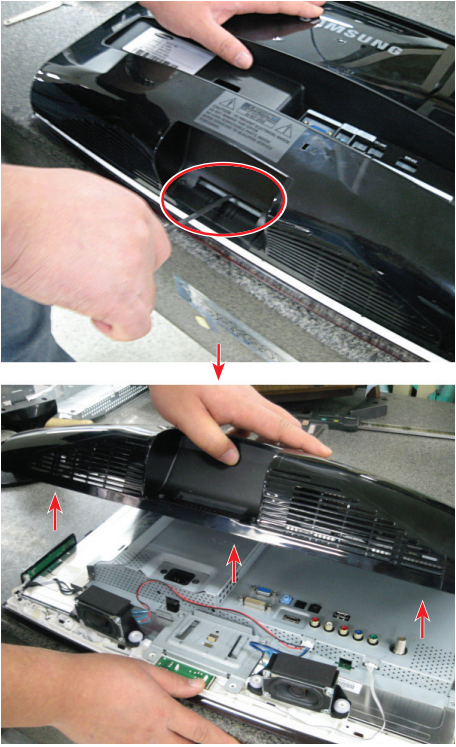
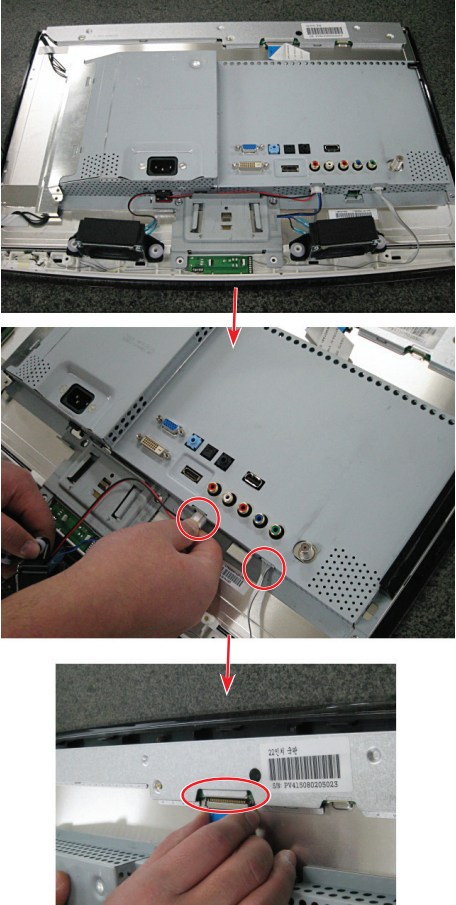
⚠ Warning: As this monitor has parts that are sensitive to static electricity, be careful when handling them.

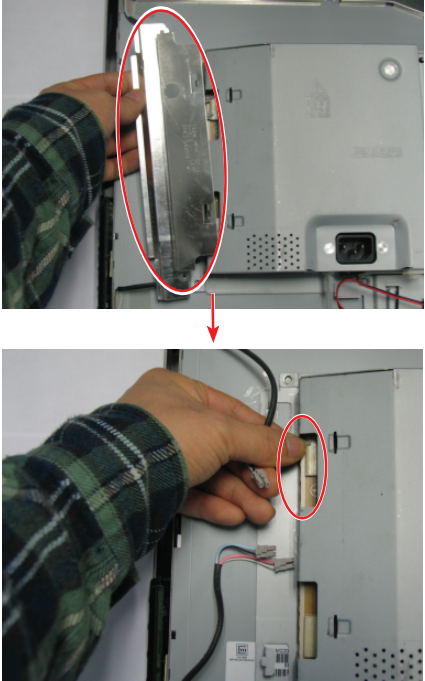
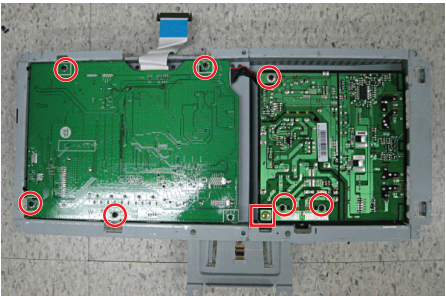

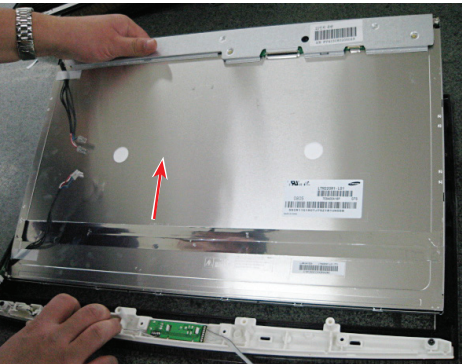
3-1. Disassembly

- ⚠ Caution:**
1. Turn the monitor off before beginning the disassembly process.
 2. When disassembling the monitor, do not use any metal tools except for the provided jig.
 3. Remove the signal cable and the power cord before beginning the disassembly.

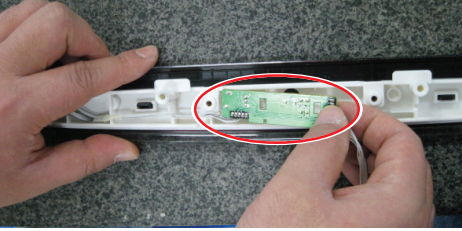
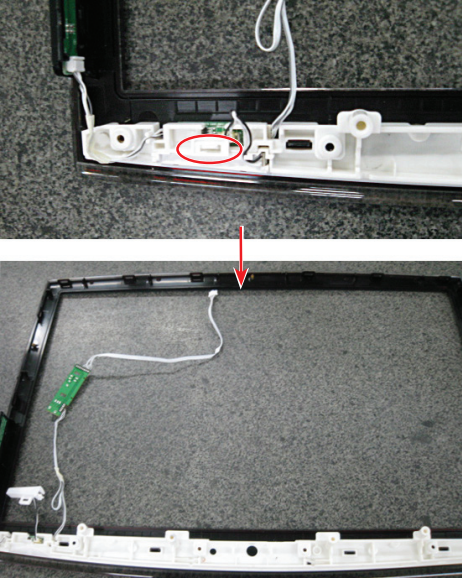
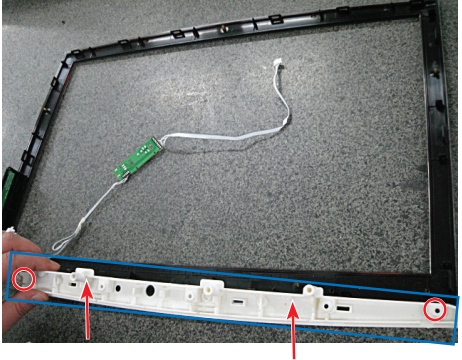

Description	Photo	Screws
<p>1. Place monitor face down on cushioned table. Remove Stand, then remove 2 marked screws from the rear cover.</p> <p>⚠ Caution : If you do not tilt the stand and use too much force to remove it, the connection pin may break.</p>		
<p>2. Remove the cover and the LCD panel using the provided jig on both grooves at the bottom.</p>		

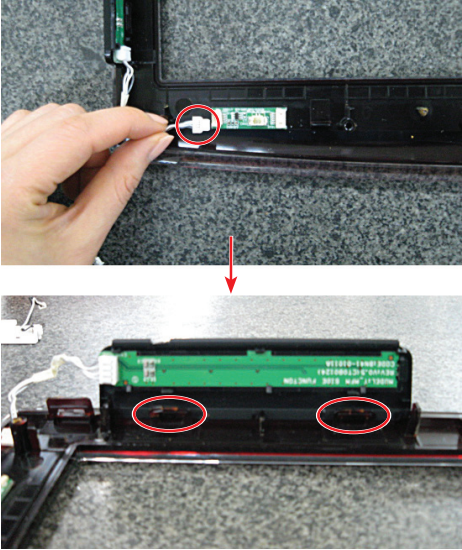

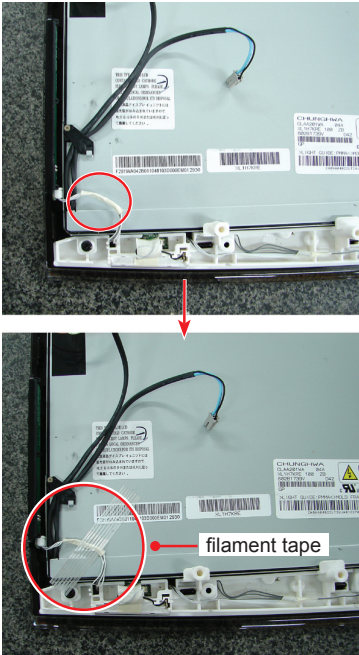
3. Disassembly and Assembly

Description	Photo	Screws
<p>3. Insert a flat screwdriver into the groove and then lift up and remove the cover.</p>		
<p>4. After remove COVER-REAR, then disconnect SPEAKER , FUNCTION wire.</p> <p>5. Disconnect LVDS cable from panel.</p>		

Description	Photo	Screws
<p>6. After disconnecting SHIELD-LAMP of left side, disassemble lamp wire between panel and IP Board.</p>		
<p>7. Remove 8 marked SCREW of left picture. Disconnect IP board.</p> <p>※ Reassembly procedures are in the reverse order of disassembly procedures.</p>		
<p>8. Remove the LCD panel.</p>		

3. Disassembly and Assembly

Description	Photo	Screws
<p>9. Remove the IR module by tilting the left snap to the right.</p>		
<p>10. Remove the LED module by sliding the snap designated in the right figure backwards.</p>		
<p>11. Remove the two (2) screws and then remove the holders from the four (4) snaps designated in the right figure using the provided jig.</p>		

Description	Photo	Screws
<p>12. Remove the two (2) connectors.</p> <p>⚠ Caution : Servicing is not supported for the PCB.</p>		
<p>► Assembly</p> <p>13. The assembly is in the reverse order of the disassembly.</p> <p>14. Connect the disassembled snap and the LED module again.</p>		
<p>15. Fix the connecting wire with filament tape</p> <p>⚠ Caution : If the wire is damaged when closing the cover, an operating error may occur. Therefore, make sure to close the cover after fixing it with filament tape.</p>		

※ The assembly is in the reverse order of disassembly.

Memo

2. Product specifications

2-1. Feature & Specifications

Model	T220HD	
Feature		
<ul style="list-style-type: none"> ▶ Supreme Digital Interface & Networking <ul style="list-style-type: none"> - With a built-in HD digital tuner, it supports HD broadcasting with no particular set-top box and provides simple access with a single remote control. ▶ Excellent Picture Quality ▶ Dynamic Contrast <ul style="list-style-type: none"> - Automatically detects the input visual signal and adjusts to create optimum contrast. ▶ SRS TruSurround XT <ul style="list-style-type: none"> - SRS TruSurround XT provides a virtual Dolby surround system. ▶ Convenience <ul style="list-style-type: none"> -The TV utilizes the HDMI system to implement perfect digital sound and picture quality. 		
Specifications		
Item	Description	
LCD Panel	TFT-LCD Panel, RGB Vertical stripe, normally White, 22-Inch viewable, 0.282(H) X 0.282(V) mm Pixel Pitch	
Scanning Frequency	Horizontal : 30 kHz ~ 81 kHz (Automatic) Vertical: 56 Hz ~ 75 Hz(Automatic)	
Display Colors	16.7 Million colors	
Maximum resolution	Horizontal: 1680pixels Vertical: 1050pixels	
Input Signal	Analog 0.7 Vp-p $\pm 5\%$ positive at 75 Ω , internally terminated	
Input Sync Signal	Type : Seperate H/V Level : TTL level	
Maximum Pixel Clock rate	146.25MHz	
Active Display (Horizontal/Vertical)	473.76(H) x 296.1(V)	
AC power voltage & Frequency	AC 110 ~ 240V, 50 ~ 60 Hz	
Power Consumption	58W < 2W	
Dimensions Set (W x D x H)	520 x 86.5 x 373.5 mm (Without Stand) 520 x 215 x 441.5 mm (With Stand)	
Weight Set (After installation Stand)	6.2Kg (16.53lbs)	
TV System	Tuning	Frequency Synthesize
	System	NTSC
	Sound	MONO, STEREO

2. Product specifications


Specifications	
Item	Description
Environmental Considerations	Operating Temperature: 50°C ~ 104°F(10°C ~ 40°C) Operating Humidity : 10% ~ 80% Storage Temperature: -4°C ~ 113°C(-20°C ~ 45°C) Storage Humidity: 5% ~ 95%
Antenna Input	75Ω
Sound Characteristic	-MAX Internal speaker Out : Right : 3W / Left : 3W -BASS Control Range : -8 dB ~ + 8dB -TREBLE Control Range : -8 dB ~ +8 dB -Headphone Out : 10 mW MAX -Output Frequency : RF : 80 Hz ~ 15 kHz A/V : 80 Hz ~ 20 kHz

2-2. Spec Comparison to the Old Models

Model	T220HD	Curie (225MD)
Design		
Screen Size	22"	22"
Resolution	1680x1050 (WSXGA) 60Hz	1680x1050 (WSXGA) 60Hz
Brightness	300cd/m2	400cd/m2
Contrast Ratio	1000:1	700:1
Response Time	5ms	5ms
Viewing Angle	Left/Right/Up/Down : 85°/85°/80°/80°	Left/Right/Up/Down : 85°/85°/80°/80°
PC Input	D-SUB, DVI	D-SUB, DVI
Power Consumption	58W	58W
DPMS	Less than 2W	Less than 1W
Sound Output	3W x 2	3W x 2

Image Size : If the resolution is not wide resolution, this option allows the screen size to be selected as normal or wide.

2-3. Accessories

Product	Description	Ccde. No	Remark
	Remote Control & Batteries (AAA x 2)	BN59-00678A	Samsung Electronics Service center
	Power Cord	3903-000085	
	Stand Body	BN96-07347B	
	Stand Base	BN96-07345A	
	D-Sub Cable	BN39-00244G	
	CBF SIGNAL-DVI(D)	BN39-00246K	
	User's Guide, Monitor Driver, Natural Color Pro Software	BN96-07540A	
	Cleaning Cloth	BN63-01798A	

4. Troubleshooting

4-1. First Checklist for Troubleshooting

■ Self-Test Feature Check

Your monitor provides a self test feature that allows you to check whether your monitor is functioning properly.

1. Turn off both your computer and the monitor.
2. Unplug the video cable from the back of the computer
3. Turn on the monitor.

If the monitor is functioning properly, you will see a box in the illustration below. .

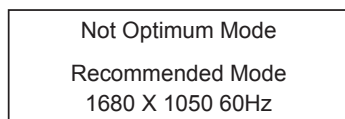


This box appears during normal operation if the video cable becomes disconnected or damaged.

4. Turn off your monitor and reconnect the video cable; then turn on both your computer and the monitor. If your monitor screen remains blank after using the previous procedure, check your video controller and computer system; your monitor is functioning properly.

■ Warning Messages

If there is something wrong with the input signal, a message appears on the screen or the screen goes blank although the power indicator LED is still on. The message may indicate that the monitor is out of scan range or that you need to check the signal cable.



■ Environment

The location and the position of the monitor may influence the quality and other features of the monitor.

If there are any sub woofer speakers near the monitor, unplug and relocate the woofer to another room.

Remove all electronic devices such as radios, fans, clocks and telephones that are within 3 feet (one meter) of the monitor.

■ Useful Tips

- ▶ A monitor recreates visual signals received from the computer.

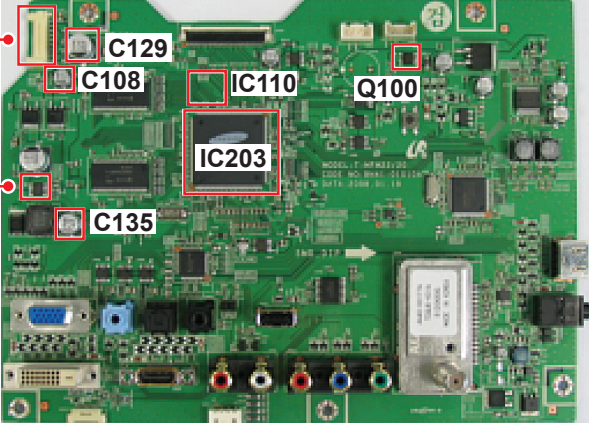
Therefore, if there is trouble with the computer or the video card, this can cause the monitor to become blank, have poor coloring, noise, Video mode not supported, etc. In this case, first check the source of the problem, and then contact the Service Center or your dealer.

- ▶ Judging the monitor's working condition

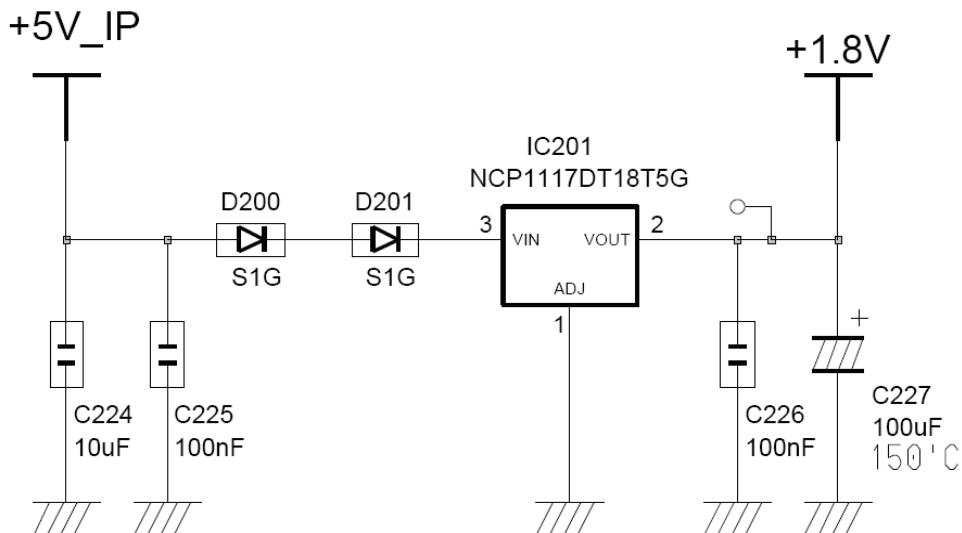
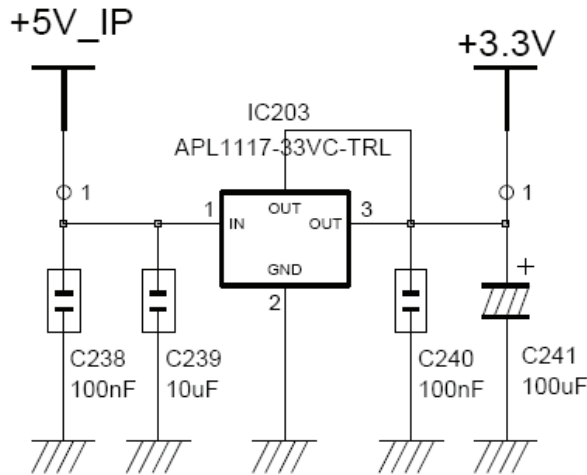
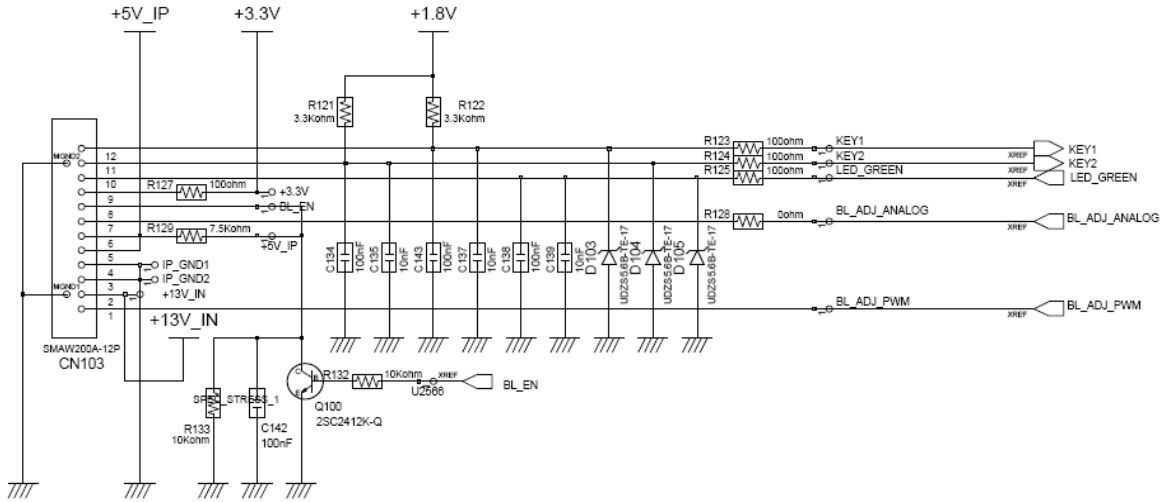
If there is no image on the screen or a "Not Optimum Mode", "Recommended Mode 1680 x 1050 60 Hz" message comes up, disconnect the cable from the computer while the monitor is still powered on.

- If there is a message coming up on the screen or if the screen goes white, this means the monitor is in working condition.
- In this case, check the computer for trouble.

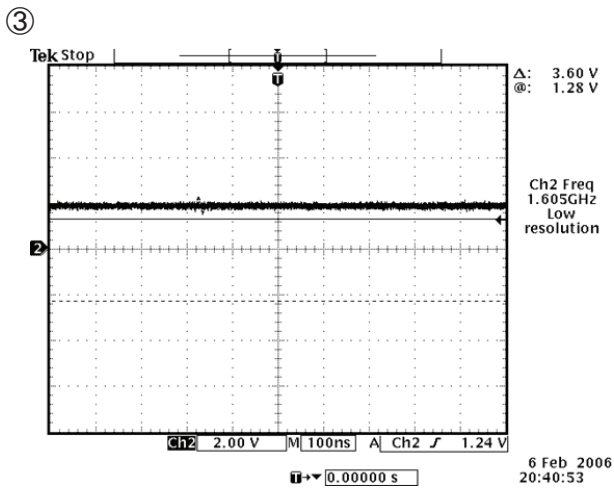
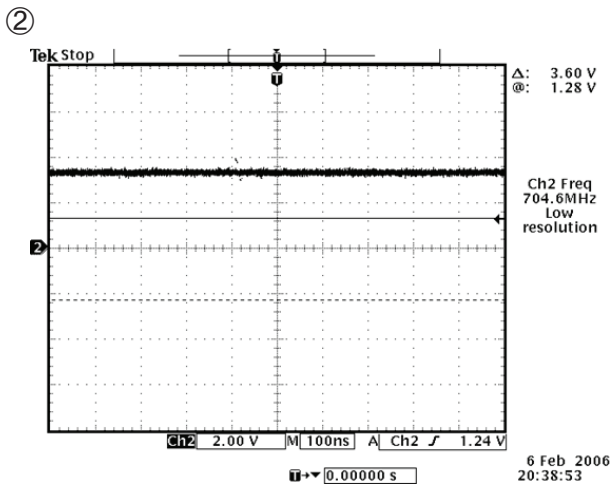
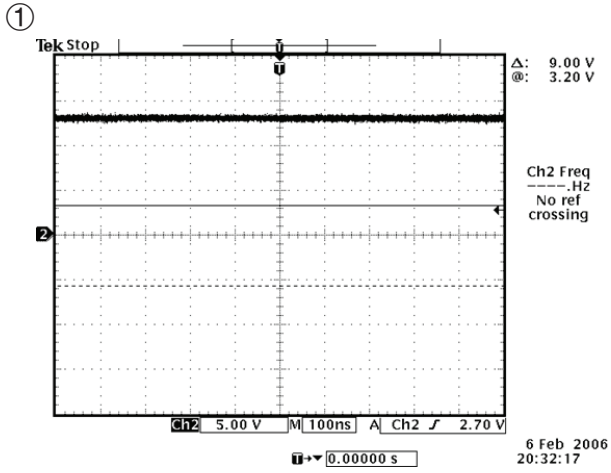
4-2. No Power

	<div style="text-align: center;">  <p>Main Board Front</p> </div> <pre> graph TD Q1[Does proper 13V appear at pin No. 2 of CN100? ① Does proper 5V appear at pin No. 6 and 7 of CN100? ②] Q2[Does proper 13V appear at C129? ① Does proper 5V appear at C108? ②] Q3[Does proper 5V appear at pin No.1 of Q100? ②] Q4[Does proper 1.2V appear at C135? ③] A1[Check IP Board] A2[Check related circuit of CN100] A3[Check related circuit of Q100] A4[Check related circuit of IC103] R1[Change main board for MICOM(IC203) problem] Q1 -- No --> A1 Q1 -- Yes --> Q2 Q2 -- No --> A2 Q2 -- Yes --> Q3 Q3 -- No --> A3 Q3 -- Yes --> Q4 Q4 -- No --> A4 Q4 -- Yes --> R1 </pre>
<p>Caution</p>	<p>Make sure to disconnect the power before working on the IP board.</p>

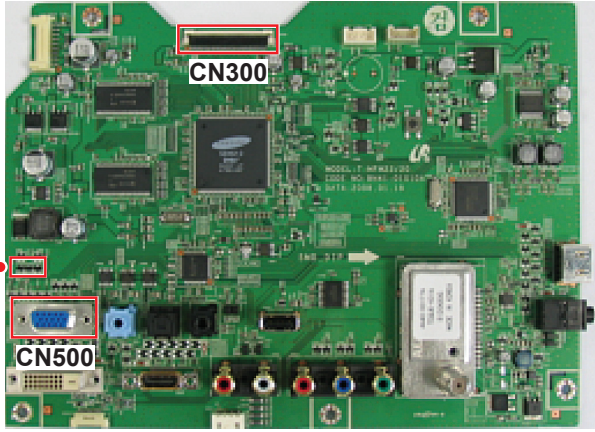
4-2-1. Circuit diagrams when the power does not turn on



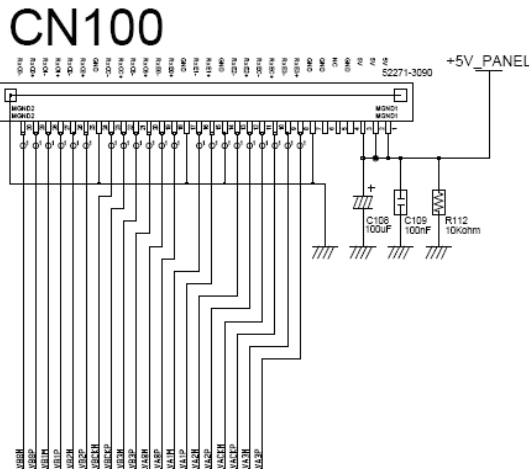
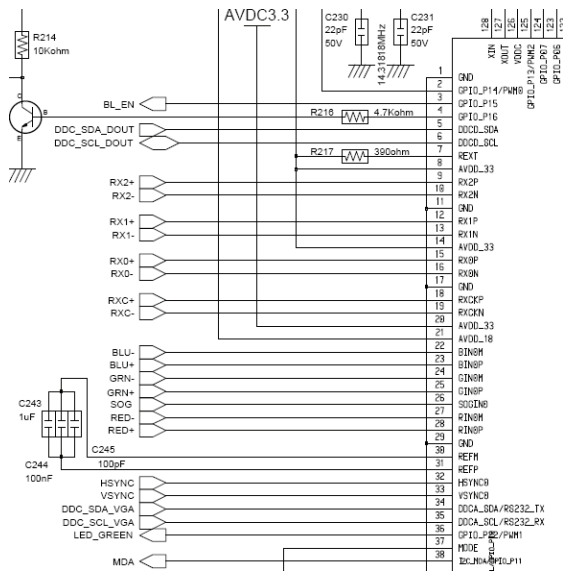
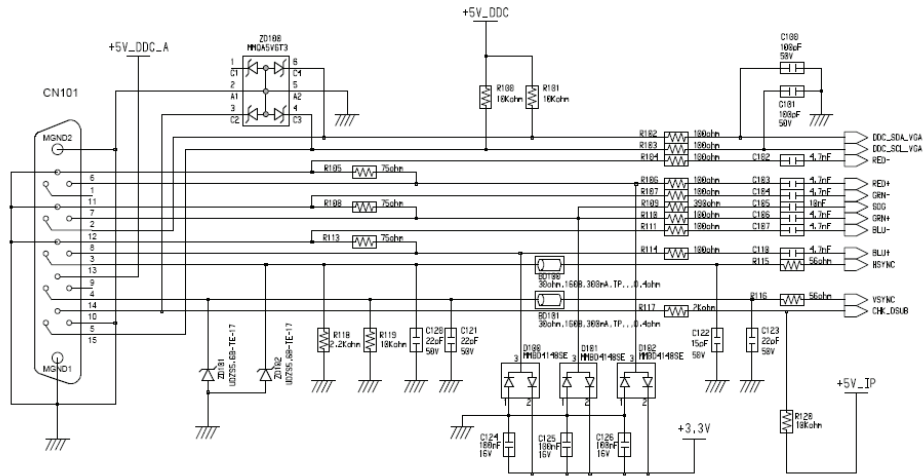
4. Troubleshooting



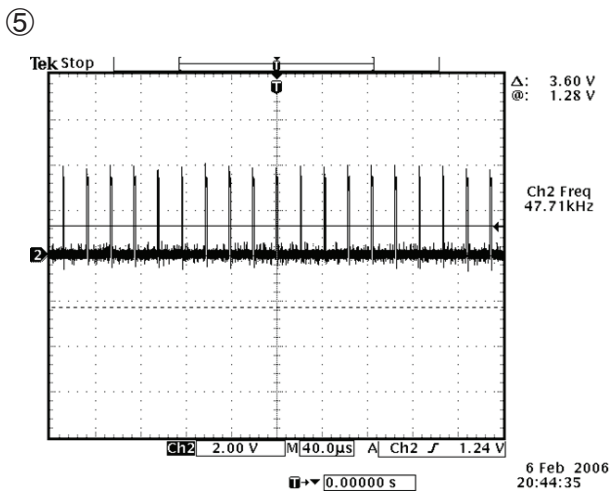
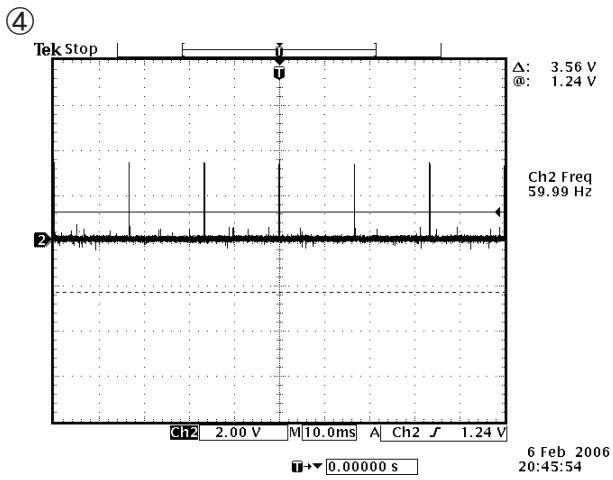
4-3. PC (ANALOG) No Screen

Diagnostics	<div style="text-align: center;">  <p>Main Board Front</p> </div> <pre> graph TD Q1[Does led persists green light after power on?] -- No --> A1[Check IP board] Q1 -- Yes --> Q2[Does proper 5V appear at pin No. 9 of CN500?] Q2 -- No --> A2[Check D-sub cable connection] Q2 -- Yes --> Q3[Does proper V and H-sync appear at C510 and C509? ④, ⑤] Q3 -- No --> A3[Check PC state] Q3 -- Yes --> Q4[Does proper clock signals appear at pin NO.11,12,23,24 of CN300?] Q4 -- No --> A4[Change main board because of scaler problem] Q4 -- Yes --> A5[Check connection between main board and panel. Change Panel.] </pre>
	Caution

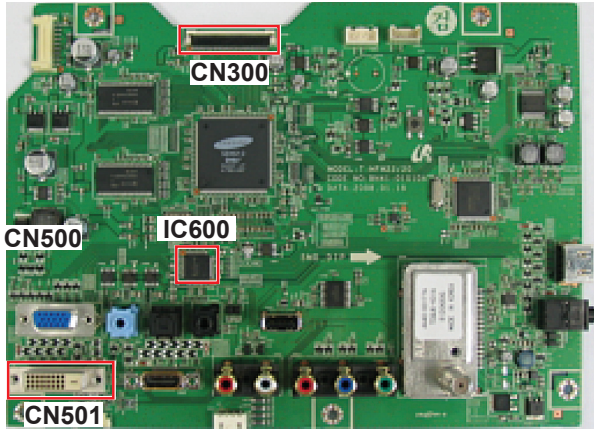
4-3-1. Circuit diagrams and waveforms (Analog) when no screen is displayed on the monitor



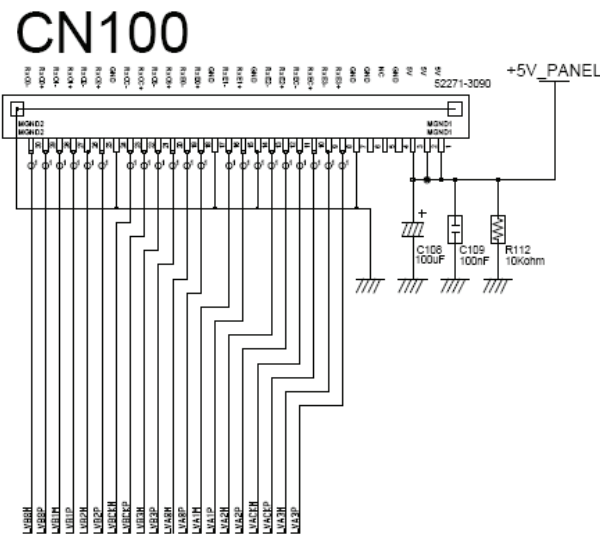
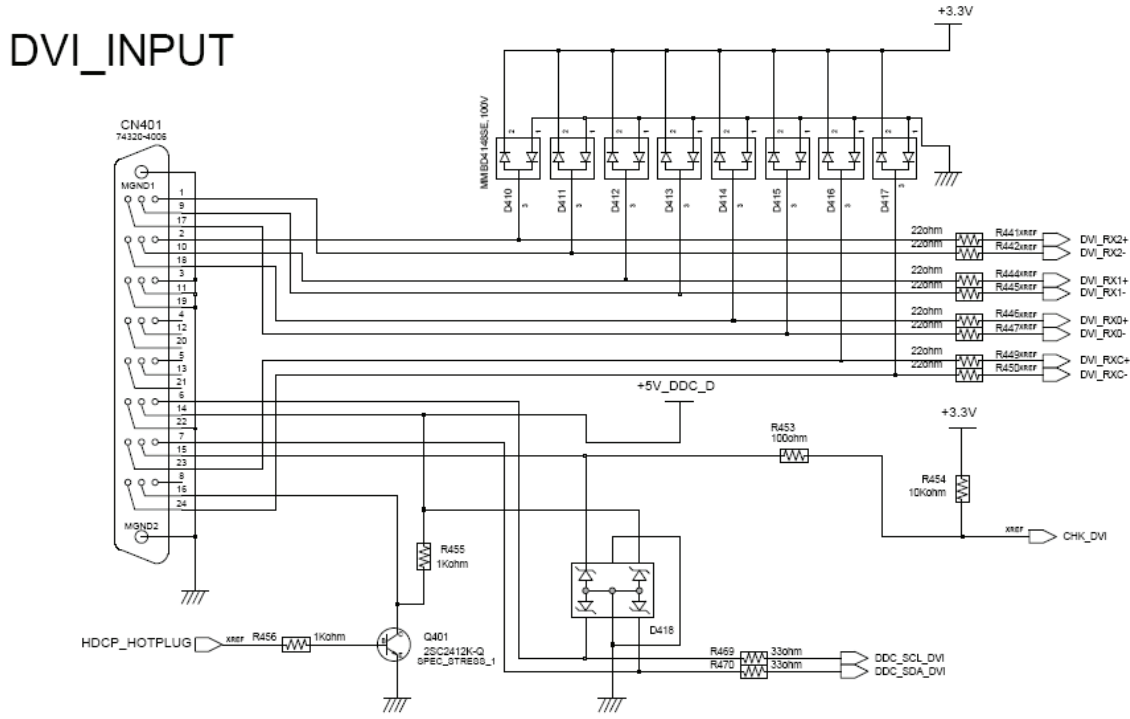
4-3-2. Waveforms when no screen is displayed (Analog PC)



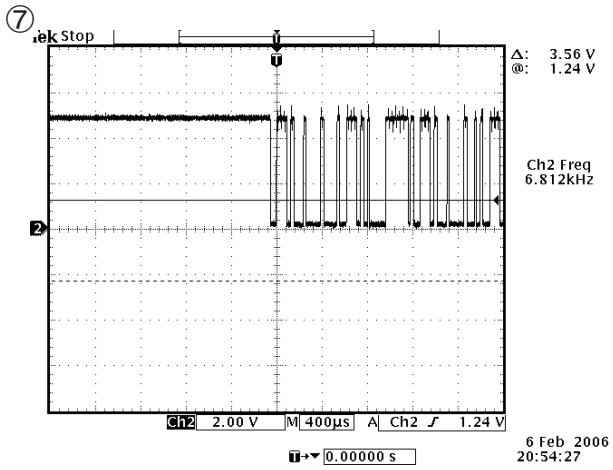
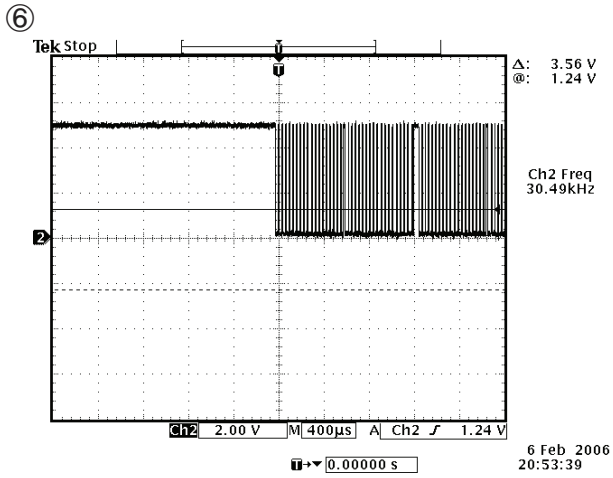
4-4. DVI No Screen

Diagnostics	<div style="text-align: center;">  <p>Main Board Front</p> </div> <pre> graph TD Q1[Does led persists green light after power on?] -- No --> A1[Check IP board] Q1 -- Yes --> Q2[Dose proper 5V appear at pin No. 14 of CN501?] Q2 -- No --> A2[Check DVI cable connection] Q2 -- Yes --> Q3[Does proper signals appear at pin No.6(SCL) ⑥ and No.7(SDA) ⑦ of CN501?] Q3 -- No --> A3[Check PC state] Q3 -- Yes --> Q4[Does proper clock signals appear at pin NO.38 and NO.39 of IC600?] Q4 -- No --> A4[Change IC600] Q4 -- Yes --> Q5[Does proper clock signals appear at pin NO.11,12,23,24 of CN300?] Q5 -- No --> A5[Change main board because of scaler problem] Q5 -- Yes --> A6[Check connection between main board and panel. Change Panel.] </pre>
	<p>Caution Make sure to disconnect the power before working on the IP board.</p>

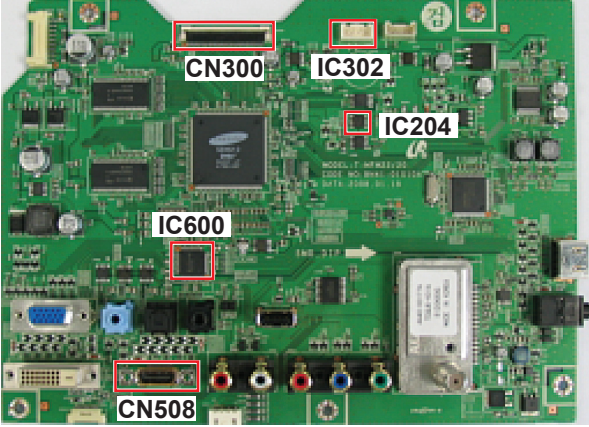
4-4-1. Circuit diagrams and waveforms (DVI No Screen) when no screen is displayed on the monitor



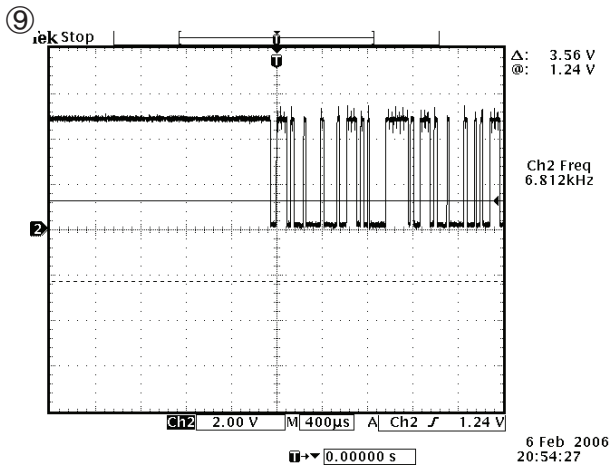
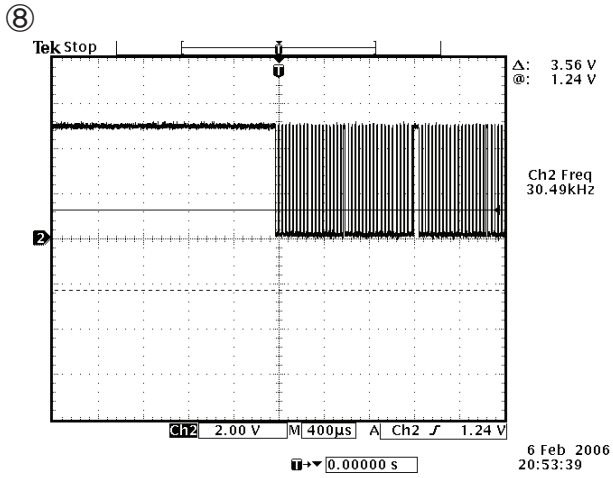
4-4-2. Waveforms when a blank screen is displayed (DVI No Screen)



4-5. HDMI1 No Screen

Diagnostics	<div style="text-align: center;">  <p>Main Board Front</p> </div> <pre> graph TD Q1[Does led persists green light after power on?] -- No --> A1[Check IP board] Q1 -- Yes --> Q2[Does proper 5V appear at pin No. 18 of CN508?] Q2 -- No --> A2[Check HDMI cable connection] Q2 -- Yes --> Q3[Does proper signals appear at pin No.15(SCL) ⑧ and No.16(SDA) ⑨ of CN508?] Q3 -- No --> A3[Change IC204] Q3 -- Yes --> Q4[Does proper clock signals appear at pin NO,53 and NO,54 of IC600?] Q4 -- No --> A4[Change IC600] Q4 -- Yes --> Q5[Does proper clock signals appear at pin NO.11,12,23,24 of CN300?] Q5 -- No --> A5[Change main board because of scaler problem] Q5 -- Yes --> A6[Check connection between main board and panel. Change Panel.] </pre>
	Caution



4-5-1. Waveforms when a blank screen is displayed (HDMI1 No Screen)



4-6. HDMI2 No Screen

Diagnostics	<div data-bbox="615 218 1203 646" style="text-align: center;"> </div> <div data-bbox="784 659 1040 695" style="text-align: center;"> <p>Main Board Front</p> </div> <div data-bbox="456 726 1357 1455"> <pre> graph TD Q1[Does led persists green light after power on?] -- No --> A1[Check IP board] Q1 -- Yes --> Q2[Does proper 5V appear at pin No. 18 of CN504?] Q2 -- No --> A2[Check HDMI cable connection] Q2 -- Yes --> Q3[Does proper signals appear at pin No.15(SCL) ⑧ and No.16(SDA) ⑨ of CN508?] Q3 -- No --> A3[Change IC204] Q3 -- Yes --> Q4[Does proper clock signals appear at pin NO,53 and NO,54 of IC600?] Q4 -- No --> A4[Change IC600] Q4 -- Yes --> Q5[Does proper clock signals appear at pin NO.11,12,23,24 of CN300?] Q5 -- No --> A5[Change main board because of scaler problem] Q5 -- Yes --> A6[Check connection between main board and panel. Change Panel.] </pre> </div>
	Caution

4-7. Faults and Corrective Actions

Fault Photo	Symptoms and Corrective Actions	Remarks
	<p>Symptoms: DVI signals are not recognized.</p> <p>Causes: This fault occurs when the PC does not recognize the mode information because the DVI DDC has not been input to the monitor.</p> <p>Corrective Actions: Input the DVI DDC to the monitor.</p>	<p>* Refer to the Training Manual for information on inputting the DVI DDC.</p>
	<p>Symptoms: When the monitor is turned on, only a full white pattern is displayed continually regardless of the signals.</p> <p>Causes: This fault occurs when only the lamp power is supplied and no video signals are input to the panel due to a fault or incorrect connections of the LVDS cable.</p> <p>Corrective Actions: Replace or reconnect the LVDS cable correctly so that video signals can be supplied to the panel.</p>	<p>* A full white pattern is a feature of the TN panel and is displayed when no video signals are supplied.</p>
	<p>Symptoms: When connecting the DVD, noise occurs on the screen.</p> <p>Causes: The HDCP key is not inserted.</p> <p>Corrective Actions: Enter the HDCP key. (See page 4-17.)</p>	

4-8. Adjustment

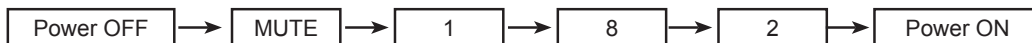
4-8-1. Service Instruction

1. Usually, a color TV-VCR needs only slight touch-up adjustment upon installation. Check the basic characteristics such as height, horizontal and vertical sync.
2. Use the specified test equipment or its equivalent.
3. Correct impedence matching is essential.
4. Avoid overload. Excessive signal from a sweep generator might overload the front-end of the TV. When inserting signal markers, do not allow the marker generator to distort test result.
5. Connect the TV only to an AC power source with voltage and frequency as specified on the backcover nameplate.
6. Do not attempt to connect or disconnect any wire while the TV is turned on. Make sure that the power cord is disconnected before replacing any parts.
7. To protect aganist shock hazard, use an isolation transform.

4-9. How to Access Service Mode

4-9-1. Entering Factory Mode

2. To enter "Service Mode" Press the remote -control keys in this sequence :
 - If you do not have Factory remote - control



- If you have Factory remote - control



- The buttons are active in the service mode.

1. Remote - Control Key : Power, Arrow Up, Arrow Down, Arrow Left
Arrow Right, Menu, Enter, Number Key(0~9)
2. Function - Control Key : Power, CH +, CH -, VOL +, VOL -, Menu, SOURCE (ENTER)

4-10. Service Adjustment

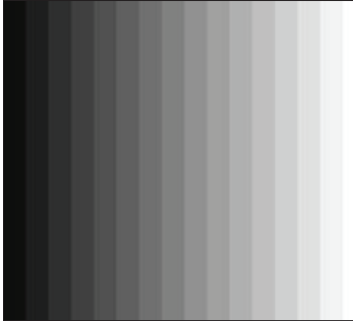
4-10-1. White Balance - Calibration

If picture color is wrong, do calibration first.

Equipment : MSPG, Patten : 16 gray

Execute calibration in Factory Mode

Source(PC): 1024*768/60Hz



(Gray patten)

4-10-2. White Balance - Adjustment

If picture color is wrong, check White Balance condition.

Equipment : CA210, Patten : Toshiba

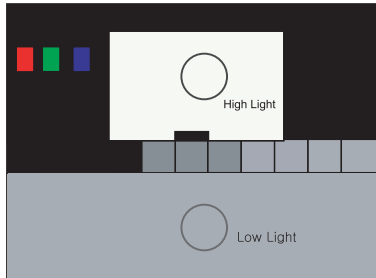
Adjust W/B in Factory Mode

Sub brightness and R/G/B Offset controls low light region

Sub contrast and R/G/B Gain controls high light region

Source: Component : 1280*720/60Hz

HDMI[DVI] : 1280*720/60Hz



Toshiba Patten

[Test Pattern : MSPG-945 Series Pattern #16]

*Color temperature
1500K +/-500, -6 ~-20 MPCD

*Color coordinate
H/L : 267/263 +/- 2 35.0 Ft +/- 2.0Ft
L/L : 270/260 +/- 3 1.5 Ft +/- 0.2Ft

4-10-3. Conditions for Measurement

1. On the basis of toshiba ABL pattern : High Light level (57 IRE)
- INPUT SIGNAL GENERATOR : MSPG-925LTH

* Mode NO 2 : 744X484@60 Hz
NO 6 : 1280X720@60 Hz
NO 21 : 1024X768@60 Hz

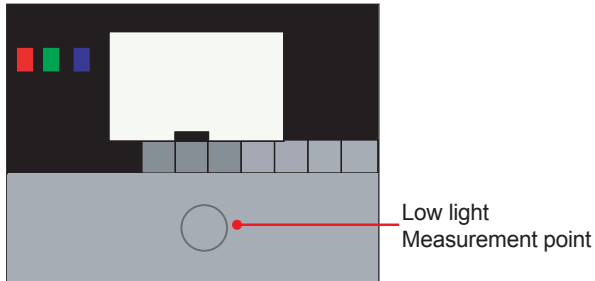
* Pattern NO 36 : 16 Color Pattern
NO 16 : Toshiba ABL Pattern

2. Optical measuring device : CA210 (FL)

Please use the MSPG-925 LTH generator for model LE26M51B/LE32M51B/LE40M51B/LE46M51B.

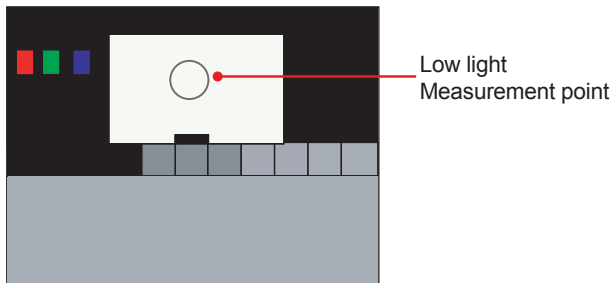
4-10-4. Method of Adjustment

1. Adjust the white balance of, Component and DVI Modes.
(AV→Component)
 - a) Set the input to the mode in which the adjustment will be made.
(RF→DTV→PC→DVI).
- * Input signal - VIDEO Mode : Model #2 (744*484 Mode), Pattern #16
 - DTV,DVI Mode : Model #6 (1280*720 Mode), Pattern #16
 - HDMI Mode: Model #6(1280*720 Mode), Pattern #16
- b) Enter factory color control, confirm the data.
- c) Adjust the low light. (Refer to table 1, 2 in adjustment position by mode)
 - Adjust sub - Brightness to set the 'Y' value.
 - Adjust red offset ('x') and blue offset ('y') to the color coordinates.



Picture 4-2 Toshiba ABL Pattern

- * Do not adjust green offset data.
 - d) Adjust the high light. (Refer to table 1, 2 in adjustment position by mode)
 - Adjust red gain ('x') and blue gain ('y') to the color coordinates.
- * Do not adjust the green gain and sub-contrast (Y) data.
 - d) Adjust the high light. (Refer to table 1, 2 in adjustment position by mode)
 - Adjust red gain ('x') and blue gain ('y') to the color coordinates.
- * Do not adjust the green gain and sub-contrast (Y) data.



Picture 4-3 Toshiba ABL Pattern

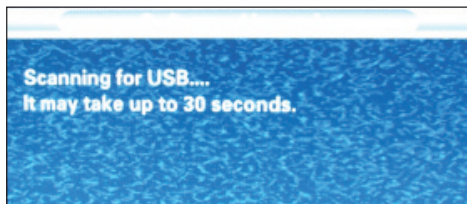
4-11. Software Upgrade

4-11-1. Program Upgrading - MAIN

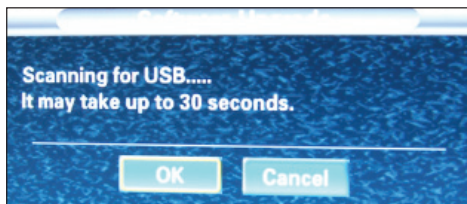
1. If you press MENU → SETUP → SW Upgrade, you'll see below picture



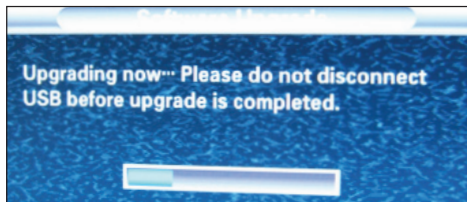
2. Press ENTER, then you'll see below picture.



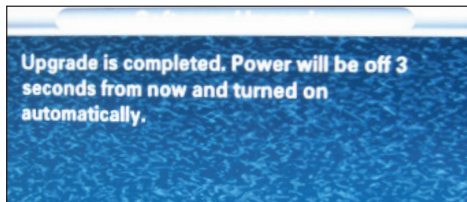
3. Press ENTER



4. Micom program is now upgrading as below picture.

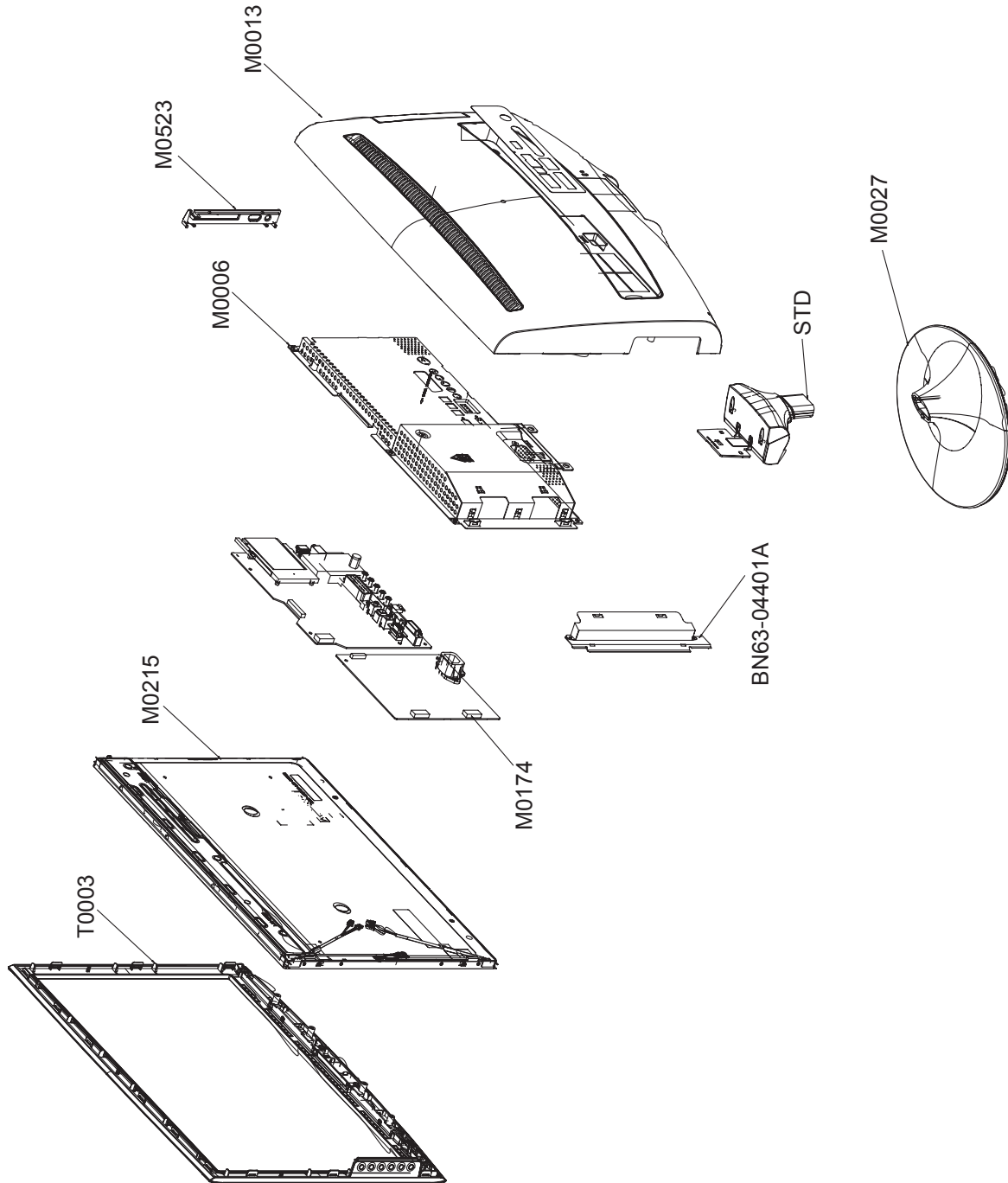


5. Upgrade is completed.



5. Exploded View & Part List

5-1. LS22TDNSUV/ZC Exploded View



5-1-1. LS22DNSUV/ZC Parts List

Location No.	Code No.	Description & Specification	Q'ty	SA/SNA	Remark
M0006	BN96-08149B	ASSY SHIELD P-COVER;LS22TD(MFM),USA_KOR,	1	S.N.A	
M0013	BN96-07408C	ASSY COVER P-REAR;LS22TD,USA_KOR,PMMA AB	1	S.A	
M0027	BN96-07345B	ASSY STAND P-BASE;LS22TW,ABS HB PMMA,RD0	1	S.A	
M0174	BN44-00177C	IP BOARD;SIP-20224L,T 22" MFM,1.4 ~2.8mA	1	S.A	
M0215	BN07-00427A	LCD-PANEL;M220Z1-L03	1	S.A	
M0523	BN96-07409B	ASSY COVER P-JACK;LS22TD,ADC(USA),PC+ABS	1	S.A	
STD	BN96-07347D	ASSY STAND P-BODY;LS22TD,PMMA ABS HB, SM	1	S.A	
T0003	BN96-07407E	ASSY COVER P-FRONT;LS22TD(T220HD),USA,PM	1	S.A	
	BN63-04401A	SHIELD-LAMP;T(22W MFM),SPTE,T 0.3	1	S.N.A	

5-2. LS22TDNSUV/ZC Parts List

Service Bom (SA: SERVICE AVAILABLE, SNA: SERVICE NOT AVAILABLE)

Level	Location No.	Code No.	Description & Specification	Q'ty	SA/SNA	Remark
		LS22TDNSUV/ ZC	T220HD,WSS1/S22A6-LTD,22,LCD-MO,CANADA			
0.1	M0001	BN90-01610D	ASSY COVER FRONT;LS22TD_MFM,TOC,ROSE BLA	1	S.N.A	
..2	T0175	BN96-06823C	ASSY SPEAKER P;16ohm,T-project,MFM,3W,11	1	S.A	
...3		BN83-00781A	CKD-SPEAKER;Bordeaux26 Screw,pi3 * 6mm	8	S.N.A	
...3		BN83-00813A	CKD-SPEAKER;Bordeaux New Rubber,pi 15 x	4	S.N.A	
...3		BN83-01026A	CKD-SPEAKER;L530 32" Fullrange Sleeve-#1	2	S.N.A	
...3		BN83-01027A	CKD-SPEAKER;L530 32" Fullrange Sleeve-#1	2	S.N.A	
...3		BN83-01322A	CKD-SPEAKER;T-MFM Speaker Unit,63mm X 35	2	S.N.A	
...3		BN83-01323A	CKD-SPEAKER;T-MFM Speaker Holder,95mm X	2	S.N.A	
...3		BN83-01324A	CKD-SPEAKER;T-MFM Speaker Wire Ass'y,4Pi	1	S.N.A	
...3		BN83-01325A	CKD-SPEAKER;T-MFM Speaker Cushion,52 X23	2	S.N.A	
...3		BN83-01326A	CKD-SPEAKER;T-MFM Speaker Label,20mmX10m	1	S.N.A	
..2	T0003	BN96-07407E	ASSY COVER P-FRONT;LS22TD(T220HD),USA,PM	1	S.A	
...3	M0081	6003-000282	SCREW-TAPTITE;BH,+,-,B,M3,L8,ZPC(BLK),SW	2	S.N.A	
...3	M0960	BN61-03902A	HOLDER-BOSS;T220,PMMA+ABS,HB,WH15	1	S.N.A	
...3	CCM1	BN63-02183D	COVER-SHEET;Rhcm,PE Vinyl,T0.05,680mm,20	1	S.N.A	
...3	M0112	BN63-04386N	COVER-FRONT;T220HD(USA),PMMA+ABS,HB,ROSE	1	S.N.A	
...3		BN64-00843A	KNOB-GUIDE;T220HD,PMMA ABS,HB,BK23,H/GLO	1	S.N.A	
...3	T0022	BN64-00845A	KNOB CONTROL;T220HD,PMMA ABS,HB,BK23,H/G	1	S.N.A	
...3	CIS1	BN74-00021A	TAPE-FILAMENT;Filament tape,clear,#8915,	0.18	S.N.A	
...3	M0145	BN96-07556D	ASSY BOARD P-FUNCTION;T220HD,CT5000-5800	1	S.A	
....4		BN94-02473F	ASSY PCB MAIN-FUNCTION PCB;LS22TDSSUMZD	1	S.N.A	
.....5	M2893	BN39-01051B	LEAD CONNECTOR;T-MFM24,UL1571#30,UL1571#	1	S.A	
.....5	T0174	BN97-02920J	ASSY SMD;LS22TDSSUMZD	1	S.N.A	
.....6	R6	2007-000070	R-CHIP;0ohm,5%,1/10W,TP,1608	1	S.N.A	
.....6	R7	2007-000076	R-CHIP;330ohm,5%,1/10W,TP,1608	1	S.A	
.....6	R1	2007-000121	R-CHIP;820ohm,5%,1/10W,TP,1608	1	S.N.A	
.....6	R4	2007-000121	R-CHIP;820ohm,5%,1/10W,TP,1608	1	S.N.A	
.....6	R2	2007-000124	R-CHIP;2.2Kohm,5%,1/10W,TP,1608	1	S.N.A	
.....6	R5	2007-000124	R-CHIP;2.2Kohm,5%,1/10W,TP,1608	1	S.N.A	
.....6	C3	2203-000189	C-CER,CHIP;100nF,+80-20%,25V,Y5V,1608	1	S.N.A	
.....6	C4	2203-000189	C-CER,CHIP;100nF,+80-20%,25V,Y5V,1608	1	S.N.A	
.....6	T0313	3404-001209	SWITCH-TACT;12VDC,50mA,250gf,4.5x4.5x1.5	1	S.A	
.....6	T0313	3404-001209	SWITCH-TACT;12VDC,50mA,250gf,4.5x4.5x1.5	1	S.A	
.....6	T0313	3404-001209	SWITCH-TACT;12VDC,50mA,250gf,4.5x4.5x1.5	1	S.A	
.....6	T0313	3404-001209	SWITCH-TACT;12VDC,50mA,250gf,4.5x4.5x1.5	1	S.A	
.....6	T0313	3404-001209	SWITCH-TACT;12VDC,50mA,250gf,4.5x4.5x1.5	1	S.A	
.....6	T0313	3404-001209	SWITCH-TACT;12VDC,50mA,250gf,4.5x4.5x1.5	1	S.A	
.....6	T0077	BN41-01011A	PCB MAIN;T220HD,FR-4,2L,PCB1.0,1.0T	1	S.N.A	
.....6	D3	1405-001233	VARISTOR;30Vdc,5A,1.6x0.8x0.8mm,TP	1	S.A	
.....6	D4	1405-001233	VARISTOR;30Vdc,5A,1.6x0.8x0.8mm,TP	1	S.A	
....4		BN94-02473K	ASSY PCB MAIN-IR PCB;LS22TDSSUMZD	1	S.N.A	
.....5	M2893	BN39-01052B	LEAD CONNECTOR;T200HD,UL1571#30,UL,5P,20	1	S.A	
.....5	M2893	BN39-01053A	LEAD CONNECTOR;T220D,UL1571#30,8P,200mm,	1	S.A	
.....5	T0174	BN97-02902J	ASSY SMD;LS22TDSSUMZD	1	S.N.A	

5. Exploded View & Part List

Level	Location No.	Code No.	Description & Specification	Q'ty	SA/SNA	Remark
.....6	D1	0403-000510	DIODE-ZENER;MTZJ6.2B,5.96-6.27V,500mW,DO	1	S.A	
.....6	D0254	0609-001204	MODULE REMOCON;HORIZONTAL,6.5mm,TR	1	S.N.A	
.....6	R1	2001-000290	R-CARBON;10Kohm,5%,1/8W,AA,TP,1.8x3.2mm	1	S.N.A	
.....6	C	2401-001507	C-AL;47uF,20%,16V,GP,TP,6.3x5,5	1	S.A	
.....6	T0077	BN41-01013A	PCB MAIN;T220D,FR-1,1L,PCB1.0,1.6T	1	S.N.A	
....4		BN94-02473N	ASSY PCB MAIN-POWER PCB;LS22TDSSUMZD	1	S.N.A	
.....5		BN81-02334A	A/S-DOUBLE SIDE TAPE;T MFM POWER,103*52,	1	S.N.A	
.....5	T0174	BN97-02902K	ASSY SMD;LS22TDSSUMZD	1	S.N.A	
.....6	R1	2007-000819	R-CHIP;390Kohm,5%,1/10W,TP,1608	1	S.N.A	
.....6	C1	2203-000125	C-CER,CHIP;1.2nF,10%,50V,X7R,TP,1608,-	1	S.A	
.....6	C5	2203-005065	C-CER,CHIP;1000nF,+80-20%,10V,Y5V,1608	1	S.N.A	
.....6	CN330	3711-002162	HEADER-BOARD TO CABLE;BOX,2P,1R,1.25mm,S	1	S.A	
.....6	CN330	3711-005935	HEADER-BOARD TO CABLE;BOX,4P,1R,1mm,SMD-	1	S.A	
.....6	CN906	3711-006471	CONNECTOR-HEADER;BOX,5P,1R,1mm,SMD-A,AU,	1	S.N.A	
.....6	IC125	BN13-00007A	IC ASIC;ADA03,6,2.2 TO 6.5 V,-20 TO +75	1	S.N.A	
.....6	T0077	BN41-01012A	PCB MAIN;T220D,FR-4,2L,PCB1.0,1.6T	1	S.N.A	
...3	M0102	BN96-07569B	ASSY BLU P;T220HD,A7-10040180-A0,WHITE,B	1	S.A	
0.1	M0002	BN90-01611B	ASSY COVER REAR;LS22TD_MFM,USA	1	S.N.A	
..2	M0013	BN96-07408C	ASSY COVER P-REAR;LS22TD,USA_KOR,PMMA AB	1	S.A	
...3	M0081	6003-000282	SCREW-TAPTITE;BH,+,-,B,M3,L8,ZPC(BLK),SW	2	S.N.A	
...3		BN61-03947A	GUIDE-CONTROL;T200D / T220D / T240D / T2	2	S.N.A	
...3	CCM1	BN63-02183D	COVER-SHEET;RhcM,PE Vinyl,T0.05,680mm,20	0.5	S.N.A	
...3	M0006	BN63-04408A	COVER-REAR;T220HD,PMMA ABS,HB,BK23,H/GLO	1	S.N.A	
...3	T0071	BN64-00875A	INLAY-TERMINAL;T220D,PS SHEET,T0.3,-,-,-	1	S.N.A	
...3	T0530	BN96-08054A	ASSY COVER P-DOOR CONTROL;LS22TD,PMMA AB	1	S.A	
....4	CCM1	BN63-02183B	COVER-SHEET;RhcM,PE Vinyl,T0.05,150mm,20	0.07	S.N.A	
....4	T0151	BN64-00859B	DOOR-CONTROL;LS22TD(MFM),PMMA ABS HB,BK2	1	S.N.A	
..2	M0081	6003-001086	SCREW-TAPTITE;BH,+,-,B,M3,L12,ZPC(BLK),S	4	S.A	
0.1	M0107	BN91-01517P	ASSY LCD-CTZ;LS22PEB*	1	S.N.A	
..2	M0215	BN07-00427A	LCD-PANEL;M220Z1-L03	1	S.A	
0.1	M0112	BN91-02209B	ASSY SHIELD;LS22TD_MFM,TOC,USA	1	S.N.A	
..2	M0523	BN96-07409B	ASSY COVER P-JACK;LS22TD,ADC(USA),PC+ABS	1	S.A	
...3	T0279	BN63-04402A	COVER-JACK;T220D / T200D,PC+ABS,5V,BK23,	1	S.N.A	
...3	T0578	BN64-00862B	INLAY AV;T220HD,PS SHEET,T0.5	1	S.N.A	
..2	M0090	BN96-08017A	ASSY SHIELD P-LAMP;LS22TD(MFM),SPTE,T 0.	1	S.N.A	
...3		BN63-04401A	SHIELD-LAMP;T(22W MFM),SPTE,T 0.3	1	S.N.A	
...3	M0125	BN63-04770A	SHIELD-PANEL;LS22TD,SPTE,T0.3	1	S.N.A	
..2	CIS1	BN74-00021A	TAPE-FILAMENT;Filament tape,clear,#8915,	0.06	S.N.A	
..2	CIS1	BN74-00021A	TAPE-FILAMENT;Filament tape,clear,#8915,	0.06	S.N.A	
0.1	M0017	BN91-02236A	ASSY CHASSIS;LS22DNSUV/ZA	1	S.N.A	
..2	M0081	6003-001439	SCREW-TAPTITE;BH,+,-,S,M4,L8,ZPC(WHT),SW	1	S.N.A	
..2	M0174	BN44-00177C	IP BOARD;SIP-20224L,T 22" MFM,1.4 ~2.8mA	1	S.A	
..2	M0014	BN94-01764A	ASSY PCB MAIN-CTZ;LS22DNSUV/ZA	1	S.A	
...3	SUB05	0202-001477	SOLDER-CREAM;LST309-M,-,D20~45um,96.5Sn/	2.104	S.N.A	
...3	T0245	0202-001608	SOLDER-WIRE FLUX;LFC7-107,D0.8,99.3Sn/0.	0.25	S.N.A	
...3	CN500	3701-001385	CONNECTOR-DSUB;15P,3R,FEMALE,STRAIGHT,AU	1	S.A	
...3	CN501	3701-001386	CONNECTOR-DVI;24P,3R,FEMALE,AU	1	S.A	

5. Exploded View & Part List

Level	Location No.	Code No.	Description & Specification	Q'ty	SA/SNA	Remark
...3	CN504	3701-001388	CONNECTOR-HDMI;20P,Phosphor Bronze,ANGLE	1	S.A	
...3	CN906	3707-001081	CONNECTOR-OPTICAL;STRAIGHT,SPDIF	1	S.A	
...3	JA330	3722-000143	JACK-PHONE;1P(VER),AG,BLK,ANGLE	1	S.A	
...3	JA330	3722-001061	JACK-PHONE;1P,3.6PI,AG,BLK,N	1	S.A	
...3	JA330	3722-002176	JACK-PHONE;7P/4C,SN,L-BLU,STRAIGHT	1	S.A	
...3	CN502	3722-002516	JACK-USB;4P/1C,AU30U,BLK,STRAIGHT,A TYPE	1	S.A	
...3	CIS3	AA40-00177A	TUNER;TDQU6-K01A,TDQU6-K01A,NTSC/ATSC,18	1	S.A	
...3	T0174	BN97-02148A	ASSY SMD;LS22TDNSUVZA	1	S.N.A	
...4	D400	0401-001056	DIODE-SWITCHING;MMBD4148SE,100V,200mA,SO	1	S.A	
...4	D500	0401-001056	DIODE-SWITCHING;MMBD4148SE,100V,200mA,SO	1	S.A	
...4	D501	0401-001056	DIODE-SWITCHING;MMBD4148SE,100V,200mA,SO	1	S.A	
...4	D502	0401-001056	DIODE-SWITCHING;MMBD4148SE,100V,200mA,SO	1	S.A	
...4	D514	0401-001056	DIODE-SWITCHING;MMBD4148SE,100V,200mA,SO	1	S.A	
...4	D515	0401-001056	DIODE-SWITCHING;MMBD4148SE,100V,200mA,SO	1	S.A	
...4	D517	0401-001056	DIODE-SWITCHING;MMBD4148SE,100V,200mA,SO	1	S.A	
...4	D518	0401-001056	DIODE-SWITCHING;MMBD4148SE,100V,200mA,SO	1	S.A	
...4	D519	0401-001056	DIODE-SWITCHING;MMBD4148SE,100V,200mA,SO	1	S.A	
...4	D520	0401-001056	DIODE-SWITCHING;MMBD4148SE,100V,200mA,SO	1	S.A	
...4	D521	0401-001056	DIODE-SWITCHING;MMBD4148SE,100V,200mA,SO	1	S.A	
...4	D522	0401-001056	DIODE-SWITCHING;MMBD4148SE,100V,200mA,SO	1	S.A	
...4	D523	0401-001056	DIODE-SWITCHING;MMBD4148SE,100V,200mA,SO	1	S.A	
...4	D524	0401-001056	DIODE-SWITCHING;MMBD4148SE,100V,200mA,SO	1	S.A	
...4	D541	0401-001056	DIODE-SWITCHING;MMBD4148SE,100V,200mA,SO	1	S.A	
...4	D543	0401-001056	DIODE-SWITCHING;MMBD4148SE,100V,200mA,SO	1	S.A	
...4	D544	0401-001056	DIODE-SWITCHING;MMBD4148SE,100V,200mA,SO	1	S.A	
...4	D545	0401-001056	DIODE-SWITCHING;MMBD4148SE,100V,200mA,SO	1	S.A	
...4	D546	0401-001056	DIODE-SWITCHING;MMBD4148SE,100V,200mA,SO	1	S.A	
...4	D547	0401-001056	DIODE-SWITCHING;MMBD4148SE,100V,200mA,SO	1	S.A	
...4	D548	0401-001056	DIODE-SWITCHING;MMBD4148SE,100V,200mA,SO	1	S.A	
...4	D549	0401-001056	DIODE-SWITCHING;MMBD4148SE,100V,200mA,SO	1	S.A	
...4	D550	0401-001056	DIODE-SWITCHING;MMBD4148SE,100V,200mA,SO	1	S.A	
...4	D551	0401-001056	DIODE-SWITCHING;MMBD4148SE,100V,200mA,SO	1	S.A	
...4	D553	0401-001056	DIODE-SWITCHING;MMBD4148SE,100V,200mA,SO	1	S.A	
...4	D554	0401-001056	DIODE-SWITCHING;MMBD4148SE,100V,200mA,SO	1	S.A	
...4	D556	0401-001056	DIODE-SWITCHING;MMBD4148SE,100V,200mA,SO	1	S.A	
...4	D557	0401-001056	DIODE-SWITCHING;MMBD4148SE,100V,200mA,SO	1	S.A	
...4	D558	0401-001056	DIODE-SWITCHING;MMBD4148SE,100V,200mA,SO	1	S.A	
...4	D559	0401-001056	DIODE-SWITCHING;MMBD4148SE,100V,200mA,SO	1	S.A	
...4	D560	0401-001056	DIODE-SWITCHING;MMBD4148SE,100V,200mA,SO	1	S.A	
...4	D561	0401-001056	DIODE-SWITCHING;MMBD4148SE,100V,200mA,SO	1	S.A	
...4	D562	0401-001056	DIODE-SWITCHING;MMBD4148SE,100V,200mA,SO	1	S.A	
...4	D563	0401-001056	DIODE-SWITCHING;MMBD4148SE,100V,200mA,SO	1	S.A	
...4	D101	0401-001099	DIODE-SWITCHING;1N4148WS,75V,150mA,SOD-3	1	S.N.A	
...4	D102	0401-001099	DIODE-SWITCHING;1N4148WS,75V,150mA,SOD-3	1	S.N.A	
...4	D103	0401-001099	DIODE-SWITCHING;1N4148WS,75V,150mA,SOD-3	1	S.N.A	
...4	D104	0401-001099	DIODE-SWITCHING;1N4148WS,75V,150mA,SOD-3	1	S.N.A	
...4	D105	0401-001099	DIODE-SWITCHING;1N4148WS,75V,150mA,SOD-3	1	S.N.A	
...4	D300	0401-001099	DIODE-SWITCHING;1N4148WS,75V,150mA,SOD-3	1	S.N.A	
...4	D106	0402-001098	DIODE-RECTIFIER;SK34,40V,3A,SMC,TP	1	S.N.A	
...4	D100	0403-000002	DIODE-ZENER;VLZ5V6B,5.45/5.73V,500mW,SOD	1	S.A	
...4	D525	0403-000002	DIODE-ZENER;VLZ5V6B,5.45/5.73V,500mW,SOD	1	S.A	

5. Exploded View & Part List

Level	Location No.	Code No.	Description & Specification	Q'ty	SA/SNA	Remark
...4	D564	0403-000002	DIODE-ZENER;VLZ5V6B,5.45/5.73V,500mW,SOD	1	S.A	
...4	D565	0403-000002	DIODE-ZENER;VLZ5V6B,5.45/5.73V,500mW,SOD	1	S.A	
...4	D507	0403-000771	DIODE-ZENER;VLZ6V2B,5.96-6.27V,500mW,SOD	1	S.A	
...4	D538	0403-000771	DIODE-ZENER;VLZ6V2B,5.96-6.27V,500mW,SOD	1	S.A	
...4	D539	0403-000771	DIODE-ZENER;VLZ6V2B,5.96-6.27V,500mW,SOD	1	S.A	
...4	D506	0403-001052	DIODE-ZENER;RD8.2MB,7.7-8.7V,200mW,SOT-2	1	S.A	
...4	D509	0403-001052	DIODE-ZENER;RD8.2MB,7.7-8.7V,200mW,SOT-2	1	S.A	
...4	D510	0403-001052	DIODE-ZENER;RD8.2MB,7.7-8.7V,200mW,SOT-2	1	S.A	
...4	D511	0403-001052	DIODE-ZENER;RD8.2MB,7.7-8.7V,200mW,SOT-2	1	S.A	
...4	D512	0403-001052	DIODE-ZENER;RD8.2MB,7.7-8.7V,200mW,SOT-2	1	S.A	
...4	D513	0403-001052	DIODE-ZENER;RD8.2MB,7.7-8.7V,200mW,SOT-2	1	S.A	
...4	D516	0403-001052	DIODE-ZENER;RD8.2MB,7.7-8.7V,200mW,SOT-2	1	S.A	
...4	D528	0403-001052	DIODE-ZENER;RD8.2MB,7.7-8.7V,200mW,SOT-2	1	S.A	
...4	D529	0403-001052	DIODE-ZENER;RD8.2MB,7.7-8.7V,200mW,SOT-2	1	S.A	
...4	D531	0403-001052	DIODE-ZENER;RD8.2MB,7.7-8.7V,200mW,SOT-2	1	S.A	
...4	D532	0403-001052	DIODE-ZENER;RD8.2MB,7.7-8.7V,200mW,SOT-2	1	S.A	
...4	D533	0403-001052	DIODE-ZENER;RD8.2MB,7.7-8.7V,200mW,SOT-2	1	S.A	
...4	D534	0403-001052	DIODE-ZENER;RD8.2MB,7.7-8.7V,200mW,SOT-2	1	S.A	
...4	D540	0403-001052	DIODE-ZENER;RD8.2MB,7.7-8.7V,200mW,SOT-2	1	S.A	
...4	D542	0403-001052	DIODE-ZENER;RD8.2MB,7.7-8.7V,200mW,SOT-2	1	S.A	
...4	D200	0403-001411	DIODE-ZENER;- ,5.49-5.73V,200mW,SOD-323,T	1	S.N.A	
...4	D401	0403-001425	DIODE-ZENER;BZX84C33,31-35V,350mW,SOT-23	1	S.A	
...4	D505	1405-001233	VARISTOR;30Vdc,5A,1.6x0.8x0.8mm,TP	1	S.A	
...4	D508	1405-001233	VARISTOR;30Vdc,5A,1.6x0.8x0.8mm,TP	1	S.A	
...4	D535	1405-001233	VARISTOR;30Vdc,5A,1.6x0.8x0.8mm,TP	1	S.A	
...4	D552	1405-001233	VARISTOR;30Vdc,5A,1.6x0.8x0.8mm,TP	1	S.A	
...4	D555	1405-001233	VARISTOR;30Vdc,5A,1.6x0.8x0.8mm,TP	1	S.A	
...4	D566	1405-001233	VARISTOR;30Vdc,5A,1.6x0.8x0.8mm,TP	1	S.A	
...4	D700	1405-001233	VARISTOR;30Vdc,5A,1.6x0.8x0.8mm,TP	1	S.A	
...4	D701	1405-001233	VARISTOR;30Vdc,5A,1.6x0.8x0.8mm,TP	1	S.A	
...4	D702	1405-001233	VARISTOR;30Vdc,5A,1.6x0.8x0.8mm,TP	1	S.A	
...4	D705	1405-001233	VARISTOR;30Vdc,5A,1.6x0.8x0.8mm,TP	1	S.A	
...4	D706	1405-001233	VARISTOR;30Vdc,5A,1.6x0.8x0.8mm,TP	1	S.A	
...4	D503	0406-001200	DIODE-TVSR;RCLAMP0504F,6/-V,150W,SC-70	1	S.A	
...4	D526	0407-000123	DIODE-ARRAY;DAN202K,80V,100mA,CA2-3,SOT-	1	S.N.A	
...4	D527	0407-000123	DIODE-ARRAY;DAN202K,80V,100mA,CA2-3,SOT-	1	S.N.A	
...4	D530	0407-000123	DIODE-ARRAY;DAN202K,80V,100mA,CA2-3,SOT-	1	S.N.A	
...4	Q101	0501-000434	TR-SMALL SIGNAL;KTC3875S-GR,NPN,150mW,SO	1	S.A	
...4	Q400	0501-000445	TR-SMALL SIGNAL;KTC3875S-Y,NPN,150mW,SOT	1	S.A	
...4	Q501	0501-000445	TR-SMALL SIGNAL;KTC3875S-Y,NPN,150mW,SOT	1	S.A	
...4	Q504	0501-000445	TR-SMALL SIGNAL;KTC3875S-Y,NPN,150mW,SOT	1	S.A	
...4	Q102	0501-002080	TR-SMALL SIGNAL;2SC2412K,NPN,200mW,SC-59	1	S.A	
...4	Q103	0501-002080	TR-SMALL SIGNAL;2SC2412K,NPN,200mW,SC-59	1	S.A	
...4	Q104	0501-002080	TR-SMALL SIGNAL;2SC2412K,NPN,200mW,SC-59	1	S.A	
...4	Q105	0501-002080	TR-SMALL SIGNAL;2SC2412K,NPN,200mW,SC-59	1	S.A	
...4	Q108	0501-002080	TR-SMALL SIGNAL;2SC2412K,NPN,200mW,SC-59	1	S.A	
...4	Q300	0501-002080	TR-SMALL SIGNAL;2SC2412K,NPN,200mW,SC-59	1	S.A	
...4	Q409	0505-000110	FET-SILICON;2N7002,N,60V,115mA,7.5ohm,0.	1	S.A	
...4	Q409	0505-000110	FET-SILICON;2N7002,N,60V,115mA,7.5ohm,0.	1	S.A	
...4	Q409	0505-000110	FET-SILICON;2N7002,N,60V,115mA,7.5ohm,0.	1	S.A	
...4	Q409	0505-001170	FET-SILICON;SI9933ADY-T1,P,-20V,3.4A,0.0	1	S.A	

5. Exploded View & Part List

Level	Location No.	Code No.	Description & Specification	Q'ty	SA/SNA	Remark
....4	Q409	0505-001170	FET-SILICON;SI9933ADY-T1,P,-20V,3.4A,0.0	1	S.A	
....4	Q409	0505-002169	FET-SILICON;Si4435BDY-T1-E3,P,-30V,-9.1A	1	S.N.A	
....4	IC104	0801-002633	IC-CMOS LOGIC;7WBD3125,2bit BUS SWITCH,S	1	S.A	
....4	IC104	0801-002633	IC-CMOS LOGIC;7WBD3125,2bit BUS SWITCH,S	1	S.A	
....4	IC106	1001-001513	IC-VIDEO SWITCH;TMDS351PAG,TQFP,64P,9x9m	1	S.A	
....4	IC110	1006-001076	IC-DRIVER/RECEIVER;MAX232ECWE+T,SOP,16P,	1	S.A	
....4	IC112	1103-001310	IC-EEPROM;24LC02B,256X8BIT,SOIC,8P,3.91X	1	S.N.A	
....4	IC112	1103-001310	IC-EEPROM;24LC02B,256X8BIT,SOIC,8P,3.91X	1	S.N.A	
....4	IC112	1103-001310	IC-EEPROM;24LC02B,256X8BIT,SOIC,8P,3.91X	1	S.N.A	
....4	IC112	1103-001310	IC-EEPROM;24LC02B,256X8BIT,SOIC,8P,3.91X	1	S.N.A	
....4	IC112	1103-001406	IC-EEPROM;AT24C512BN-SH25-T,512Kbit,64Kx	1	S.A	
....4	IC200	1105-001838	IC-DDR SDRAM;EM6A9160TS0A-5G,DDR SDRAM,1	1	S.A	
....4	IC201	1105-001838	IC-DDR SDRAM;EM6A9160TS0A-5G,DDR SDRAM,1	1	S.A	
....4	DU410	1201-000166	IC-OP AMP;LM358,SOP,ST,8P,150MIL,DUAL,10	1	S.A	
....4	T0085	1201-002487	IC-AUDIO AMP;MAX9728A,QFN,12P,3x3mm,DUAL	1	S.A	
....4	T0124	1201-002678	IC-POWER AMP;STA335BWS,PSSO,36P,10.3x7.5	1	S.A	
....4	T0087	1203-001815	IC-POSI.FIXED REG.;78M09,TO-252,3P,-,PLA	1	S.A	
....4	T0087	1203-002835	IC-POSI.FIXED REG.;KIA7805AF,DPAK,3P,6.6	1	S.A	
....4	T0087	1203-002842	IC-POSI.FIXED REG.;AP1117D-33A,TO-252,3P	1	S.A	
....4	IC012	1203-002995	IC-POSI.ADJUST REG.;AP1117D-A,TO-252,3P,	1	S.A	
....4	T0170	1203-003059	IC-SWITCH VOL. REG.;MP1583,SOIC,8P,4.9x3	1	S.A	
....4	T0087	1203-003060	IC-POSI.FIXED REG.;AP1084,TO-263,3P,9.97	1	S.A	
....4	T0087	1203-003121	IC-POSI.FIXED REG.;FAN1112,SOT-223,3P,6.	1	S.N.A	
....4	IC105	1203-004364	IC-VOL. DETECTOR;RT9818C-42PV,SOT-23,3P,	1	S.A	
....4	IC106	1203-004364	IC-VOL. DETECTOR;RT9818C-42PV,SOT-23,3P,	1	S.A	
....4	IC401	1204-002818	IC-DEMODULATOR;S5H1411,-,100P,14x14mm,PL	1	S.A	
....4	IC203	1204-002834	IC-DECODER;SEMS10-LF,LQFP,256P,28x28mm,P	1	S.A	
....4	R117	2007-000052	R-CHIP;10Kohm,1%,1/10W,TP,1608	1	S.N.A	
....4	R119	2007-000052	R-CHIP;10Kohm,1%,1/10W,TP,1608	1	S.N.A	
....4	R103	2007-000070	R-CHIP;0ohm,5%,1/10W,TP,1608	1	S.N.A	
....4	R124	2007-000070	R-CHIP;0ohm,5%,1/10W,TP,1608	1	S.N.A	
....4	R202	2007-000070	R-CHIP;0ohm,5%,1/10W,TP,1608	1	S.N.A	
....4	R203	2007-000070	R-CHIP;0ohm,5%,1/10W,TP,1608	1	S.N.A	
....4	R123	2007-000074	R-CHIP;100ohm,5%,1/10W,TP,1608	1	S.A	
....4	R111	2007-000084	R-CHIP;4.7Kohm,5%,1/10W,TP,1608	1	S.A	
....4	R106	2007-000090	R-CHIP;10Kohm,5%,1/10W,TP,1608	1	S.A	
....4	R109	2007-000090	R-CHIP;10Kohm,5%,1/10W,TP,1608	1	S.A	
....4	R110	2007-000090	R-CHIP;10Kohm,5%,1/10W,TP,1608	1	S.A	
....4	R115	2007-000090	R-CHIP;10Kohm,5%,1/10W,TP,1608	1	S.A	
....4	R116	2007-000090	R-CHIP;10Kohm,5%,1/10W,TP,1608	1	S.A	
....4	R127	2007-000090	R-CHIP;10Kohm,5%,1/10W,TP,1608	1	S.A	
....4	R134	2007-000090	R-CHIP;10Kohm,5%,1/10W,TP,1608	1	S.A	
....4	R113	2007-000102	R-CHIP;100Kohm,5%,1/10W,TP,1608	1	S.A	
....4	R114	2007-000102	R-CHIP;100Kohm,5%,1/10W,TP,1608	1	S.A	
....4	R125	2007-000102	R-CHIP;100Kohm,5%,1/10W,TP,1608	1	S.A	
....4	R126	2007-000102	R-CHIP;100Kohm,5%,1/10W,TP,1608	1	S.A	
....4	R133	2007-000102	R-CHIP;100Kohm,5%,1/10W,TP,1608	1	S.A	
....4	R210	2007-000138	R-CHIP;100ohm,5%,1/16W,TP,1005	1	S.N.A	
....4	R2100	2007-000138	R-CHIP;100ohm,5%,1/16W,TP,1005	1	S.N.A	
....4	R249	2007-000138	R-CHIP;100ohm,5%,1/16W,TP,1005	1	S.N.A	
....4	R250	2007-000138	R-CHIP;100ohm,5%,1/16W,TP,1005	1	S.N.A	

5. Exploded View & Part List

Level	Location No.	Code No.	Description & Specification	Q'ty	SA/SNA	Remark
...4	R251	2007-000138	R-CHIP;100ohm,5%,1/16W,TP,1005	1	S.N.A	
...4	R252	2007-000138	R-CHIP;100ohm,5%,1/16W,TP,1005	1	S.N.A	
...4	R256	2007-000138	R-CHIP;100ohm,5%,1/16W,TP,1005	1	S.N.A	
...4	R257	2007-000138	R-CHIP;100ohm,5%,1/16W,TP,1005	1	S.N.A	
...4	R258	2007-000138	R-CHIP;100ohm,5%,1/16W,TP,1005	1	S.N.A	
...4	R259	2007-000138	R-CHIP;100ohm,5%,1/16W,TP,1005	1	S.N.A	
...4	R260	2007-000138	R-CHIP;100ohm,5%,1/16W,TP,1005	1	S.N.A	
...4	R261	2007-000138	R-CHIP;100ohm,5%,1/16W,TP,1005	1	S.N.A	
...4	R262	2007-000138	R-CHIP;100ohm,5%,1/16W,TP,1005	1	S.N.A	
...4	R265	2007-000138	R-CHIP;100ohm,5%,1/16W,TP,1005	1	S.N.A	
...4	R267	2007-000138	R-CHIP;100ohm,5%,1/16W,TP,1005	1	S.N.A	
...4	R277	2007-000138	R-CHIP;100ohm,5%,1/16W,TP,1005	1	S.N.A	
...4	R278	2007-000138	R-CHIP;100ohm,5%,1/16W,TP,1005	1	S.N.A	
...4	R279	2007-000138	R-CHIP;100ohm,5%,1/16W,TP,1005	1	S.N.A	
...4	R282	2007-000138	R-CHIP;100ohm,5%,1/16W,TP,1005	1	S.N.A	
...4	R295	2007-000138	R-CHIP;100ohm,5%,1/16W,TP,1005	1	S.N.A	
...4	R296	2007-000138	R-CHIP;100ohm,5%,1/16W,TP,1005	1	S.N.A	
...4	R297	2007-000138	R-CHIP;100ohm,5%,1/16W,TP,1005	1	S.N.A	
...4	R298	2007-000138	R-CHIP;100ohm,5%,1/16W,TP,1005	1	S.N.A	
...4	R300	2007-000138	R-CHIP;100ohm,5%,1/16W,TP,1005	1	S.N.A	
...4	R302	2007-000138	R-CHIP;100ohm,5%,1/16W,TP,1005	1	S.N.A	
...4	R303	2007-000138	R-CHIP;100ohm,5%,1/16W,TP,1005	1	S.N.A	
...4	R304	2007-000138	R-CHIP;100ohm,5%,1/16W,TP,1005	1	S.N.A	
...4	R305	2007-000138	R-CHIP;100ohm,5%,1/16W,TP,1005	1	S.N.A	
...4	R306	2007-000138	R-CHIP;100ohm,5%,1/16W,TP,1005	1	S.N.A	
...4	R308	2007-000138	R-CHIP;100ohm,5%,1/16W,TP,1005	1	S.N.A	
...4	R312	2007-000138	R-CHIP;100ohm,5%,1/16W,TP,1005	1	S.N.A	
...4	R313	2007-000138	R-CHIP;100ohm,5%,1/16W,TP,1005	1	S.N.A	
...4	R335	2007-000138	R-CHIP;100ohm,5%,1/16W,TP,1005	1	S.N.A	
...4	R336	2007-000138	R-CHIP;100ohm,5%,1/16W,TP,1005	1	S.N.A	
...4	R337	2007-000138	R-CHIP;100ohm,5%,1/16W,TP,1005	1	S.N.A	
...4	R338	2007-000138	R-CHIP;100ohm,5%,1/16W,TP,1005	1	S.N.A	
...4	R339	2007-000138	R-CHIP;100ohm,5%,1/16W,TP,1005	1	S.N.A	
...4	R340	2007-000138	R-CHIP;100ohm,5%,1/16W,TP,1005	1	S.N.A	
...4	R500	2007-000138	R-CHIP;100ohm,5%,1/16W,TP,1005	1	S.N.A	
...4	R529	2007-000138	R-CHIP;100ohm,5%,1/16W,TP,1005	1	S.N.A	
...4	R557	2007-000138	R-CHIP;100ohm,5%,1/16W,TP,1005	1	S.N.A	
...4	R561	2007-000138	R-CHIP;100ohm,5%,1/16W,TP,1005	1	S.N.A	
...4	R562	2007-000138	R-CHIP;100ohm,5%,1/16W,TP,1005	1	S.N.A	
...4	R703	2007-000138	R-CHIP;100ohm,5%,1/16W,TP,1005	1	S.N.A	
...4	R704	2007-000138	R-CHIP;100ohm,5%,1/16W,TP,1005	1	S.N.A	
...4	R705	2007-000138	R-CHIP;100ohm,5%,1/16W,TP,1005	1	S.N.A	
...4	R706	2007-000138	R-CHIP;100ohm,5%,1/16W,TP,1005	1	S.N.A	
...4	R725	2007-000138	R-CHIP;100ohm,5%,1/16W,TP,1005	1	S.N.A	
...4	R726	2007-000138	R-CHIP;100ohm,5%,1/16W,TP,1005	1	S.N.A	
...4	R327	2007-000139	R-CHIP;220ohm,5%,1/16W,TP,1005	1	S.N.A	
...4	R330	2007-000139	R-CHIP;220ohm,5%,1/16W,TP,1005	1	S.N.A	
...4	R200	2007-000140	R-CHIP;1Kohm,5%,1/16W,TP,1005	1	S.N.A	
...4	R201	2007-000140	R-CHIP;1Kohm,5%,1/16W,TP,1005	1	S.N.A	
...4	R286	2007-000140	R-CHIP;1Kohm,5%,1/16W,TP,1005	1	S.N.A	
...4	R287	2007-000140	R-CHIP;1Kohm,5%,1/16W,TP,1005	1	S.N.A	

5. Exploded View & Part List

Level	Location No.	Code No.	Description & Specification	Q'ty	SA/SNA	Remark
...4	R402	2007-000140	R-CHIP;1Kohm,5%,1/16W,TP,1005	1	S.N.A	
...4	R406	2007-000140	R-CHIP;1Kohm,5%,1/16W,TP,1005	1	S.N.A	
...4	R408	2007-000140	R-CHIP;1Kohm,5%,1/16W,TP,1005	1	S.N.A	
...4	R410	2007-000140	R-CHIP;1Kohm,5%,1/16W,TP,1005	1	S.N.A	
...4	R411	2007-000140	R-CHIP;1Kohm,5%,1/16W,TP,1005	1	S.N.A	
...4	R412	2007-000140	R-CHIP;1Kohm,5%,1/16W,TP,1005	1	S.N.A	
...4	R429	2007-000140	R-CHIP;1Kohm,5%,1/16W,TP,1005	1	S.N.A	
...4	R5120	2007-000140	R-CHIP;1Kohm,5%,1/16W,TP,1005	1	S.N.A	
...4	R518	2007-000140	R-CHIP;1Kohm,5%,1/16W,TP,1005	1	S.N.A	
...4	R519	2007-000140	R-CHIP;1Kohm,5%,1/16W,TP,1005	1	S.N.A	
...4	R520	2007-000140	R-CHIP;1Kohm,5%,1/16W,TP,1005	1	S.N.A	
...4	R552	2007-000140	R-CHIP;1Kohm,5%,1/16W,TP,1005	1	S.N.A	
...4	R715	2007-000140	R-CHIP;1Kohm,5%,1/16W,TP,1005	1	S.N.A	
...4	R720	2007-000140	R-CHIP;1Kohm,5%,1/16W,TP,1005	1	S.N.A	
...4	R721	2007-000140	R-CHIP;1Kohm,5%,1/16W,TP,1005	1	S.N.A	
...4	R118	2007-000141	R-CHIP;2.2Kohm,5%,1/16W,TP,1005	1	S.N.A	
...4	R301	2007-000141	R-CHIP;2.2Kohm,5%,1/16W,TP,1005	1	S.N.A	
...4	R708	2007-000141	R-CHIP;2.2Kohm,5%,1/16W,TP,1005	1	S.N.A	
...4	R550	2007-000142	R-CHIP;2.7Kohm,5%,1/16W,TP,1005	1	S.N.A	
...4	R211	2007-000143	R-CHIP;4.7Kohm,5%,1/16W,TP,1005	1	S.N.A	
...4	R289	2007-000143	R-CHIP;4.7Kohm,5%,1/16W,TP,1005	1	S.N.A	
...4	R326	2007-000143	R-CHIP;4.7Kohm,5%,1/16W,TP,1005	1	S.N.A	
...4	R341	2007-000143	R-CHIP;4.7Kohm,5%,1/16W,TP,1005	1	S.N.A	
...4	R342	2007-000143	R-CHIP;4.7Kohm,5%,1/16W,TP,1005	1	S.N.A	
...4	R415	2007-000143	R-CHIP;4.7Kohm,5%,1/16W,TP,1005	1	S.N.A	
...4	R418	2007-000143	R-CHIP;4.7Kohm,5%,1/16W,TP,1005	1	S.N.A	
...4	R5121	2007-000143	R-CHIP;4.7Kohm,5%,1/16W,TP,1005	1	S.N.A	
...4	R553	2007-000143	R-CHIP;4.7Kohm,5%,1/16W,TP,1005	1	S.N.A	
...4	R591	2007-000143	R-CHIP;4.7Kohm,5%,1/16W,TP,1005	1	S.N.A	
...4	R592	2007-000143	R-CHIP;4.7Kohm,5%,1/16W,TP,1005	1	S.N.A	
...4	R603	2007-000143	R-CHIP;4.7Kohm,5%,1/16W,TP,1005	1	S.N.A	
...4	R604	2007-000143	R-CHIP;4.7Kohm,5%,1/16W,TP,1005	1	S.N.A	
...4	R611	2007-000143	R-CHIP;4.7Kohm,5%,1/16W,TP,1005	1	S.N.A	
...4	R612	2007-000143	R-CHIP;4.7Kohm,5%,1/16W,TP,1005	1	S.N.A	
...4	R613	2007-000143	R-CHIP;4.7Kohm,5%,1/16W,TP,1005	1	S.N.A	
...4	R739	2007-000143	R-CHIP;4.7Kohm,5%,1/16W,TP,1005	1	S.N.A	
...4	R740	2007-000143	R-CHIP;4.7Kohm,5%,1/16W,TP,1005	1	S.N.A	
...4	R104	2007-000148	R-CHIP;10Kohm,5%,1/16W,TP,1005	1	S.N.A	
...4	R122	2007-000148	R-CHIP;10Kohm,5%,1/16W,TP,1005	1	S.N.A	
...4	R206	2007-000148	R-CHIP;10Kohm,5%,1/16W,TP,1005	1	S.N.A	
...4	R209	2007-000148	R-CHIP;10Kohm,5%,1/16W,TP,1005	1	S.N.A	
...4	R216	2007-000148	R-CHIP;10Kohm,5%,1/16W,TP,1005	1	S.N.A	
...4	R217	2007-000148	R-CHIP;10Kohm,5%,1/16W,TP,1005	1	S.N.A	
...4	R218	2007-000148	R-CHIP;10Kohm,5%,1/16W,TP,1005	1	S.N.A	
...4	R219	2007-000148	R-CHIP;10Kohm,5%,1/16W,TP,1005	1	S.N.A	
...4	R221	2007-000148	R-CHIP;10Kohm,5%,1/16W,TP,1005	1	S.N.A	
...4	R223	2007-000148	R-CHIP;10Kohm,5%,1/16W,TP,1005	1	S.N.A	
...4	R224	2007-000148	R-CHIP;10Kohm,5%,1/16W,TP,1005	1	S.N.A	
...4	R225	2007-000148	R-CHIP;10Kohm,5%,1/16W,TP,1005	1	S.N.A	
...4	R226	2007-000148	R-CHIP;10Kohm,5%,1/16W,TP,1005	1	S.N.A	
...4	R227	2007-000148	R-CHIP;10Kohm,5%,1/16W,TP,1005	1	S.N.A	

5. Exploded View & Part List

Level	Location No.	Code No.	Description & Specification	Q'ty	SA/SNA	Remark
...4	R229	2007-000148	R-CHIP;10Kohm,5%,1/16W,TP,1005	1	S.N.A	
...4	R231	2007-000148	R-CHIP;10Kohm,5%,1/16W,TP,1005	1	S.N.A	
...4	R232	2007-000148	R-CHIP;10Kohm,5%,1/16W,TP,1005	1	S.N.A	
...4	R233	2007-000148	R-CHIP;10Kohm,5%,1/16W,TP,1005	1	S.N.A	
...4	R234	2007-000148	R-CHIP;10Kohm,5%,1/16W,TP,1005	1	S.N.A	
...4	R235	2007-000148	R-CHIP;10Kohm,5%,1/16W,TP,1005	1	S.N.A	
...4	R236	2007-000148	R-CHIP;10Kohm,5%,1/16W,TP,1005	1	S.N.A	
...4	R237	2007-000148	R-CHIP;10Kohm,5%,1/16W,TP,1005	1	S.N.A	
...4	R242	2007-000148	R-CHIP;10Kohm,5%,1/16W,TP,1005	1	S.N.A	
...4	R243	2007-000148	R-CHIP;10Kohm,5%,1/16W,TP,1005	1	S.N.A	
...4	R246	2007-000148	R-CHIP;10Kohm,5%,1/16W,TP,1005	1	S.N.A	
...4	R248	2007-000148	R-CHIP;10Kohm,5%,1/16W,TP,1005	1	S.N.A	
...4	R284	2007-000148	R-CHIP;10Kohm,5%,1/16W,TP,1005	1	S.N.A	
...4	R285	2007-000148	R-CHIP;10Kohm,5%,1/16W,TP,1005	1	S.N.A	
...4	R318	2007-000148	R-CHIP;10Kohm,5%,1/16W,TP,1005	1	S.N.A	
...4	R323	2007-000148	R-CHIP;10Kohm,5%,1/16W,TP,1005	1	S.N.A	
...4	R324	2007-000148	R-CHIP;10Kohm,5%,1/16W,TP,1005	1	S.N.A	
...4	R343	2007-000148	R-CHIP;10Kohm,5%,1/16W,TP,1005	1	S.N.A	
...4	R513	2007-000148	R-CHIP;10Kohm,5%,1/16W,TP,1005	1	S.N.A	
...4	R514	2007-000148	R-CHIP;10Kohm,5%,1/16W,TP,1005	1	S.N.A	
...4	R532	2007-000148	R-CHIP;10Kohm,5%,1/16W,TP,1005	1	S.N.A	
...4	R533	2007-000148	R-CHIP;10Kohm,5%,1/16W,TP,1005	1	S.N.A	
...4	R534	2007-000148	R-CHIP;10Kohm,5%,1/16W,TP,1005	1	S.N.A	
...4	R537	2007-000148	R-CHIP;10Kohm,5%,1/16W,TP,1005	1	S.N.A	
...4	R551	2007-000148	R-CHIP;10Kohm,5%,1/16W,TP,1005	1	S.N.A	
...4	R587	2007-000148	R-CHIP;10Kohm,5%,1/16W,TP,1005	1	S.N.A	
...4	R590	2007-000148	R-CHIP;10Kohm,5%,1/16W,TP,1005	1	S.N.A	
...4	R593	2007-000148	R-CHIP;10Kohm,5%,1/16W,TP,1005	1	S.N.A	
...4	R594	2007-000148	R-CHIP;10Kohm,5%,1/16W,TP,1005	1	S.N.A	
...4	R595	2007-000148	R-CHIP;10Kohm,5%,1/16W,TP,1005	1	S.N.A	
...4	R596	2007-000148	R-CHIP;10Kohm,5%,1/16W,TP,1005	1	S.N.A	
...4	R597	2007-000148	R-CHIP;10Kohm,5%,1/16W,TP,1005	1	S.N.A	
...4	R598	2007-000148	R-CHIP;10Kohm,5%,1/16W,TP,1005	1	S.N.A	
...4	R707	2007-000148	R-CHIP;10Kohm,5%,1/16W,TP,1005	1	S.N.A	
...4	R515	2007-000149	R-CHIP;12Kohm,5%,1/16W,TP,1005	1	S.A	
...4	R525	2007-000149	R-CHIP;12Kohm,5%,1/16W,TP,1005	1	S.A	
...4	R709	2007-000149	R-CHIP;12Kohm,5%,1/16W,TP,1005	1	S.A	
...4	R710	2007-000149	R-CHIP;12Kohm,5%,1/16W,TP,1005	1	S.A	
...4	R319	2007-000153	R-CHIP;22Kohm,5%,1/16W,TP,1005	1	S.N.A	
...4	R321	2007-000153	R-CHIP;22Kohm,5%,1/16W,TP,1005	1	S.N.A	
...4	R430	2007-000153	R-CHIP;22Kohm,5%,1/16W,TP,1005	1	S.N.A	
...4	R400	2007-000162	R-CHIP;100Kohm,5%,1/16W,TP,1005	1	S.N.A	
...4	R417	2007-000162	R-CHIP;100Kohm,5%,1/16W,TP,1005	1	S.N.A	
...4	R283	2007-000170	R-CHIP;1Mohm,5%,1/16W,TP,1005	1	S.N.A	
...4	R407	2007-000170	R-CHIP;1Mohm,5%,1/16W,TP,1005	1	S.N.A	
...4	R2101	2007-000171	R-CHIP;0ohm,5%,1/16W,TP,1005	1	S.N.A	
...4	R212	2007-000171	R-CHIP;0ohm,5%,1/16W,TP,1005	1	S.N.A	
...4	R220	2007-000171	R-CHIP;0ohm,5%,1/16W,TP,1005	1	S.N.A	
...4	R222	2007-000171	R-CHIP;0ohm,5%,1/16W,TP,1005	1	S.N.A	
...4	R254	2007-000171	R-CHIP;0ohm,5%,1/16W,TP,1005	1	S.N.A	
...4	R281	2007-000171	R-CHIP;0ohm,5%,1/16W,TP,1005	1	S.N.A	

5. Exploded View & Part List

Level	Location No.	Code No.	Description & Specification	Q'ty	SA/SNA	Remark
...4	R290	2007-000171	R-CHIP;0ohm,5%,1/16W,TP,1005	1	S.N.A	
...4	R291	2007-000171	R-CHIP;0ohm,5%,1/16W,TP,1005	1	S.N.A	
...4	R292	2007-000171	R-CHIP;0ohm,5%,1/16W,TP,1005	1	S.N.A	
...4	R293	2007-000171	R-CHIP;0ohm,5%,1/16W,TP,1005	1	S.N.A	
...4	R294	2007-000171	R-CHIP;0ohm,5%,1/16W,TP,1005	1	S.N.A	
...4	R314	2007-000171	R-CHIP;0ohm,5%,1/16W,TP,1005	1	S.N.A	
...4	R315	2007-000171	R-CHIP;0ohm,5%,1/16W,TP,1005	1	S.N.A	
...4	R503	2007-000171	R-CHIP;0ohm,5%,1/16W,TP,1005	1	S.N.A	
...4	R523	2007-000171	R-CHIP;0ohm,5%,1/16W,TP,1005	1	S.N.A	
...4	R524	2007-000171	R-CHIP;0ohm,5%,1/16W,TP,1005	1	S.N.A	
...4	R548	2007-000171	R-CHIP;0ohm,5%,1/16W,TP,1005	1	S.N.A	
...4	R549	2007-000171	R-CHIP;0ohm,5%,1/16W,TP,1005	1	S.N.A	
...4	R558	2007-000171	R-CHIP;0ohm,5%,1/16W,TP,1005	1	S.N.A	
...4	R559	2007-000171	R-CHIP;0ohm,5%,1/16W,TP,1005	1	S.N.A	
...4	R560	2007-000171	R-CHIP;0ohm,5%,1/16W,TP,1005	1	S.N.A	
...4	R567	2007-000171	R-CHIP;0ohm,5%,1/16W,TP,1005	1	S.N.A	
...4	R568	2007-000171	R-CHIP;0ohm,5%,1/16W,TP,1005	1	S.N.A	
...4	R607	2007-000171	R-CHIP;0ohm,5%,1/16W,TP,1005	1	S.N.A	
...4	R608	2007-000171	R-CHIP;0ohm,5%,1/16W,TP,1005	1	S.N.A	
...4	R723	2007-000171	R-CHIP;0ohm,5%,1/16W,TP,1005	1	S.N.A	
...4	R724	2007-000171	R-CHIP;0ohm,5%,1/16W,TP,1005	1	S.N.A	
...4	R2125	2007-000172	R-CHIP;10ohm,5%,1/16W,TP,1005	1	S.N.A	
...4	R2126	2007-000172	R-CHIP;10ohm,5%,1/16W,TP,1005	1	S.N.A	
...4	R2127	2007-000172	R-CHIP;10ohm,5%,1/16W,TP,1005	1	S.N.A	
...4	R2128	2007-000172	R-CHIP;10ohm,5%,1/16W,TP,1005	1	S.N.A	
...4	R2129	2007-000172	R-CHIP;10ohm,5%,1/16W,TP,1005	1	S.N.A	
...4	R2130	2007-000172	R-CHIP;10ohm,5%,1/16W,TP,1005	1	S.N.A	
...4	R2131	2007-000172	R-CHIP;10ohm,5%,1/16W,TP,1005	1	S.N.A	
...4	R2132	2007-000172	R-CHIP;10ohm,5%,1/16W,TP,1005	1	S.N.A	
...4	R501	2007-000172	R-CHIP;10ohm,5%,1/16W,TP,1005	1	S.N.A	
...4	R504	2007-000172	R-CHIP;10ohm,5%,1/16W,TP,1005	1	S.N.A	
...4	R505	2007-000172	R-CHIP;10ohm,5%,1/16W,TP,1005	1	S.N.A	
...4	R506	2007-000172	R-CHIP;10ohm,5%,1/16W,TP,1005	1	S.N.A	
...4	R507	2007-000172	R-CHIP;10ohm,5%,1/16W,TP,1005	1	S.N.A	
...4	R508	2007-000172	R-CHIP;10ohm,5%,1/16W,TP,1005	1	S.N.A	
...4	R509	2007-000172	R-CHIP;10ohm,5%,1/16W,TP,1005	1	S.N.A	
...4	R510	2007-000172	R-CHIP;10ohm,5%,1/16W,TP,1005	1	S.N.A	
...4	R5104	2007-000172	R-CHIP;10ohm,5%,1/16W,TP,1005	1	S.N.A	
...4	R5105	2007-000172	R-CHIP;10ohm,5%,1/16W,TP,1005	1	S.N.A	
...4	R5106	2007-000172	R-CHIP;10ohm,5%,1/16W,TP,1005	1	S.N.A	
...4	R5107	2007-000172	R-CHIP;10ohm,5%,1/16W,TP,1005	1	S.N.A	
...4	R5108	2007-000172	R-CHIP;10ohm,5%,1/16W,TP,1005	1	S.N.A	
...4	R5109	2007-000172	R-CHIP;10ohm,5%,1/16W,TP,1005	1	S.N.A	
...4	R511	2007-000172	R-CHIP;10ohm,5%,1/16W,TP,1005	1	S.N.A	
...4	R5110	2007-000172	R-CHIP;10ohm,5%,1/16W,TP,1005	1	S.N.A	
...4	R5111	2007-000172	R-CHIP;10ohm,5%,1/16W,TP,1005	1	S.N.A	
...4	R5112	2007-000172	R-CHIP;10ohm,5%,1/16W,TP,1005	1	S.N.A	
...4	R5113	2007-000172	R-CHIP;10ohm,5%,1/16W,TP,1005	1	S.N.A	
...4	R5114	2007-000172	R-CHIP;10ohm,5%,1/16W,TP,1005	1	S.N.A	
...4	R5115	2007-000172	R-CHIP;10ohm,5%,1/16W,TP,1005	1	S.N.A	
...4	R5116	2007-000172	R-CHIP;10ohm,5%,1/16W,TP,1005	1	S.N.A	

5. Exploded View & Part List

Level	Location No.	Code No.	Description & Specification	Q'ty	SA/SNA	Remark
...4	R5117	2007-000172	R-CHIP;10ohm,5%,1/16W,TP,1005	1	S.N.A	
...4	R5118	2007-000172	R-CHIP;10ohm,5%,1/16W,TP,1005	1	S.N.A	
...4	R5119	2007-000172	R-CHIP;10ohm,5%,1/16W,TP,1005	1	S.N.A	
...4	R538	2007-000172	R-CHIP;10ohm,5%,1/16W,TP,1005	1	S.N.A	
...4	R539	2007-000172	R-CHIP;10ohm,5%,1/16W,TP,1005	1	S.N.A	
...4	R540	2007-000172	R-CHIP;10ohm,5%,1/16W,TP,1005	1	S.N.A	
...4	R541	2007-000172	R-CHIP;10ohm,5%,1/16W,TP,1005	1	S.N.A	
...4	R542	2007-000172	R-CHIP;10ohm,5%,1/16W,TP,1005	1	S.N.A	
...4	R543	2007-000172	R-CHIP;10ohm,5%,1/16W,TP,1005	1	S.N.A	
...4	R544	2007-000172	R-CHIP;10ohm,5%,1/16W,TP,1005	1	S.N.A	
...4	R545	2007-000172	R-CHIP;10ohm,5%,1/16W,TP,1005	1	S.N.A	
...4	R563	2007-000172	R-CHIP;10ohm,5%,1/16W,TP,1005	1	S.N.A	
...4	R564	2007-000172	R-CHIP;10ohm,5%,1/16W,TP,1005	1	S.N.A	
...4	R569	2007-000172	R-CHIP;10ohm,5%,1/16W,TP,1005	1	S.N.A	
...4	R570	2007-000172	R-CHIP;10ohm,5%,1/16W,TP,1005	1	S.N.A	
...4	R571	2007-000172	R-CHIP;10ohm,5%,1/16W,TP,1005	1	S.N.A	
...4	R572	2007-000172	R-CHIP;10ohm,5%,1/16W,TP,1005	1	S.N.A	
...4	R573	2007-000172	R-CHIP;10ohm,5%,1/16W,TP,1005	1	S.N.A	
...4	R574	2007-000172	R-CHIP;10ohm,5%,1/16W,TP,1005	1	S.N.A	
...4	R575	2007-000172	R-CHIP;10ohm,5%,1/16W,TP,1005	1	S.N.A	
...4	R576	2007-000172	R-CHIP;10ohm,5%,1/16W,TP,1005	1	S.N.A	
...4	R577	2007-000172	R-CHIP;10ohm,5%,1/16W,TP,1005	1	S.N.A	
...4	R578	2007-000172	R-CHIP;10ohm,5%,1/16W,TP,1005	1	S.N.A	
...4	R579	2007-000172	R-CHIP;10ohm,5%,1/16W,TP,1005	1	S.N.A	
...4	R580	2007-000172	R-CHIP;10ohm,5%,1/16W,TP,1005	1	S.N.A	
...4	R581	2007-000172	R-CHIP;10ohm,5%,1/16W,TP,1005	1	S.N.A	
...4	R582	2007-000172	R-CHIP;10ohm,5%,1/16W,TP,1005	1	S.N.A	
...4	R583	2007-000172	R-CHIP;10ohm,5%,1/16W,TP,1005	1	S.N.A	
...4	R584	2007-000172	R-CHIP;10ohm,5%,1/16W,TP,1005	1	S.N.A	
...4	R517	2007-000173	R-CHIP;22ohm,5%,1/16W,TP,1005	1	S.N.A	
...4	R521	2007-000173	R-CHIP;22ohm,5%,1/16W,TP,1005	1	S.N.A	
...4	R530	2007-000173	R-CHIP;22ohm,5%,1/16W,TP,1005	1	S.N.A	
...4	R531	2007-000173	R-CHIP;22ohm,5%,1/16W,TP,1005	1	S.N.A	
...4	R585	2007-000173	R-CHIP;22ohm,5%,1/16W,TP,1005	1	S.N.A	
...4	R586	2007-000173	R-CHIP;22ohm,5%,1/16W,TP,1005	1	S.N.A	
...4	R588	2007-000173	R-CHIP;22ohm,5%,1/16W,TP,1005	1	S.N.A	
...4	R589	2007-000173	R-CHIP;22ohm,5%,1/16W,TP,1005	1	S.N.A	
...4	R309	2007-000174	R-CHIP;47ohm,5%,1/16W,TP,1005	1	S.N.A	
...4	R310	2007-000174	R-CHIP;47ohm,5%,1/16W,TP,1005	1	S.N.A	
...4	R316	2007-000174	R-CHIP;47ohm,5%,1/16W,TP,1005	1	S.N.A	
...4	R317	2007-000174	R-CHIP;47ohm,5%,1/16W,TP,1005	1	S.N.A	
...4	R320	2007-000174	R-CHIP;47ohm,5%,1/16W,TP,1005	1	S.N.A	
...4	R322	2007-000174	R-CHIP;47ohm,5%,1/16W,TP,1005	1	S.N.A	
...4	R404	2007-000174	R-CHIP;47ohm,5%,1/16W,TP,1005	1	S.N.A	
...4	R405	2007-000174	R-CHIP;47ohm,5%,1/16W,TP,1005	1	S.N.A	
...4	R413	2007-000174	R-CHIP;47ohm,5%,1/16W,TP,1005	1	S.N.A	
...4	R414	2007-000174	R-CHIP;47ohm,5%,1/16W,TP,1005	1	S.N.A	
...4	R5100	2007-000174	R-CHIP;47ohm,5%,1/16W,TP,1005	1	S.N.A	
...4	R5101	2007-000174	R-CHIP;47ohm,5%,1/16W,TP,1005	1	S.N.A	
...4	R5102	2007-000174	R-CHIP;47ohm,5%,1/16W,TP,1005	1	S.N.A	
...4	R535	2007-000174	R-CHIP;47ohm,5%,1/16W,TP,1005	1	S.N.A	

5. Exploded View & Part List

Level	Location No.	Code No.	Description & Specification	Q'ty	SA/SNA	Remark
...4	R536	2007-000174	R-CHIP;47ohm,5%,1/16W,TP,1005	1	S.N.A	
...4	R546	2007-000174	R-CHIP;47ohm,5%,1/16W,TP,1005	1	S.N.A	
...4	R547	2007-000174	R-CHIP;47ohm,5%,1/16W,TP,1005	1	S.N.A	
...4	R599	2007-000174	R-CHIP;47ohm,5%,1/16W,TP,1005	1	S.N.A	
...4	R713	2007-000174	R-CHIP;47ohm,5%,1/16W,TP,1005	1	S.N.A	
...4	R714	2007-000174	R-CHIP;47ohm,5%,1/16W,TP,1005	1	S.N.A	
...4	R718	2007-000174	R-CHIP;47ohm,5%,1/16W,TP,1005	1	S.N.A	
...4	R719	2007-000174	R-CHIP;47ohm,5%,1/16W,TP,1005	1	S.N.A	
...4	R722	2007-000174	R-CHIP;47ohm,5%,1/16W,TP,1005	1	S.N.A	
...4	R730	2007-000174	R-CHIP;47ohm,5%,1/16W,TP,1005	1	S.N.A	
...4	R731	2007-000362	R-CHIP;12ohm,5%,1/10W,TP,1608	1	S.A	
...4	R732	2007-000362	R-CHIP;12ohm,5%,1/10W,TP,1608	1	S.A	
...4	R733	2007-000362	R-CHIP;12ohm,5%,1/10W,TP,1608	1	S.A	
...4	R734	2007-000362	R-CHIP;12ohm,5%,1/10W,TP,1608	1	S.A	
...4	R735	2007-000362	R-CHIP;12ohm,5%,1/10W,TP,1608	1	S.A	
...4	R736	2007-000362	R-CHIP;12ohm,5%,1/10W,TP,1608	1	S.A	
...4	R737	2007-000362	R-CHIP;12ohm,5%,1/10W,TP,1608	1	S.A	
...4	R738	2007-000362	R-CHIP;12ohm,5%,1/10W,TP,1608	1	S.A	
...4	R711	2007-000695	R-CHIP;3.3ohm,5%,1/10W,TP,1608	1	S.A	
...4	R712	2007-000695	R-CHIP;3.3ohm,5%,1/10W,TP,1608	1	S.A	
...4	R121	2007-000763	R-CHIP;330ohm,1%,1/10W,TP,1608	1	S.N.A	
...4	R128	2007-000932	R-CHIP;470ohm,5%,1/16W,TP,1005	1	S.N.A	
...4	R307	2007-000932	R-CHIP;470ohm,5%,1/16W,TP,1005	1	S.N.A	
...4	R328	2007-000932	R-CHIP;470ohm,5%,1/16W,TP,1005	1	S.N.A	
...4	R331	2007-000932	R-CHIP;470ohm,5%,1/16W,TP,1005	1	S.N.A	
...4	R409	2007-000932	R-CHIP;470ohm,5%,1/16W,TP,1005	1	S.N.A	
...4	R112	2007-000965	R-CHIP;5.1Kohm,5%,1/10W,TP,1608	1	S.N.A	
...4	R2104	2007-001292	R-CHIP;33ohm,5%,1/16W,TP,1005	1	S.N.A	
...4	R2105	2007-001292	R-CHIP;33ohm,5%,1/16W,TP,1005	1	S.N.A	
...4	R2106	2007-001292	R-CHIP;33ohm,5%,1/16W,TP,1005	1	S.N.A	
...4	R2107	2007-001292	R-CHIP;33ohm,5%,1/16W,TP,1005	1	S.N.A	
...4	R2108	2007-001292	R-CHIP;33ohm,5%,1/16W,TP,1005	1	S.N.A	
...4	R2109	2007-001292	R-CHIP;33ohm,5%,1/16W,TP,1005	1	S.N.A	
...4	R2110	2007-001292	R-CHIP;33ohm,5%,1/16W,TP,1005	1	S.N.A	
...4	R2111	2007-001292	R-CHIP;33ohm,5%,1/16W,TP,1005	1	S.N.A	
...4	R2112	2007-001292	R-CHIP;33ohm,5%,1/16W,TP,1005	1	S.N.A	
...4	R2113	2007-001292	R-CHIP;33ohm,5%,1/16W,TP,1005	1	S.N.A	
...4	R2114	2007-001292	R-CHIP;33ohm,5%,1/16W,TP,1005	1	S.N.A	
...4	R2115	2007-001292	R-CHIP;33ohm,5%,1/16W,TP,1005	1	S.N.A	
...4	R2116	2007-001292	R-CHIP;33ohm,5%,1/16W,TP,1005	1	S.N.A	
...4	R2117	2007-001292	R-CHIP;33ohm,5%,1/16W,TP,1005	1	S.N.A	
...4	R2118	2007-001292	R-CHIP;33ohm,5%,1/16W,TP,1005	1	S.N.A	
...4	R2119	2007-001292	R-CHIP;33ohm,5%,1/16W,TP,1005	1	S.N.A	
...4	R2120	2007-001292	R-CHIP;33ohm,5%,1/16W,TP,1005	1	S.N.A	
...4	R2121	2007-001292	R-CHIP;33ohm,5%,1/16W,TP,1005	1	S.N.A	
...4	R2122	2007-001292	R-CHIP;33ohm,5%,1/16W,TP,1005	1	S.N.A	
...4	R2123	2007-001292	R-CHIP;33ohm,5%,1/16W,TP,1005	1	S.N.A	
...4	R2124	2007-001292	R-CHIP;33ohm,5%,1/16W,TP,1005	1	S.N.A	
...4	R238	2007-001292	R-CHIP;33ohm,5%,1/16W,TP,1005	1	S.N.A	
...4	R239	2007-001292	R-CHIP;33ohm,5%,1/16W,TP,1005	1	S.N.A	
...4	R240	2007-001292	R-CHIP;33ohm,5%,1/16W,TP,1005	1	S.N.A	

5. Exploded View & Part List

Level	Location No.	Code No.	Description & Specification	Q'ty	SA/SNA	Remark
...4	R241	2007-001292	R-CHIP;33ohm,5%,1/16W,TP,1005	1	S.N.A	
...4	R245	2007-001292	R-CHIP;33ohm,5%,1/16W,TP,1005	1	S.N.A	
...4	R247	2007-001292	R-CHIP;33ohm,5%,1/16W,TP,1005	1	S.N.A	
...4	R266	2007-001292	R-CHIP;33ohm,5%,1/16W,TP,1005	1	S.N.A	
...4	R268	2007-001292	R-CHIP;33ohm,5%,1/16W,TP,1005	1	S.N.A	
...4	R269	2007-001292	R-CHIP;33ohm,5%,1/16W,TP,1005	1	S.N.A	
...4	R270	2007-001292	R-CHIP;33ohm,5%,1/16W,TP,1005	1	S.N.A	
...4	R325	2007-001292	R-CHIP;33ohm,5%,1/16W,TP,1005	1	S.N.A	
...4	R419	2007-001292	R-CHIP;33ohm,5%,1/16W,TP,1005	1	S.N.A	
...4	R420	2007-001292	R-CHIP;33ohm,5%,1/16W,TP,1005	1	S.N.A	
...4	R421	2007-001292	R-CHIP;33ohm,5%,1/16W,TP,1005	1	S.N.A	
...4	R422	2007-001292	R-CHIP;33ohm,5%,1/16W,TP,1005	1	S.N.A	
...4	R423	2007-001292	R-CHIP;33ohm,5%,1/16W,TP,1005	1	S.N.A	
...4	R424	2007-001292	R-CHIP;33ohm,5%,1/16W,TP,1005	1	S.N.A	
...4	R425	2007-001292	R-CHIP;33ohm,5%,1/16W,TP,1005	1	S.N.A	
...4	R426	2007-001292	R-CHIP;33ohm,5%,1/16W,TP,1005	1	S.N.A	
...4	R427	2007-001292	R-CHIP;33ohm,5%,1/16W,TP,1005	1	S.N.A	
...4	R428	2007-001292	R-CHIP;33ohm,5%,1/16W,TP,1005	1	S.N.A	
...4	R700	2007-001292	R-CHIP;33ohm,5%,1/16W,TP,1005	1	S.N.A	
...4	R701	2007-001292	R-CHIP;33ohm,5%,1/16W,TP,1005	1	S.N.A	
...4	R702	2007-001292	R-CHIP;33ohm,5%,1/16W,TP,1005	1	S.N.A	
...4	R416	2007-001313	R-CHIP;330ohm,5%,1/16W,TP,1005	1	S.N.A	
...4	R102	2007-001325	R-CHIP;3.3Kohm,5%,1/16W,TP,1005	1	S.N.A	
...4	R253	2007-007008	R-CHIP;300ohm,5%,1/16W,TP,1005	1	S.N.A	
...4	R255	2007-007008	R-CHIP;300ohm,5%,1/16W,TP,1005	1	S.N.A	
...4	R311	2007-007095	R-CHIP;390ohm,5%,1/16W,TP,1005	1	S.N.A	
...4	R244	2007-007107	R-CHIP;100Kohm,1%,1/16W,TP,1005	1	S.N.A	
...4	R288	2007-007107	R-CHIP;100Kohm,1%,1/16W,TP,1005	1	S.N.A	
...4	R716	2007-007107	R-CHIP;100Kohm,1%,1/16W,TP,1005	1	S.N.A	
...4	R717	2007-007107	R-CHIP;100Kohm,1%,1/16W,TP,1005	1	S.N.A	
...4	R107	2007-007142	R-CHIP;10Kohm,1%,1/16W,TP,1005	1	S.N.A	
...4	R120	2007-007142	R-CHIP;10Kohm,1%,1/16W,TP,1005	1	S.N.A	
...4	R502	2007-007318	R-CHIP;1Kohm,1%,1/16W,TP,1005	1	S.N.A	
...4	R565	2007-007318	R-CHIP;1Kohm,1%,1/16W,TP,1005	1	S.N.A	
...4	R566	2007-007318	R-CHIP;1Kohm,1%,1/16W,TP,1005	1	S.N.A	
...4	R401	2007-007334	R-CHIP;200Kohm,1%,1/16W,TP,1005	1	S.N.A	
...4	R334	2007-008015	R-CHIP;75ohm,1%,1/16W,TP,1005	1	S.N.A	
...4	R512	2007-008015	R-CHIP;75ohm,1%,1/16W,TP,1005	1	S.N.A	
...4	R516	2007-008015	R-CHIP;75ohm,1%,1/16W,TP,1005	1	S.N.A	
...4	R522	2007-008015	R-CHIP;75ohm,1%,1/16W,TP,1005	1	S.N.A	
...4	R554	2007-008015	R-CHIP;75ohm,1%,1/16W,TP,1005	1	S.N.A	
...4	R555	2007-008015	R-CHIP;75ohm,1%,1/16W,TP,1005	1	S.N.A	
...4	R556	2007-008015	R-CHIP;75ohm,1%,1/16W,TP,1005	1	S.N.A	
...4	R329	2007-008813	R-CHIP;909ohm,1%,1/16W,TP,1005	1	S.N.A	
...4	RA216	2011-000816	R-NETWORK;100ohm,5%,1/16W,L,CHIP,8P,TP,3	1	S.A	
...4	RA217	2011-000816	R-NETWORK;100ohm,5%,1/16W,L,CHIP,8P,TP,3	1	S.A	
...4	RA219	2011-000816	R-NETWORK;100ohm,5%,1/16W,L,CHIP,8P,TP,3	1	S.A	
...4	RA200	2011-000881	R-NETWORK;33ohm,5%,1/16W,L,CHIP,8P,TP,3.	1	S.N.A	
...4	RA201	2011-000881	R-NETWORK;33ohm,5%,1/16W,L,CHIP,8P,TP,3.	1	S.N.A	
...4	RA202	2011-000881	R-NETWORK;33ohm,5%,1/16W,L,CHIP,8P,TP,3.	1	S.N.A	
...4	RA203	2011-000881	R-NETWORK;33ohm,5%,1/16W,L,CHIP,8P,TP,3.	1	S.N.A	

5. Exploded View & Part List

Level	Location No.	Code No.	Description & Specification	Q'ty	SA/SNA	Remark
....4	RA204	2011-000881	R-NETWORK;33ohm,5%,1/16W,L,CHIP,8P,TP,3.	1	S.N.A	
....4	RA205	2011-000881	R-NETWORK;33ohm,5%,1/16W,L,CHIP,8P,TP,3.	1	S.N.A	
....4	RA206	2011-000881	R-NETWORK;33ohm,5%,1/16W,L,CHIP,8P,TP,3.	1	S.N.A	
....4	RA207	2011-000881	R-NETWORK;33ohm,5%,1/16W,L,CHIP,8P,TP,3.	1	S.N.A	
....4	RA300	2011-001262	R-NETWORK;22ohm,5%,1/16W,L,CHIP,8P,TP,2.	1	S.A	
....4	RA301	2011-001262	R-NETWORK;22ohm,5%,1/16W,L,CHIP,8P,TP,2.	1	S.A	
....4	RA302	2011-001262	R-NETWORK;22ohm,5%,1/16W,L,CHIP,8P,TP,2.	1	S.A	
....4	RA303	2011-001262	R-NETWORK;22ohm,5%,1/16W,L,CHIP,8P,TP,2.	1	S.A	
....4	RA304	2011-001262	R-NETWORK;22ohm,5%,1/16W,L,CHIP,8P,TP,2.	1	S.A	
....4	C702	2203-000041	C-CER,CHIP;0.01nF,0.25pF,50V,C0G,1608	1	S.N.A	
....4	C708	2203-000125	C-CER,CHIP;1.2nF,10%,50V,X7R,TP,1608,-	1	S.A	
....4	C753	2203-000125	C-CER,CHIP;1.2nF,10%,50V,X7R,TP,1608,-	1	S.A	
....4	C754	2203-000125	C-CER,CHIP;1.2nF,10%,50V,X7R,TP,1608,-	1	S.A	
....4	C755	2203-000125	C-CER,CHIP;1.2nF,10%,50V,X7R,TP,1608,-	1	S.A	
....4	C756	2203-000125	C-CER,CHIP;1.2nF,10%,50V,X7R,TP,1608,-	1	S.A	
....4	C105	2203-000189	C-CER,CHIP;100nF,+80-20%,25V,Y5V,1608	1	S.N.A	
....4	C109	2203-000189	C-CER,CHIP;100nF,+80-20%,25V,Y5V,1608	1	S.N.A	
....4	C111	2203-000189	C-CER,CHIP;100nF,+80-20%,25V,Y5V,1608	1	S.N.A	
....4	C119	2203-000189	C-CER,CHIP;100nF,+80-20%,25V,Y5V,1608	1	S.N.A	
....4	C130	2203-000189	C-CER,CHIP;100nF,+80-20%,25V,Y5V,1608	1	S.N.A	
....4	C132	2203-000189	C-CER,CHIP;100nF,+80-20%,25V,Y5V,1608	1	S.N.A	
....4	C133	2203-000189	C-CER,CHIP;100nF,+80-20%,25V,Y5V,1608	1	S.N.A	
....4	C138	2203-000189	C-CER,CHIP;100nF,+80-20%,25V,Y5V,1608	1	S.N.A	
....4	C162	2203-000189	C-CER,CHIP;100nF,+80-20%,25V,Y5V,1608	1	S.N.A	
....4	C163	2203-000189	C-CER,CHIP;100nF,+80-20%,25V,Y5V,1608	1	S.N.A	
....4	C164	2203-000189	C-CER,CHIP;100nF,+80-20%,25V,Y5V,1608	1	S.N.A	
....4	C165	2203-000189	C-CER,CHIP;100nF,+80-20%,25V,Y5V,1608	1	S.N.A	
....4	C166	2203-000189	C-CER,CHIP;100nF,+80-20%,25V,Y5V,1608	1	S.N.A	
....4	C167	2203-000189	C-CER,CHIP;100nF,+80-20%,25V,Y5V,1608	1	S.N.A	
....4	C168	2203-000189	C-CER,CHIP;100nF,+80-20%,25V,Y5V,1608	1	S.N.A	
....4	C169	2203-000189	C-CER,CHIP;100nF,+80-20%,25V,Y5V,1608	1	S.N.A	
....4	C170	2203-000189	C-CER,CHIP;100nF,+80-20%,25V,Y5V,1608	1	S.N.A	
....4	C171	2203-000189	C-CER,CHIP;100nF,+80-20%,25V,Y5V,1608	1	S.N.A	
....4	C172	2203-000189	C-CER,CHIP;100nF,+80-20%,25V,Y5V,1608	1	S.N.A	
....4	C173	2203-000189	C-CER,CHIP;100nF,+80-20%,25V,Y5V,1608	1	S.N.A	
....4	C174	2203-000189	C-CER,CHIP;100nF,+80-20%,25V,Y5V,1608	1	S.N.A	
....4	C176	2203-000189	C-CER,CHIP;100nF,+80-20%,25V,Y5V,1608	1	S.N.A	
....4	C177	2203-000189	C-CER,CHIP;100nF,+80-20%,25V,Y5V,1608	1	S.N.A	
....4	C183	2203-000189	C-CER,CHIP;100nF,+80-20%,25V,Y5V,1608	1	S.N.A	
....4	C184	2203-000189	C-CER,CHIP;100nF,+80-20%,25V,Y5V,1608	1	S.N.A	
....4	C185	2203-000189	C-CER,CHIP;100nF,+80-20%,25V,Y5V,1608	1	S.N.A	
....4	C188	2203-000189	C-CER,CHIP;100nF,+80-20%,25V,Y5V,1608	1	S.N.A	
....4	C189	2203-000189	C-CER,CHIP;100nF,+80-20%,25V,Y5V,1608	1	S.N.A	
....4	C190	2203-000189	C-CER,CHIP;100nF,+80-20%,25V,Y5V,1608	1	S.N.A	
....4	C191	2203-000189	C-CER,CHIP;100nF,+80-20%,25V,Y5V,1608	1	S.N.A	
....4	C192	2203-000189	C-CER,CHIP;100nF,+80-20%,25V,Y5V,1608	1	S.N.A	
....4	C193	2203-000189	C-CER,CHIP;100nF,+80-20%,25V,Y5V,1608	1	S.N.A	
....4	C194	2203-000189	C-CER,CHIP;100nF,+80-20%,25V,Y5V,1608	1	S.N.A	
....4	C195	2203-000189	C-CER,CHIP;100nF,+80-20%,25V,Y5V,1608	1	S.N.A	
....4	C196	2203-000189	C-CER,CHIP;100nF,+80-20%,25V,Y5V,1608	1	S.N.A	
....4	C200	2203-000189	C-CER,CHIP;100nF,+80-20%,25V,Y5V,1608	1	S.N.A	

5. Exploded View & Part List

Level	Location No.	Code No.	Description & Specification	Q'ty	SA/SNA	Remark
...4	C206	2203-000189	C-CER,CHIP;100nF,+80-20%,25V,Y5V,1608	1	S.N.A	
...4	C207	2203-000189	C-CER,CHIP;100nF,+80-20%,25V,Y5V,1608	1	S.N.A	
...4	C208	2203-000189	C-CER,CHIP;100nF,+80-20%,25V,Y5V,1608	1	S.N.A	
...4	C209	2203-000189	C-CER,CHIP;100nF,+80-20%,25V,Y5V,1608	1	S.N.A	
...4	C212	2203-000189	C-CER,CHIP;100nF,+80-20%,25V,Y5V,1608	1	S.N.A	
...4	C213	2203-000189	C-CER,CHIP;100nF,+80-20%,25V,Y5V,1608	1	S.N.A	
...4	C215	2203-000189	C-CER,CHIP;100nF,+80-20%,25V,Y5V,1608	1	S.N.A	
...4	C216	2203-000189	C-CER,CHIP;100nF,+80-20%,25V,Y5V,1608	1	S.N.A	
...4	C217	2203-000189	C-CER,CHIP;100nF,+80-20%,25V,Y5V,1608	1	S.N.A	
...4	C219	2203-000189	C-CER,CHIP;100nF,+80-20%,25V,Y5V,1608	1	S.N.A	
...4	C220	2203-000189	C-CER,CHIP;100nF,+80-20%,25V,Y5V,1608	1	S.N.A	
...4	C221	2203-000189	C-CER,CHIP;100nF,+80-20%,25V,Y5V,1608	1	S.N.A	
...4	C222	2203-000189	C-CER,CHIP;100nF,+80-20%,25V,Y5V,1608	1	S.N.A	
...4	C223	2203-000189	C-CER,CHIP;100nF,+80-20%,25V,Y5V,1608	1	S.N.A	
...4	C224	2203-000189	C-CER,CHIP;100nF,+80-20%,25V,Y5V,1608	1	S.N.A	
...4	C225	2203-000189	C-CER,CHIP;100nF,+80-20%,25V,Y5V,1608	1	S.N.A	
...4	C226	2203-000189	C-CER,CHIP;100nF,+80-20%,25V,Y5V,1608	1	S.N.A	
...4	C227	2203-000189	C-CER,CHIP;100nF,+80-20%,25V,Y5V,1608	1	S.N.A	
...4	C228	2203-000189	C-CER,CHIP;100nF,+80-20%,25V,Y5V,1608	1	S.N.A	
...4	C229	2203-000189	C-CER,CHIP;100nF,+80-20%,25V,Y5V,1608	1	S.N.A	
...4	C230	2203-000189	C-CER,CHIP;100nF,+80-20%,25V,Y5V,1608	1	S.N.A	
...4	C231	2203-000189	C-CER,CHIP;100nF,+80-20%,25V,Y5V,1608	1	S.N.A	
...4	C233	2203-000189	C-CER,CHIP;100nF,+80-20%,25V,Y5V,1608	1	S.N.A	
...4	C235	2203-000189	C-CER,CHIP;100nF,+80-20%,25V,Y5V,1608	1	S.N.A	
...4	C236	2203-000189	C-CER,CHIP;100nF,+80-20%,25V,Y5V,1608	1	S.N.A	
...4	C301	2203-000189	C-CER,CHIP;100nF,+80-20%,25V,Y5V,1608	1	S.N.A	
...4	C304	2203-000189	C-CER,CHIP;100nF,+80-20%,25V,Y5V,1608	1	S.N.A	
...4	C305	2203-000189	C-CER,CHIP;100nF,+80-20%,25V,Y5V,1608	1	S.N.A	
...4	C306	2203-000189	C-CER,CHIP;100nF,+80-20%,25V,Y5V,1608	1	S.N.A	
...4	C315	2203-000189	C-CER,CHIP;100nF,+80-20%,25V,Y5V,1608	1	S.N.A	
...4	C316	2203-000189	C-CER,CHIP;100nF,+80-20%,25V,Y5V,1608	1	S.N.A	
...4	C333	2203-000189	C-CER,CHIP;100nF,+80-20%,25V,Y5V,1608	1	S.N.A	
...4	C508	2203-000189	C-CER,CHIP;100nF,+80-20%,25V,Y5V,1608	1	S.N.A	
...4	C512	2203-000189	C-CER,CHIP;100nF,+80-20%,25V,Y5V,1608	1	S.N.A	
...4	C600	2203-000189	C-CER,CHIP;100nF,+80-20%,25V,Y5V,1608	1	S.N.A	
...4	C601	2203-000189	C-CER,CHIP;100nF,+80-20%,25V,Y5V,1608	1	S.N.A	
...4	C603	2203-000189	C-CER,CHIP;100nF,+80-20%,25V,Y5V,1608	1	S.N.A	
...4	C605	2203-000189	C-CER,CHIP;100nF,+80-20%,25V,Y5V,1608	1	S.N.A	
...4	C606	2203-000189	C-CER,CHIP;100nF,+80-20%,25V,Y5V,1608	1	S.N.A	
...4	C607	2203-000189	C-CER,CHIP;100nF,+80-20%,25V,Y5V,1608	1	S.N.A	
...4	C122	2203-000236	C-CER,CHIP;0.1nF,5%,50V,C0G,1608	1	S.N.A	
...4	C503	2203-000236	C-CER,CHIP;0.1nF,5%,50V,C0G,1608	1	S.N.A	
...4	C510	2203-000236	C-CER,CHIP;0.1nF,5%,50V,C0G,1608	1	S.N.A	
...4	C704	2203-000236	C-CER,CHIP;0.1nF,5%,50V,C0G,1608	1	S.N.A	
...4	C103	2203-000257	C-CER,CHIP;10nF,10%,50V,X7R,TP,1608	1	S.A	
...4	C115	2203-000257	C-CER,CHIP;10nF,10%,50V,X7R,TP,1608	1	S.A	
...4	C127	2203-000257	C-CER,CHIP;10nF,10%,50V,X7R,TP,1608	1	S.A	
...4	C182	2203-000257	C-CER,CHIP;10nF,10%,50V,X7R,TP,1608	1	S.A	
...4	C336	2203-000257	C-CER,CHIP;10nF,10%,50V,X7R,TP,1608	1	S.A	
...4	C432	2203-000257	C-CER,CHIP;10nF,10%,50V,X7R,TP,1608	1	S.A	
...4	C441	2203-000257	C-CER,CHIP;10nF,10%,50V,X7R,TP,1608	1	S.A	

5. Exploded View & Part List

Level	Location No.	Code No.	Description & Specification	Q'ty	SA/SNA	Remark
....4	C442	2203-000257	C-CER,CHIP;10nF,10%,50V,X7R,TP,1608	1	S.A	
....4	C214	2203-000440	C-CER,CHIP;1nF,10%,50V,X7R,1608	1	S.A	
....4	C218	2203-000440	C-CER,CHIP;1nF,10%,50V,X7R,1608	1	S.A	
....4	C234	2203-000440	C-CER,CHIP;1nF,10%,50V,X7R,1608	1	S.A	
....4	C312	2203-000440	C-CER,CHIP;1nF,10%,50V,X7R,1608	1	S.A	
....4	C322	2203-000491	C-CER,CHIP;2.2nF,10%,50V,X7R,1608	1	S.A	
....4	C323	2203-000491	C-CER,CHIP;2.2nF,10%,50V,X7R,1608	1	S.A	
....4	C440	2203-000491	C-CER,CHIP;2.2nF,10%,50V,X7R,1608	1	S.A	
....4	C401	2203-000626	C-CER,CHIP;0.022nF,5%,50V,C0G,1608	1	S.N.A	
....4	C509	2203-000626	C-CER,CHIP;0.022nF,5%,50V,C0G,1608	1	S.N.A	
....4	C500	2203-000783	C-CER,CHIP;0.33nF,5%,50V,C0G,1608	1	S.A	
....4	C501	2203-000783	C-CER,CHIP;0.33nF,5%,50V,C0G,1608	1	S.A	
....4	C519	2203-000783	C-CER,CHIP;0.33nF,5%,50V,C0G,1608	1	S.A	
....4	C520	2203-000783	C-CER,CHIP;0.33nF,5%,50V,C0G,1608	1	S.A	
....4	C725	2203-000783	C-CER,CHIP;0.33nF,5%,50V,C0G,1608	1	S.A	
....4	C726	2203-000783	C-CER,CHIP;0.33nF,5%,50V,C0G,1608	1	S.A	
....4	C412	2203-000851	C-CER,CHIP;0.039nF,5%,50V,C0G,1608	1	S.A	
....4	C413	2203-000851	C-CER,CHIP;0.039nF,5%,50V,C0G,1608	1	S.A	
....4	C307	2203-000888	C-CER,CHIP;4.7nF,10%,50V,X7R,TP,1608	1	S.A	
....4	C308	2203-000888	C-CER,CHIP;4.7nF,10%,50V,X7R,TP,1608	1	S.A	
....4	C309	2203-000888	C-CER,CHIP;4.7nF,10%,50V,X7R,TP,1608	1	S.A	
....4	C317	2203-000888	C-CER,CHIP;4.7nF,10%,50V,X7R,TP,1608	1	S.A	
....4	C318	2203-000888	C-CER,CHIP;4.7nF,10%,50V,X7R,TP,1608	1	S.A	
....4	C319	2203-000888	C-CER,CHIP;4.7nF,10%,50V,X7R,TP,1608	1	S.A	
....4	C433	2203-000888	C-CER,CHIP;4.7nF,10%,50V,X7R,TP,1608	1	S.A	
....4	C310	2203-000972	C-CER,CHIP;47nF,10%,16V,X7R,1608	1	S.A	
....4	C311	2203-000972	C-CER,CHIP;47nF,10%,16V,X7R,1608	1	S.A	
....4	C313	2203-000972	C-CER,CHIP;47nF,10%,16V,X7R,1608	1	S.A	
....4	C320	2203-000972	C-CER,CHIP;47nF,10%,16V,X7R,1608	1	S.A	
....4	C321	2203-000972	C-CER,CHIP;47nF,10%,16V,X7R,1608	1	S.A	
....4	C324	2203-000972	C-CER,CHIP;47nF,10%,16V,X7R,1608	1	S.A	
....4	C326	2203-000972	C-CER,CHIP;47nF,10%,16V,X7R,1608	1	S.A	
....4	C436	2203-000979	C-CER,CHIP;47nF,10%,50V,X7R,TP,2012	1	S.N.A	
....4	C502	2203-001052	C-CER,CHIP;0.56nF,10%,50V,X7R,TP,1608	1	S.N.A	
....4	C504	2203-001052	C-CER,CHIP;0.56nF,10%,50V,X7R,TP,1608	1	S.N.A	
....4	C521	2203-001052	C-CER,CHIP;0.56nF,10%,50V,X7R,TP,1608	1	S.N.A	
....4	C522	2203-001052	C-CER,CHIP;0.56nF,10%,50V,X7R,TP,1608	1	S.N.A	
....4	C202	2203-001071	C-CER,CHIP;0.056nF,5%,50V,C0G,TP,1608	1	S.N.A	
....4	C420	2203-001071	C-CER,CHIP;0.056nF,5%,50V,C0G,TP,1608	1	S.N.A	
....4	C703	2203-001607	C-CER,CHIP;0.22nF,5%,50V,NP0,1608	1	S.A	
....4	C210	2203-001628	C-CER,CHIP;0.03nF,5%,50V,NP0,1608	1	S.N.A	
....4	C211	2203-001628	C-CER,CHIP;0.03nF,5%,50V,NP0,1608	1	S.N.A	
....4	C128	2203-001652	C-CER,CHIP;470nF,+80-20%,16V,Y5V,1608	1	S.A	
....4	C101	2203-002793	C-CER,CHIP;1000nF,+80-20%,25V,Y5V,2012	1	S.N.A	
....4	C125	2203-002793	C-CER,CHIP;1000nF,+80-20%,25V,Y5V,2012	1	S.N.A	
....4	C139	2203-005005	C-CER,CHIP;100nF,10%,16V,X7R,1608	1	S.A	
....4	C146	2203-005005	C-CER,CHIP;100nF,10%,16V,X7R,1608	1	S.A	
....4	C197	2203-005005	C-CER,CHIP;100nF,10%,16V,X7R,1608	1	S.A	
....4	C314	2203-005005	C-CER,CHIP;100nF,10%,16V,X7R,1608	1	S.A	
....4	C337	2203-005005	C-CER,CHIP;100nF,10%,16V,X7R,1608	1	S.A	
....4	C408	2203-005005	C-CER,CHIP;100nF,10%,16V,X7R,1608	1	S.A	

5. Exploded View & Part List

Level	Location No.	Code No.	Description & Specification	Q'ty	SA/SNA	Remark
...4	C411	2203-005005	C-CER,CHIP;100nF,10%,16V,X7R,1608	1	S.A	
...4	C416	2203-005005	C-CER,CHIP;100nF,10%,16V,X7R,1608	1	S.A	
...4	C417	2203-005005	C-CER,CHIP;100nF,10%,16V,X7R,1608	1	S.A	
...4	C418	2203-005005	C-CER,CHIP;100nF,10%,16V,X7R,1608	1	S.A	
...4	C419	2203-005005	C-CER,CHIP;100nF,10%,16V,X7R,1608	1	S.A	
...4	C421	2203-005005	C-CER,CHIP;100nF,10%,16V,X7R,1608	1	S.A	
...4	C422	2203-005005	C-CER,CHIP;100nF,10%,16V,X7R,1608	1	S.A	
...4	C423	2203-005005	C-CER,CHIP;100nF,10%,16V,X7R,1608	1	S.A	
...4	C424	2203-005005	C-CER,CHIP;100nF,10%,16V,X7R,1608	1	S.A	
...4	C425	2203-005005	C-CER,CHIP;100nF,10%,16V,X7R,1608	1	S.A	
...4	C426	2203-005005	C-CER,CHIP;100nF,10%,16V,X7R,1608	1	S.A	
...4	C427	2203-005005	C-CER,CHIP;100nF,10%,16V,X7R,1608	1	S.A	
...4	C428	2203-005005	C-CER,CHIP;100nF,10%,16V,X7R,1608	1	S.A	
...4	C429	2203-005005	C-CER,CHIP;100nF,10%,16V,X7R,1608	1	S.A	
...4	C430	2203-005005	C-CER,CHIP;100nF,10%,16V,X7R,1608	1	S.A	
...4	C434	2203-005005	C-CER,CHIP;100nF,10%,16V,X7R,1608	1	S.A	
...4	C438	2203-005005	C-CER,CHIP;100nF,10%,16V,X7R,1608	1	S.A	
...4	C447	2203-005005	C-CER,CHIP;100nF,10%,16V,X7R,1608	1	S.A	
...4	C448	2203-005005	C-CER,CHIP;100nF,10%,16V,X7R,1608	1	S.A	
...4	C506	2203-005005	C-CER,CHIP;100nF,10%,16V,X7R,1608	1	S.A	
...4	C513	2203-005005	C-CER,CHIP;100nF,10%,16V,X7R,1608	1	S.A	
...4	C517	2203-005005	C-CER,CHIP;100nF,10%,16V,X7R,1608	1	S.A	
...4	C518	2203-005005	C-CER,CHIP;100nF,10%,16V,X7R,1608	1	S.A	
...4	C701	2203-005005	C-CER,CHIP;100nF,10%,16V,X7R,1608	1	S.A	
...4	C707	2203-005005	C-CER,CHIP;100nF,10%,16V,X7R,1608	1	S.A	
...4	C709	2203-005005	C-CER,CHIP;100nF,10%,16V,X7R,1608	1	S.A	
...4	C710	2203-005005	C-CER,CHIP;100nF,10%,16V,X7R,1608	1	S.A	
...4	C711	2203-005005	C-CER,CHIP;100nF,10%,16V,X7R,1608	1	S.A	
...4	C712	2203-005005	C-CER,CHIP;100nF,10%,16V,X7R,1608	1	S.A	
...4	C713	2203-005005	C-CER,CHIP;100nF,10%,16V,X7R,1608	1	S.A	
...4	C715	2203-005005	C-CER,CHIP;100nF,10%,16V,X7R,1608	1	S.A	
...4	C727	2203-005005	C-CER,CHIP;100nF,10%,16V,X7R,1608	1	S.A	
...4	C730	2203-005005	C-CER,CHIP;100nF,10%,16V,X7R,1608	1	S.A	
...4	C731	2203-005005	C-CER,CHIP;100nF,10%,16V,X7R,1608	1	S.A	
...4	C732	2203-005005	C-CER,CHIP;100nF,10%,16V,X7R,1608	1	S.A	
...4	C733	2203-005005	C-CER,CHIP;100nF,10%,16V,X7R,1608	1	S.A	
...4	C734	2203-005005	C-CER,CHIP;100nF,10%,16V,X7R,1608	1	S.A	
...4	C735	2203-005005	C-CER,CHIP;100nF,10%,16V,X7R,1608	1	S.A	
...4	C100	2203-005065	C-CER,CHIP;1000nF,+80-20%,10V,Y5V,1608	1	S.N.A	
...4	C102	2203-005065	C-CER,CHIP;1000nF,+80-20%,10V,Y5V,1608	1	S.N.A	
...4	C112	2203-005065	C-CER,CHIP;1000nF,+80-20%,10V,Y5V,1608	1	S.N.A	
...4	C116	2203-005065	C-CER,CHIP;1000nF,+80-20%,10V,Y5V,1608	1	S.N.A	
...4	C198	2203-005065	C-CER,CHIP;1000nF,+80-20%,10V,Y5V,1608	1	S.N.A	
...4	C201	2203-005065	C-CER,CHIP;1000nF,+80-20%,10V,Y5V,1608	1	S.N.A	
...4	C203	2203-005065	C-CER,CHIP;1000nF,+80-20%,10V,Y5V,1608	1	S.N.A	
...4	C204	2203-005065	C-CER,CHIP;1000nF,+80-20%,10V,Y5V,1608	1	S.N.A	
...4	C242	2203-005065	C-CER,CHIP;1000nF,+80-20%,10V,Y5V,1608	1	S.N.A	
...4	C302	2203-005065	C-CER,CHIP;1000nF,+80-20%,10V,Y5V,1608	1	S.N.A	
...4	C705	2203-005065	C-CER,CHIP;1000nF,+80-20%,10V,Y5V,1608	1	S.N.A	
...4	C706	2203-005065	C-CER,CHIP;1000nF,+80-20%,10V,Y5V,1608	1	S.N.A	
...4	C714	2203-005065	C-CER,CHIP;1000nF,+80-20%,10V,Y5V,1608	1	S.N.A	

5. Exploded View & Part List

Level	Location No.	Code No.	Description & Specification	Q'ty	SA/SNA	Remark
....4	C717	2203-005065	C-CER,CHIP;1000nF,+80-20%,10V,Y5V,1608	1	S.N.A	
....4	C435	2203-005194	C-CER,CHIP;0.22nF,10%,50V,X7R,1608	1	S.A	
....4	C400	2203-005249	C-CER,CHIP;100nF,10%,50V,X7R,TP,1608	1	S.N.A	
....4	C402	2203-005249	C-CER,CHIP;100nF,10%,50V,X7R,TP,1608	1	S.N.A	
....4	C403	2203-005249	C-CER,CHIP;100nF,10%,50V,X7R,TP,1608	1	S.N.A	
....4	C409	2203-005249	C-CER,CHIP;100nF,10%,50V,X7R,TP,1608	1	S.N.A	
....4	C410	2203-005249	C-CER,CHIP;100nF,10%,50V,X7R,TP,1608	1	S.N.A	
....4	C414	2203-005249	C-CER,CHIP;100nF,10%,50V,X7R,TP,1608	1	S.N.A	
....4	C439	2203-005249	C-CER,CHIP;100nF,10%,50V,X7R,TP,1608	1	S.N.A	
....4	C443	2203-005249	C-CER,CHIP;100nF,10%,50V,X7R,TP,1608	1	S.N.A	
....4	C719	2203-005249	C-CER,CHIP;100nF,10%,50V,X7R,TP,1608	1	S.N.A	
....4	C720	2203-005249	C-CER,CHIP;100nF,10%,50V,X7R,TP,1608	1	S.N.A	
....4	C722	2203-005249	C-CER,CHIP;100nF,10%,50V,X7R,TP,1608	1	S.N.A	
....4	C723	2203-005249	C-CER,CHIP;100nF,10%,50V,X7R,TP,1608	1	S.N.A	
....4	C724	2203-005249	C-CER,CHIP;100nF,10%,50V,X7R,TP,1608	1	S.N.A	
....4	C729	2203-005249	C-CER,CHIP;100nF,10%,50V,X7R,TP,1608	1	S.N.A	
....4	C736	2203-005249	C-CER,CHIP;100nF,10%,50V,X7R,TP,1608	1	S.N.A	
....4	C737	2203-005249	C-CER,CHIP;100nF,10%,50V,X7R,TP,1608	1	S.N.A	
....4	C738	2203-005249	C-CER,CHIP;100nF,10%,50V,X7R,TP,1608	1	S.N.A	
....4	C739	2203-005249	C-CER,CHIP;100nF,10%,50V,X7R,TP,1608	1	S.N.A	
....4	C740	2203-005249	C-CER,CHIP;100nF,10%,50V,X7R,TP,1608	1	S.N.A	
....4	C741	2203-005249	C-CER,CHIP;100nF,10%,50V,X7R,TP,1608	1	S.N.A	
....4	C742	2203-005249	C-CER,CHIP;100nF,10%,50V,X7R,TP,1608	1	S.N.A	
....4	C743	2203-005249	C-CER,CHIP;100nF,10%,50V,X7R,TP,1608	1	S.N.A	
....4	C744	2203-005249	C-CER,CHIP;100nF,10%,50V,X7R,TP,1608	1	S.N.A	
....4	C745	2203-005249	C-CER,CHIP;100nF,10%,50V,X7R,TP,1608	1	S.N.A	
....4	C746	2203-005249	C-CER,CHIP;100nF,10%,50V,X7R,TP,1608	1	S.N.A	
....4	C747	2203-005249	C-CER,CHIP;100nF,10%,50V,X7R,TP,1608	1	S.N.A	
....4	C748	2203-005249	C-CER,CHIP;100nF,10%,50V,X7R,TP,1608	1	S.N.A	
....4	C749	2203-005249	C-CER,CHIP;100nF,10%,50V,X7R,TP,1608	1	S.N.A	
....4	C750	2203-005249	C-CER,CHIP;100nF,10%,50V,X7R,TP,1608	1	S.N.A	
....4	C751	2203-005249	C-CER,CHIP;100nF,10%,50V,X7R,TP,1608	1	S.N.A	
....4	C752	2203-005249	C-CER,CHIP;100nF,10%,50V,X7R,TP,1608	1	S.N.A	
....4	C107	2203-005261	C-CER,CHIP;1000nF,10%,25V,X7R,3216	1	S.N.A	
....4	C120	2203-005437	C-CER,CHIP;10000nF,+80-20%,10V,Y5V,3216	1	S.N.A	
....4	C141	2203-005437	C-CER,CHIP;10000nF,+80-20%,10V,Y5V,3216	1	S.N.A	
....4	C144	2203-005437	C-CER,CHIP;10000nF,+80-20%,10V,Y5V,3216	1	S.N.A	
....4	C334	2203-006336	C-CER,CHIP;10000nF,10%,25V,X5R,3216	1	S.A	
....4	C113	2203-006361	C-CER,CHIP;10000nF,10%,10V,X5R,TP,2012	1	S.A	
....4	C152	2203-006361	C-CER,CHIP;10000nF,10%,10V,X5R,TP,2012	1	S.A	
....4	C154	2203-006361	C-CER,CHIP;10000nF,10%,10V,X5R,TP,2012	1	S.A	
....4	C155	2203-006361	C-CER,CHIP;10000nF,10%,10V,X5R,TP,2012	1	S.A	
....4	C156	2203-006361	C-CER,CHIP;10000nF,10%,10V,X5R,TP,2012	1	S.A	
....4	C157	2203-006361	C-CER,CHIP;10000nF,10%,10V,X5R,TP,2012	1	S.A	
....4	C158	2203-006361	C-CER,CHIP;10000nF,10%,10V,X5R,TP,2012	1	S.A	
....4	C159	2203-006361	C-CER,CHIP;10000nF,10%,10V,X5R,TP,2012	1	S.A	
....4	C160	2203-006361	C-CER,CHIP;10000nF,10%,10V,X5R,TP,2012	1	S.A	
....4	C161	2203-006361	C-CER,CHIP;10000nF,10%,10V,X5R,TP,2012	1	S.A	
....4	C179	2203-006361	C-CER,CHIP;10000nF,10%,10V,X5R,TP,2012	1	S.A	
....4	C180	2203-006361	C-CER,CHIP;10000nF,10%,10V,X5R,TP,2012	1	S.A	
....4	C181	2203-006361	C-CER,CHIP;10000nF,10%,10V,X5R,TP,2012	1	S.A	

5. Exploded View & Part List

Level	Location No.	Code No.	Description & Specification	Q'ty	SA/SNA	Remark
...4	C186	2203-006361	C-CER,CHIP;1000nF,10%,10V,X5R,TP,2012	1	S.A	
...4	C187	2203-006361	C-CER,CHIP;1000nF,10%,10V,X5R,TP,2012	1	S.A	
...4	C232	2203-006361	C-CER,CHIP;1000nF,10%,10V,X5R,TP,2012	1	S.A	
...4	C241	2203-006361	C-CER,CHIP;1000nF,10%,10V,X5R,TP,2012	1	S.A	
...4	C300	2203-006361	C-CER,CHIP;1000nF,10%,10V,X5R,TP,2012	1	S.A	
...4	C303	2203-006361	C-CER,CHIP;1000nF,10%,10V,X5R,TP,2012	1	S.A	
...4	C405	2203-006361	C-CER,CHIP;1000nF,10%,10V,X5R,TP,2012	1	S.A	
...4	C415	2203-006361	C-CER,CHIP;1000nF,10%,10V,X5R,TP,2012	1	S.A	
...4	C431	2203-006361	C-CER,CHIP;1000nF,10%,10V,X5R,TP,2012	1	S.A	
...4	C437	2203-006361	C-CER,CHIP;1000nF,10%,10V,X5R,TP,2012	1	S.A	
...4	C446	2203-006361	C-CER,CHIP;1000nF,10%,10V,X5R,TP,2012	1	S.A	
...4	C505	2203-006361	C-CER,CHIP;1000nF,10%,10V,X5R,TP,2012	1	S.A	
...4	C507	2203-006361	C-CER,CHIP;1000nF,10%,10V,X5R,TP,2012	1	S.A	
...4	C511	2203-006361	C-CER,CHIP;1000nF,10%,10V,X5R,TP,2012	1	S.A	
...4	C514	2203-006361	C-CER,CHIP;1000nF,10%,10V,X5R,TP,2012	1	S.A	
...4	C515	2203-006361	C-CER,CHIP;1000nF,10%,10V,X5R,TP,2012	1	S.A	
...4	C516	2203-006361	C-CER,CHIP;1000nF,10%,10V,X5R,TP,2012	1	S.A	
...4	C602	2203-006361	C-CER,CHIP;1000nF,10%,10V,X5R,TP,2012	1	S.A	
...4	C604	2203-006361	C-CER,CHIP;1000nF,10%,10V,X5R,TP,2012	1	S.A	
...4	C608	2203-006361	C-CER,CHIP;1000nF,10%,10V,X5R,TP,2012	1	S.A	
...4	C609	2203-006361	C-CER,CHIP;1000nF,10%,10V,X5R,TP,2012	1	S.A	
...4	C700	2203-006361	C-CER,CHIP;1000nF,10%,10V,X5R,TP,2012	1	S.A	
...4	C716	2203-006361	C-CER,CHIP;1000nF,10%,10V,X5R,TP,2012	1	S.A	
...4	C728	2203-006361	C-CER,CHIP;1000nF,10%,10V,X5R,TP,2012	1	S.A	
...4	C329	2203-006618	C-CER,CHIP;220nF,+80-20%,16V,Y5V,-,1608	1	S.N.A	
...4	C330	2203-006618	C-CER,CHIP;220nF,+80-20%,16V,Y5V,-,1608	1	S.N.A	
...4	C331	2203-006618	C-CER,CHIP;220nF,+80-20%,16V,Y5V,-,1608	1	S.N.A	
...4	C332	2203-006618	C-CER,CHIP;220nF,+80-20%,16V,Y5V,-,1608	1	S.N.A	
...4	T0052	2703-000158	INDUCTOR-SMD;1uH,10%,2012	1	S.A	
...4	T0052	2703-000158	INDUCTOR-SMD;1uH,10%,2012	1	S.A	
...4	T0052	2703-000158	INDUCTOR-SMD;1uH,10%,2012	1	S.A	
...4	T0052	2703-000158	INDUCTOR-SMD;1uH,10%,2012	1	S.A	
...4	T0052	2703-000398	INDUCTOR-SMD;10uH,10%,3225	1	S.A	
...4	T0052	2703-000398	INDUCTOR-SMD;10uH,10%,3225	1	S.A	
...4	T0052	2703-000398	INDUCTOR-SMD;10uH,10%,3225	1	S.A	
...4	T0052	2703-000398	INDUCTOR-SMD;10uH,10%,3225	1	S.A	
...4	T0052	2703-000417	INDUCTOR-SMD;220uH,5%,3225	1	S.A	
...4	T0052	2703-001334	INDUCTOR-SMD;1.5uH,10%,2012	1	S.A	
...4	T0052	2703-001426	INDUCTOR-SMD;680uH,20%,7070	1	S.A	
...4	T0052	2703-001778	INDUCTOR-SMD;3.3uH,20%,3225	1	S.A	
...4	T0052	2703-001778	INDUCTOR-SMD;3.3uH,20%,3225	1	S.A	
...4	L702	2704-000018	INDUCTOR-SMD-ARRAY;15uH,2000mA,2,0.124oh	1	S.N.A	
...4	L703	2704-000018	INDUCTOR-SMD-ARRAY;15uH,2000mA,2,0.124oh	1	S.N.A	
...4	X202	2801-003773	CRYSTAL-SMD;12MHz,30ppm,28-AAN,20pF,50oh	1	S.A	
...4	X202	2801-004604	CRYSTAL-SMD;24.69MHz,30ppm,27pF,40ohm,TP	1	S.A	
...4	T0568	3301-001145	BEAD-SMD;60ohm,4516,TP,70ohm/45MHz,82ohm	1	S.N.A	
...4	T0568	3301-001145	BEAD-SMD;60ohm,4516,TP,70ohm/45MHz,82ohm	1	S.N.A	
...4	T0568	3301-001145	BEAD-SMD;60ohm,4516,TP,70ohm/45MHz,82ohm	1	S.N.A	
...4	T0568	3301-001145	BEAD-SMD;60ohm,4516,TP,70ohm/45MHz,82ohm	1	S.N.A	
...4	T0568	3301-001145	BEAD-SMD;60ohm,4516,TP,70ohm/45MHz,82ohm	1	S.N.A	
...4	T0568	3301-001145	BEAD-SMD;60ohm,4516,TP,70ohm/45MHz,82ohm	1	S.N.A	

5. Exploded View & Part List

Level	Location No.	Code No.	Description & Specification	Q'ty	SA/SNA	Remark
....4	T0568	3301-001145	BEAD-SMD;60ohm,4516,TP,70ohm/45MHz,82ohm	1	S.N.A	
....4	T0568	3301-001145	BEAD-SMD;60ohm,4516,TP,70ohm/45MHz,82ohm	1	S.N.A	
....4	T0568	3301-001145	BEAD-SMD;60ohm,4516,TP,70ohm/45MHz,82ohm	1	S.N.A	
....4	T0568	3301-001145	BEAD-SMD;60ohm,4516,TP,70ohm/45MHz,82ohm	1	S.N.A	
....4	T0568	3301-001145	BEAD-SMD;60ohm,4516,TP,70ohm/45MHz,82ohm	1	S.N.A	
....4	T0568	3301-001404	BEAD-SMD;30ohm,2012,TP,15.9OHM/30MHz	1	S.A	
....4	T0568	3301-001404	BEAD-SMD;30ohm,2012,TP,15.9OHM/30MHz	1	S.A	
....4	T0568	3301-001404	BEAD-SMD;30ohm,2012,TP,15.9OHM/30MHz	1	S.A	
....4	T0568	3301-001793	BEAD-SMD;18ohm,1608,-,TP,11.8ohm/37.6MHz	1	S.A	
....4	T0568	3301-001793	BEAD-SMD;18ohm,1608,-,TP,11.8ohm/37.6MHz	1	S.A	
....4	T0568	3301-001793	BEAD-SMD;18ohm,1608,-,TP,11.8ohm/37.6MHz	1	S.A	
....4	T0313	3404-001207	SWITCH-TACT;12V,50mA,160gf,6.2X6.2,SPST	1	S.A	
....4	CN508	3701-001367	CONNECTOR-HDMI;19P,2R,FEMALE,SMD,AU	1	S.A	
....4	CN330	3711-005499	HEADER-BOARD TO CABLE;BOX,8P,1R,1.25mm,S	1	S.N.A	
....4	CN330	3711-005503	HEADER-BOARD TO CABLE;BOX,9P,1R,2mm,SMD-	1	S.N.A	
....4	T0010	BN27-00009A	COIL CHOKE;SMD 12x12x6,EOS,33uH,15%,-,0.	1	S.A	
....4	M0018	BN97-02147A	ASSY MICOM;LS22TDNSUV/ZA	1	S.N.A	
....5	IC202	1107-001735	IC-NOR FLASH;MX25L3205DM2I-12G,32Mbit,16	1	S.A	
....4	R100	2007-000041	R-CHIP;475ohm,1%,1/10W,TP,1608	1	S.A	
....4	R105	2007-000041	R-CHIP;475ohm,1%,1/10W,TP,1608	1	S.A	
....4	R526	2007-000329	R-CHIP;11Kohm,5%,1/10W,TP,1608	1	S.N.A	
....4	R527	2007-000329	R-CHIP;11Kohm,5%,1/10W,TP,1608	1	S.N.A	
....4	R129	2007-002425	R-CHIP;1ohm,5%,1/10W,TP,1608	1	S.N.A	
....4	R130	2007-002425	R-CHIP;1ohm,5%,1/10W,TP,1608	1	S.N.A	
....4	R131	2007-002425	R-CHIP;1ohm,5%,1/10W,TP,1608	1	S.N.A	
....4	R132	2007-002425	R-CHIP;1ohm,5%,1/10W,TP,1608	1	S.N.A	
....4	R431	2007-002425	R-CHIP;1ohm,5%,1/10W,TP,1608	1	S.N.A	
....4	R602	2007-003020	R-CHIP;4.3Kohm,5%,1/16W,TP,1005	1	S.A	
....4	C404	2203-001155	C-CER,CHIP;0.068nF,5%,50V,NP0,TP,1608	1	S.A	
....4	C407	2203-001155	C-CER,CHIP;0.068nF,5%,50V,NP0,TP,1608	1	S.A	
....4	C121	2203-007176	C-CER,CHIP;10000nF,10%,16V,X5R,TP,2012 (1	S.N.A	
....4	C406	2203-007176	C-CER,CHIP;10000nF,10%,16V,X5R,TP,2012 (1	S.N.A	
....4	Q202	0504-001129	TR-DIGITAL;KRC104S-I,NPN,200MW,47K/47K,S	1	S.A	
....4	F503	3601-001376	FUSE-SURFACE MOUNT;32V,3A,FAST-ACTING,Hi	1	S.N.A	
....4	C124	2203-000975	C-CER,CHIP;47nF,10%,25V,X7R,TP,1608,-	1	S.N.A	
....4	C104	2402-001128	C-AL,SMD;100µF,20%,16V,-,TP,6.3X5.7mm	1	S.A	
....4	C108	2402-001128	C-AL,SMD;100µF,20%,16V,-,TP,6.3X5.7mm	1	S.A	
....4	C118	2402-001128	C-AL,SMD;100µF,20%,16V,-,TP,6.3X5.7mm	1	S.A	
....4	C199	2402-001128	C-AL,SMD;100µF,20%,16V,-,TP,6.3X5.7mm	1	S.A	
....4	C335	2402-001128	C-AL,SMD;100µF,20%,16V,-,TP,6.3X5.7mm	1	S.A	
....4	C444	2402-001147	C-AL,SMD;3.3UF,20%,50V,WT,TP,4X5.8MM	1	S.A	
....4	C106	2402-001174	C-AL,SMD;220UF,20%,10V,WT,TP,8X6.3MM	1	S.A	
....4	C117	2402-001178	C-AL,SMD;10uF,20%,16V,WT,TP,4.3x4.3x5.8m	1	S.N.A	
....4	C110	2402-001226	C-AL,SMD;4.7UF,20%,35V,HR,TP,4.3X4.3X5.8	1	S.N.A	
....4	C131	2402-001226	C-AL,SMD;4.7UF,20%,35V,HR,TP,4.3X4.3X5.8	1	S.N.A	
....4	C135	2402-001257	C-AL,SMD;470uF,20%,16V,-,TP,8.3*10	1	S.A	
....4	C718	2402-001268	C-AL,SMD;100uF,20%,25V,WT,TP,8x6.3mm	1	S.A	
....4	C721	2402-001268	C-AL,SMD;100uF,20%,25V,WT,TP,8x6.3mm	1	S.A	
....4	C129	2402-001273	C-AL,SMD;220uF,20%,35V,WT,REEL,10X10mm	1	S.A	
....4	T0568	3301-001236	BEAD-SMD;60ohm,1608,-,-,-	1	S.N.A	
....4	T0568	3301-001526	BEAD-SMD;10ohm,1.6x0.8x0.8mm,1000mA,TP,,	1	S.N.A	

5. Exploded View & Part List

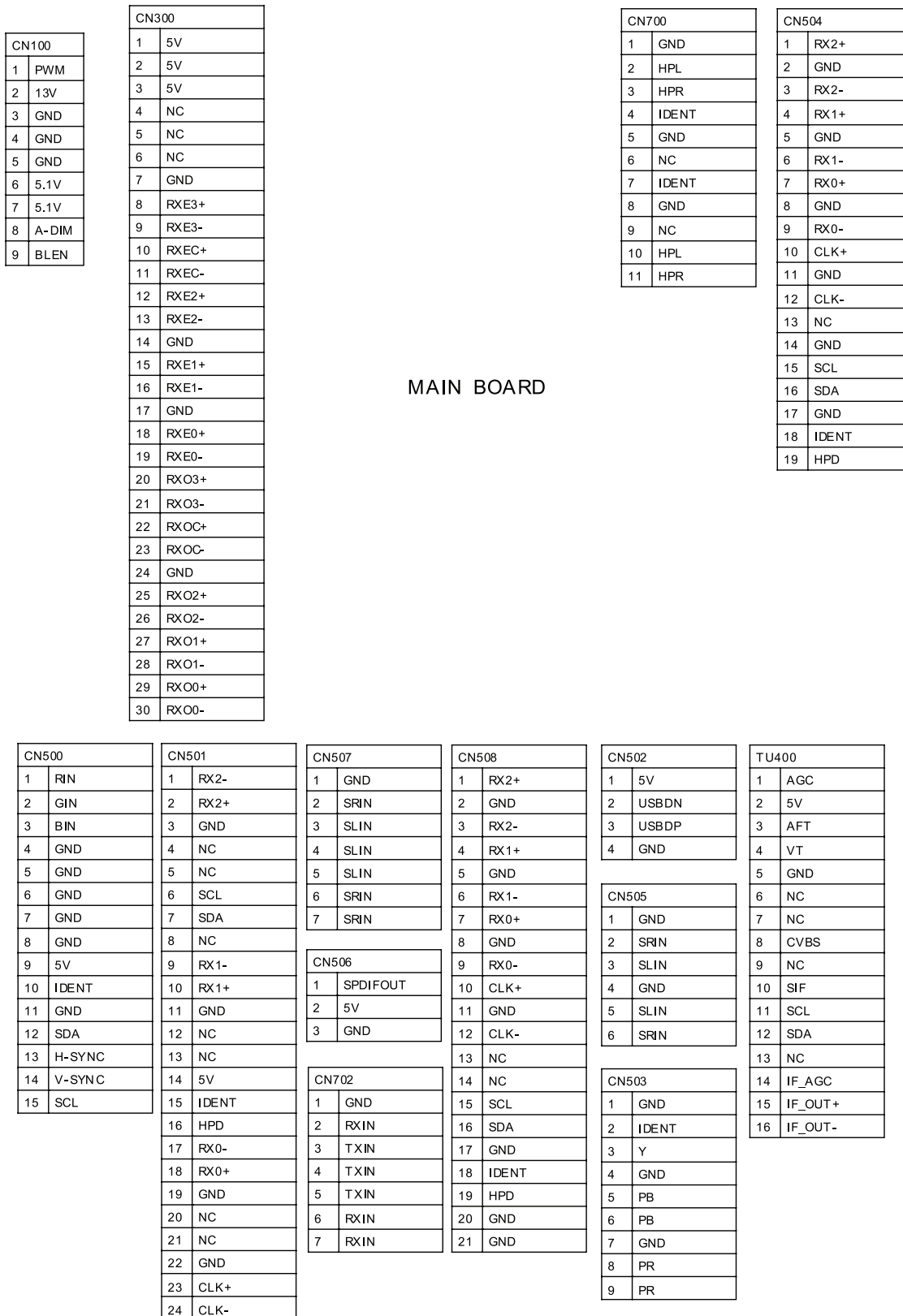
Level	Location No.	Code No.	Description & Specification	Q'ty	SA/SNA	Remark
...4	T0568	3301-001526	BEAD-SMD;10ohm,1.6x0.8x0.8mm,1000mA,TP,,	1	S.N.A	
...4	T0568	3301-001526	BEAD-SMD;10ohm,1.6x0.8x0.8mm,1000mA,TP,,	1	S.N.A	
...4	T0568	3301-001526	BEAD-SMD;10ohm,1.6x0.8x0.8mm,1000mA,TP,,	1	S.N.A	
...4	T0568	3301-001526	BEAD-SMD;10ohm,1.6x0.8x0.8mm,1000mA,TP,,	1	S.N.A	
...4	T0568	3301-001526	BEAD-SMD;10ohm,1.6x0.8x0.8mm,1000mA,TP,,	1	S.N.A	
...4	T0568	3301-001526	BEAD-SMD;10ohm,1.6x0.8x0.8mm,1000mA,TP,,	1	S.N.A	
...4	T0568	3301-001560	BEAD-SMD;80ohm,1.6X0.8X0.8mm,200mA,TP,,	1	S.N.A	
...4	T0568	3301-001560	BEAD-SMD;80ohm,1.6X0.8X0.8mm,200mA,TP,,	1	S.N.A	
...4	T0568	3301-001560	BEAD-SMD;80ohm,1.6X0.8X0.8mm,200mA,TP,,	1	S.N.A	
...4	T0568	3301-001560	BEAD-SMD;80ohm,1.6X0.8X0.8mm,200mA,TP,,	1	S.N.A	
...4	T0568	3301-001560	BEAD-SMD;80ohm,1.6X0.8X0.8mm,200mA,TP,,	1	S.N.A	
...4	T0568	3301-001560	BEAD-SMD;80ohm,1.6X0.8X0.8mm,200mA,TP,,	1	S.N.A	
...4	T0568	3301-001560	BEAD-SMD;80ohm,1.6X0.8X0.8mm,200mA,TP,,	1	S.N.A	
...4	T0568	3301-001560	BEAD-SMD;80ohm,1.6X0.8X0.8mm,200mA,TP,,	1	S.N.A	
...4	T0568	3301-001560	BEAD-SMD;80ohm,1.6X0.8X0.8mm,200mA,TP,,	1	S.N.A	
...4	M0106	3708-001150	CONNECTOR-FPC/FFC/PIC;30P,1mm,SMD-A,SN,Y	1	S.A	
...4	T0077	BN41-01010B	PCB MAIN;T-MFM,FR-4,4L,PCB1.1,1.6T,T200H	1	S.N.A	
...3	T0073	AA63-00929A	GASKET-EMI;PS37S4A,Conductive Fabric,1.0	1	S.A	
...3	T0066	BP62-00047A	HEAT SINK-ES;DLP,A6063S,T2.5,13,13,TAPE	1	S.N.A	
...3	CN330	3711-000058	HEADER-BOARD TO CABLE;BOX,4P,1R,2.5MM,AN	1	S.N.A	
...3	JA333	3722-001903	JACK-PIN;2P,AU,WHT/RED,STRAIGHT	1	S.A	
...3	JA333	3722-001938	JACK-PIN;3P,AU,GRN/BLU/RED,STRAIGHT	1	S.A	
..2	M0251	BN96-07252D	ASSY CABLE P;T-MFM,FFC,FC643130118012,70	1	S.A	
..2	M0006	BN96-08149B	ASSY SHIELD P-COVER;LS22TD(MFM),USA_KOR,	1	S.N.A	
...3	T0073	BH63-00008A	GASKET-EMI;IB10LO,CONDUCTIVE FABRIC,3MM,	1	S.N.A	
...3	M0131	BH63-00104A	GASKET;POSEIDON,CONDUCTIVE FABRIC,2MM,10	4	S.N.A	
...3		BN61-02429D	STUD-PEM;PNB,M2.8,D7,L20,ZPC(SIL),SUM24L	2	S.N.A	
...3		BN61-02429F	STUD-PEM;PNB,M2.8,D7,L28,ZPC(SIL),SUM24L	1	S.N.A	
...3	M0114	BN61-02500A	HOLDER-WIRE;NYLON6.6,NATURAL	1	S.N.A	
...3		BN61-03913A	BRACKET-STAND FRAME;T(22W MFM),SECC,T 1.	1	S.N.A	
...3	M0107	BN63-04406B	SHIELD-COVER;T220HD,SECC,T 0.8	1	S.N.A	
...3		BN61-03594A	SPRING ETC-STAND;Mckinley,SUS304,T0.3,SI	1	S.N.A	
..2	T0562	6046-001014	STAND OFF;#4-40,L6,NI PLT,C3601,-	4	S.N.A	
..2	CCMM1	BN73-00192A	SILICON/RUBBER;T-MFM,GAPPAD1500,20X20X8	1	S.N.A	
..2	CCMM1	BN73-00197A	SILICON/RUBBER;T-MFM,SILICON,13X13X5	1	S.N.A	
..2	M0081	6003-001023	SCREW-TAPTITE;PWH,+,-,B,M3,L10,ZPC(WHT),	3	S.N.A	
..2	M0081	6003-001023	SCREW-TAPTITE;PWH,+,-,B,M3,L10,ZPC(WHT),	4	S.N.A	
0.1	M0045	BN92-03411A	ASSY ACCESSORY;LS22TDNSUV/ZA	1	S.N.A	
..2	M0125	BN39-00246K	CBF SIGNAL-DVI(D);DVI-Cable,24P/24P,2027	1	S.A	
..2	M0254	BN96-07540A	ASSY ACCESSORY-CABLE&MANUAL;LS22TDDSUVE	1	S.A	
...3	T0268	3903-000085	CBF-POWER CORD;DT,US,BP3/YES,I(IEC C13/C	1	S.A	
...3	T0524	6902-000110	BAG PE;LDPE,T0.05,W250,L400,TRP,28,2,-,9	1	S.N.A	
...3		BH68-00261F	MARK RECYCLE-CARD WARRANTY-05;SyncMaster	1	S.N.A	
...3		BH68-00344C	MARK RECYCLE-03,WARRANTY CARD;SECA W'TY	1	S.N.A	
...3	M0215	BN96-07406A	ASSY MANUAL P-IB+QSG;T22M,NA,BN59-00720A	1	S.N.A	
...4		BN59-00720A	S/W DRIVER-04,IB;T22M,Syncmaster,NA	1	S.N.A	
...4		BN68-01509A	MANUAL FLYER-01,QSG;T22M,SyncMaster,NA,M	1	S.N.A	
...3	T0128	BN39-00061C	CBF SIGNAL-STEREO;Mckinley,1,male,1.5m,B	1	S.A	
...3		BN68-01600A	MANUAL FLYER-01, LEAFLET;COMM,SAMSUNG,En	1	S.N.A	
...3	M9889	BN63-01798B	CLOTH-CLEAN;cloth,180,200,sea blue,ToC	1	S.N.A	

5. Exploded View & Part List

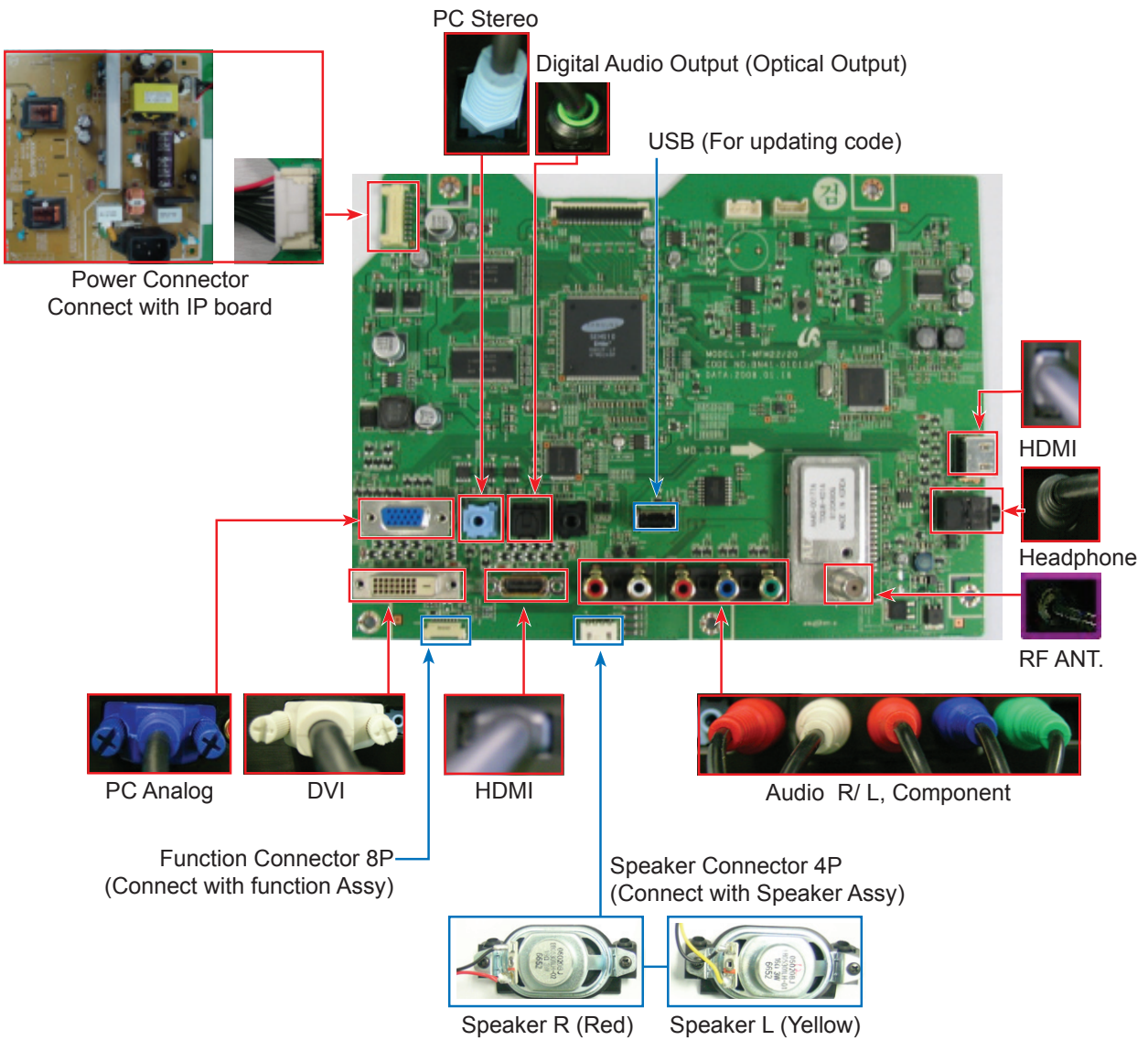
Level	Location No.	Code No.	Description & Specification	Q'ty	SA/SNA	Remark
..2	T0074	BN59-00678A	REMOCON;TM-95,39,AMERICA	1	S.A	
..2	STD	BN96-07347D	ASSY STAND P-BODY;LS22TD,PMMA ABS HB, SM	1	S.A	
...3	M0081	6003-000275	SCREW-TAPTITE;BH,+,-,B,M3,L10,ZPC(BLK),S	5	S.N.A	
...3	T0524	6902-000956	BAG PE;HDPE/NITRON,T0.015/T0.5,W200,L200	1	S.N.A	
...3		BN63-04404A	COVER-STAND FRONT;T200D / T220D,PMMA+ABS	1	S.N.A	
...3		BN63-04407A	COVER-STAND REAR;T200D , T220D,PMMA+ABS,	1	S.N.A	
...3	T0054	BN96-07341B	ASSY HINGE P;LS22TW,SM50 T2.0	1	S.N.A	
....4		BN60-00073A	SPACER-WASHER;Mckinley,SK-5,6.0,12.0,T0.	6	S.N.A	
....4		BN61-03855A	SPRING ETC-DISK;Mckinley,SK-5,6.0,12.0,T	6	S.N.A	
....4		BN61-03904B	BRACKET-STAND TILT;T-PROJECT(22W),SM50C,	1	S.N.A	
....4		BN61-03905A	BRACKET-STAND BODY;T22W,HGI,T 2.0	1	S.N.A	
....4		BN66-00015A	SHAFT-HINGE;Mckinley,S45C,12.0	2	S.N.A	
..2	M0114	BN39-00244G	CBF SIGNAL;D-sub cable,15P/15P,20276N,15	1	S.A	
..2	M0027	BN96-07345B	ASSY STAND P-BASE;LS22TW,ABS HB PMMA,RD0	1	S.A	
...3	M0081	6003-000115	SCREW-TAPTITE;BH,+ ,B,M3,L6,ZPC(BLK),SWRC	4	S.N.A	
...3	CIS4	BN61-01717A	HOLDER-STAND;BIZET,NI PLT,CH,+ ,M4,L11(5)	1	S.N.A	
...3		BN61-03907A	BRACKET-STAND BOTTOM;T22W,SECC,T 0.8	1	S.N.A	
...3	CCM1	BN63-02183K	COVER-SHEET;RhcM,PE Vinyl,T 0.05,250MM,2	0.3	S.N.A	
...3	T0004	BN63-04390A	COVER-STAND BASE;T220,PMMA+ABS,HB,RD02,H	1	S.N.A	
...3		BN68-01519A	MANUAL FLYER-QSG;COMM,SyncMaster,WW,Mojo	1	S.N.A	
...3		BN96-06529A	ASSY HOLDER P-WIRE;MCKINLEY,ABS HB,BK23	1	S.N.A	
....4		6902-000336	BAG ZIPPER;LDPE,T0.05,W70,L80,TRP,-,-,-,	1	S.N.A	
....4	M0114	BN61-03555A	HOLDER-WIRE;MCKINLEY,ABS HB,BK26	1	S.N.A	
...3	T0132	BN73-00077A	RUBBER FOOT;MATISSE,BUMPON,Φ13.5,T2.0,6	4	S.N.A	
...3	T0132	BN73-00077A	RUBBER FOOT;MATISSE,BUMPON,Φ13.5,T2.0,6	4	S.N.A	
...3	T0524	6902-000109	BAG PE;HDPE,T0.015,W350,L430,TRP,28,2,-,	1	S.N.A	
0.1	M0003	BN92-03412A	ASSY BOX;LS22TDNSUV/ZA	1	S.N.A	
..2		BN96-02895A	ASSY MISC P-01,HANDLE PACKING;ALL MODEL,	1	S.N.A	
...3	M0103	BN66-00007A	LEVER-TOP;ALL MODEL,LDPE,WHITE	1	S.N.A	
...3	M0102	BN66-00008A	LEVER-BOTTOM;ALL MODEL,LDPE,WHITE	1	S.N.A	
..2		BN69-02600B	BOX-03,SET;T22-MFM,CB,A-01,SW-55,W589,D5	1.02	S.N.A	
0.1	M0113	BN92-03420A	ASSY P/MATERIAL;LS22TDNSUV/ZA	1	S.N.A	
..2	T0376	6902-000061	BAG AIR;LDPE,T0.2,W500,L1000,TRP,-,-,-,3	0.009	S.N.A	
..2	T0376	6902-000379	BAG AIR;LDPE,T0.2,W1000,L1800,TRP,-,-,-,	0.039	S.N.A	
..2	T0003	6902-000604	BAG WRAPPING;LDPE,T0.02,W500,L10000,TRP,	1.52	S.N.A	
..2	M0081	6902-000609	BAG ROLL;LDPE,T0.05,W2400,L1000,TRP,-,-,	0.038	S.N.A	
..2	T0524	6902-000520	BAG PE;HDPE/NITRON,T0.015/T0.5(DOUBLE),W	1	S.N.A	
0.1	M0019	BN92-03421A	ASSY LABEL;LS22TDNSUV/ZA	1	S.N.A	

6. Wiring Diagram

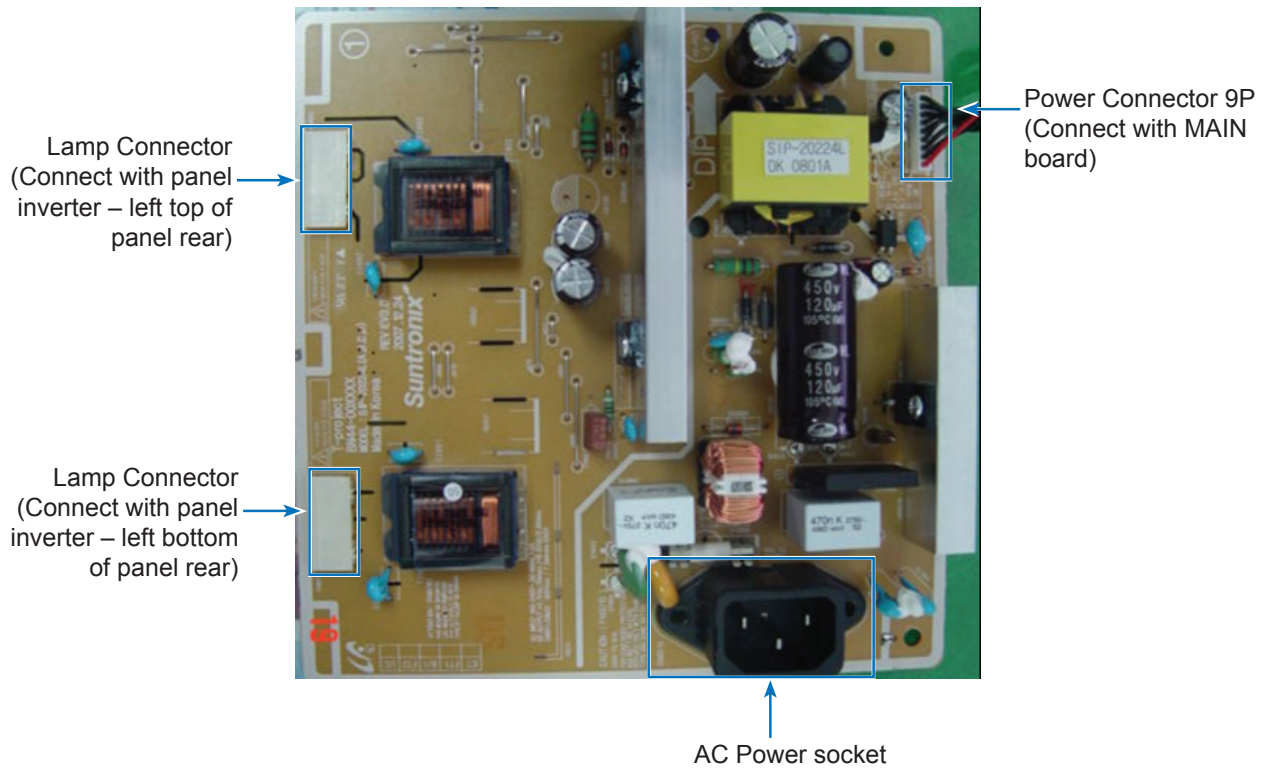
6-1. Wiring Diagram - Main Board



6-2. Wiring Diagram - Main Board

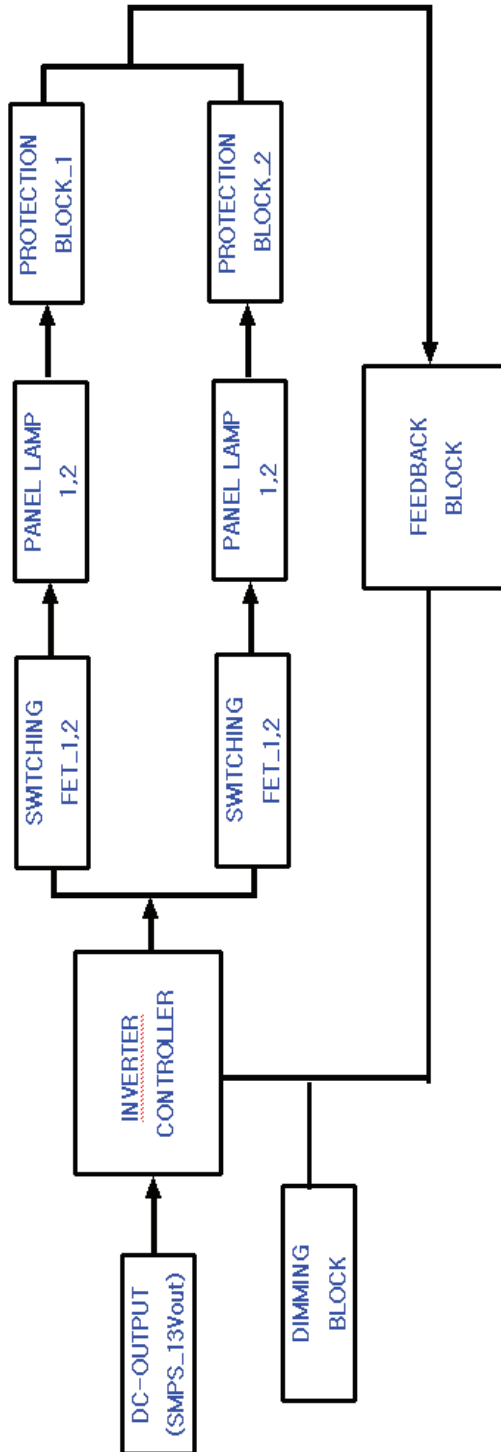


6-3. Wiring Diagram - IP Board



Memo

7-2. Block Diagram (IP Board)

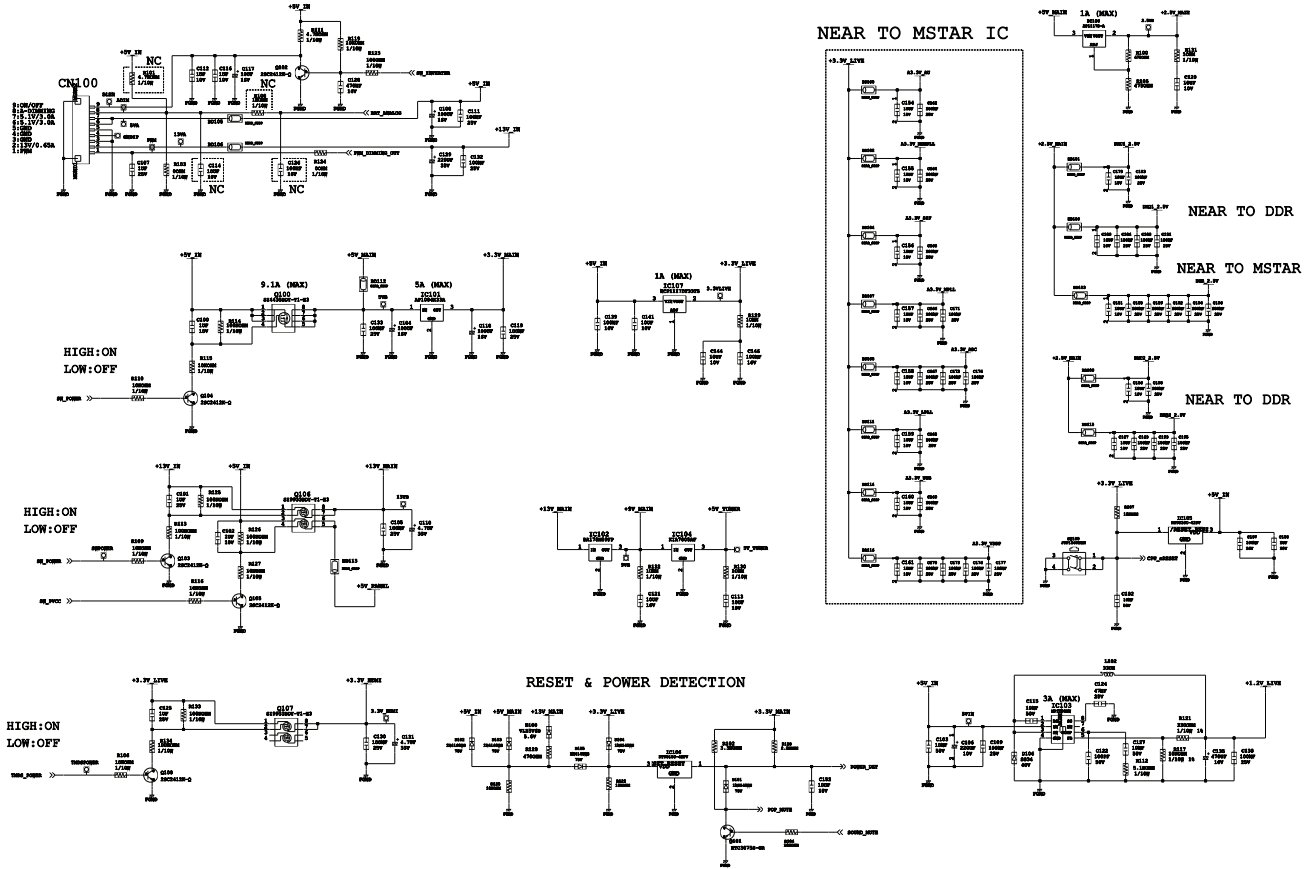


Memo

7-4. Schematic Diagrams

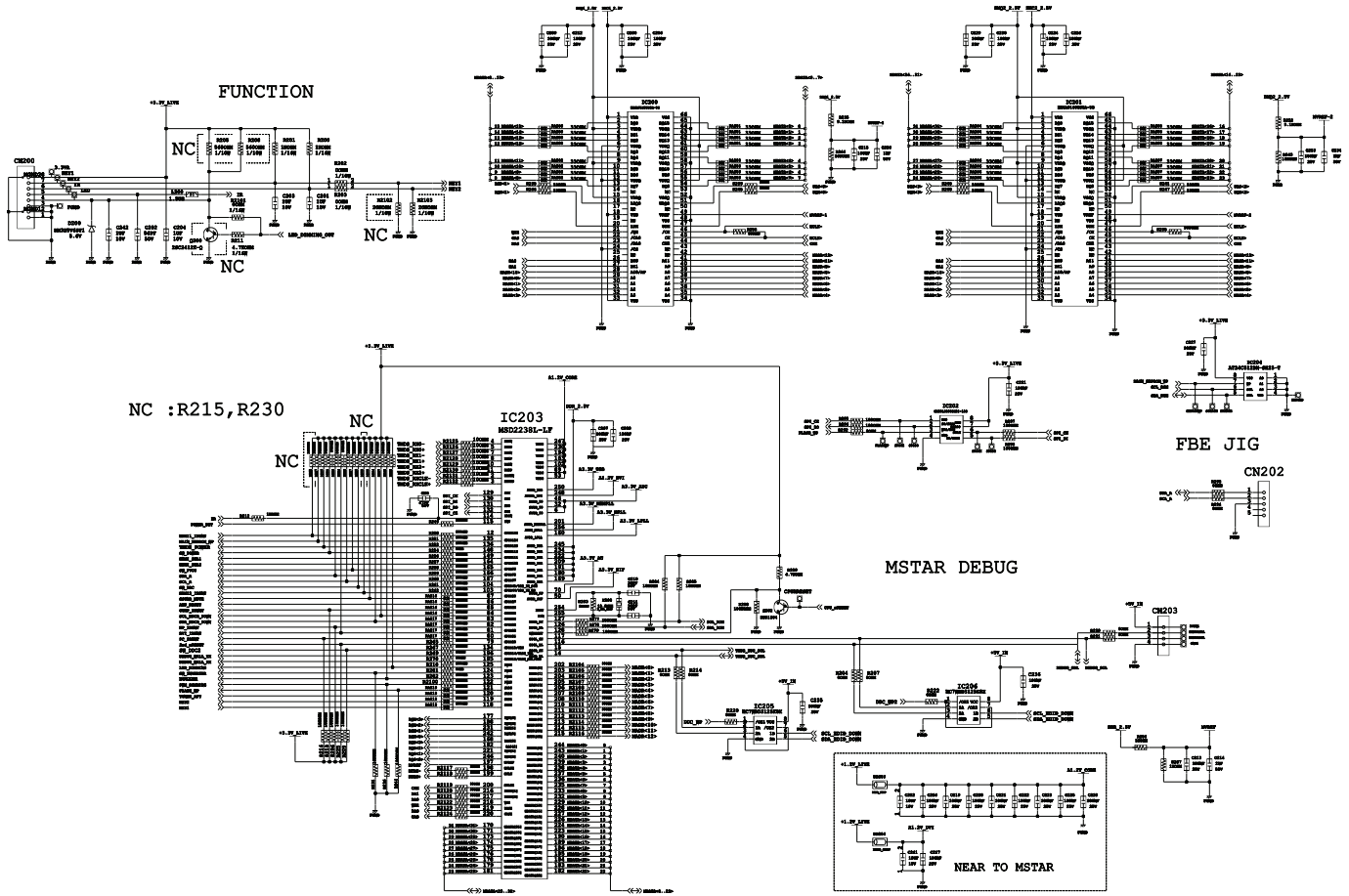
This Document can not be used without Samsung's authorization.

7-4-1. Schematic Diagrams (POWER)



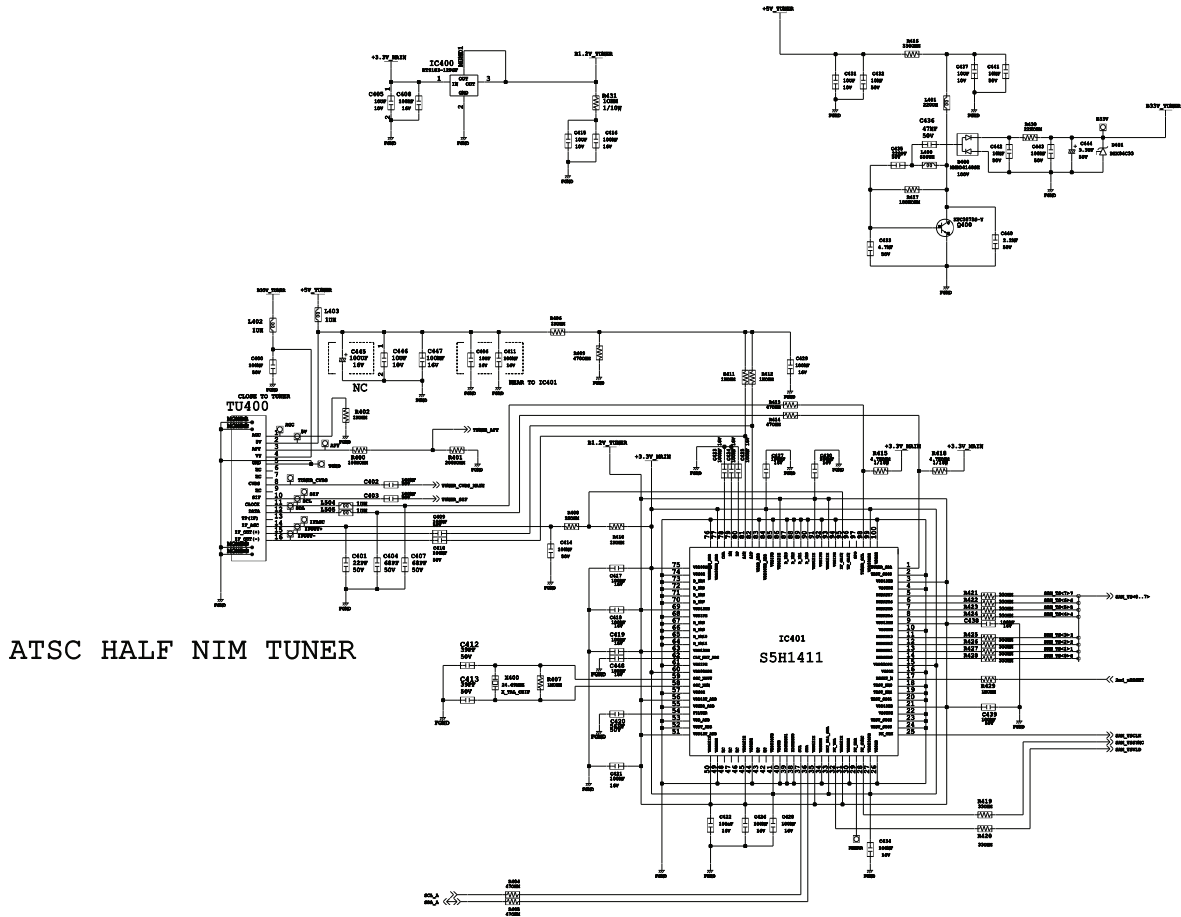
7-4-2. Schematic Diagrams (Function / DDR Memory / Scaler)

This Document can not be used without Samsungs authorization.



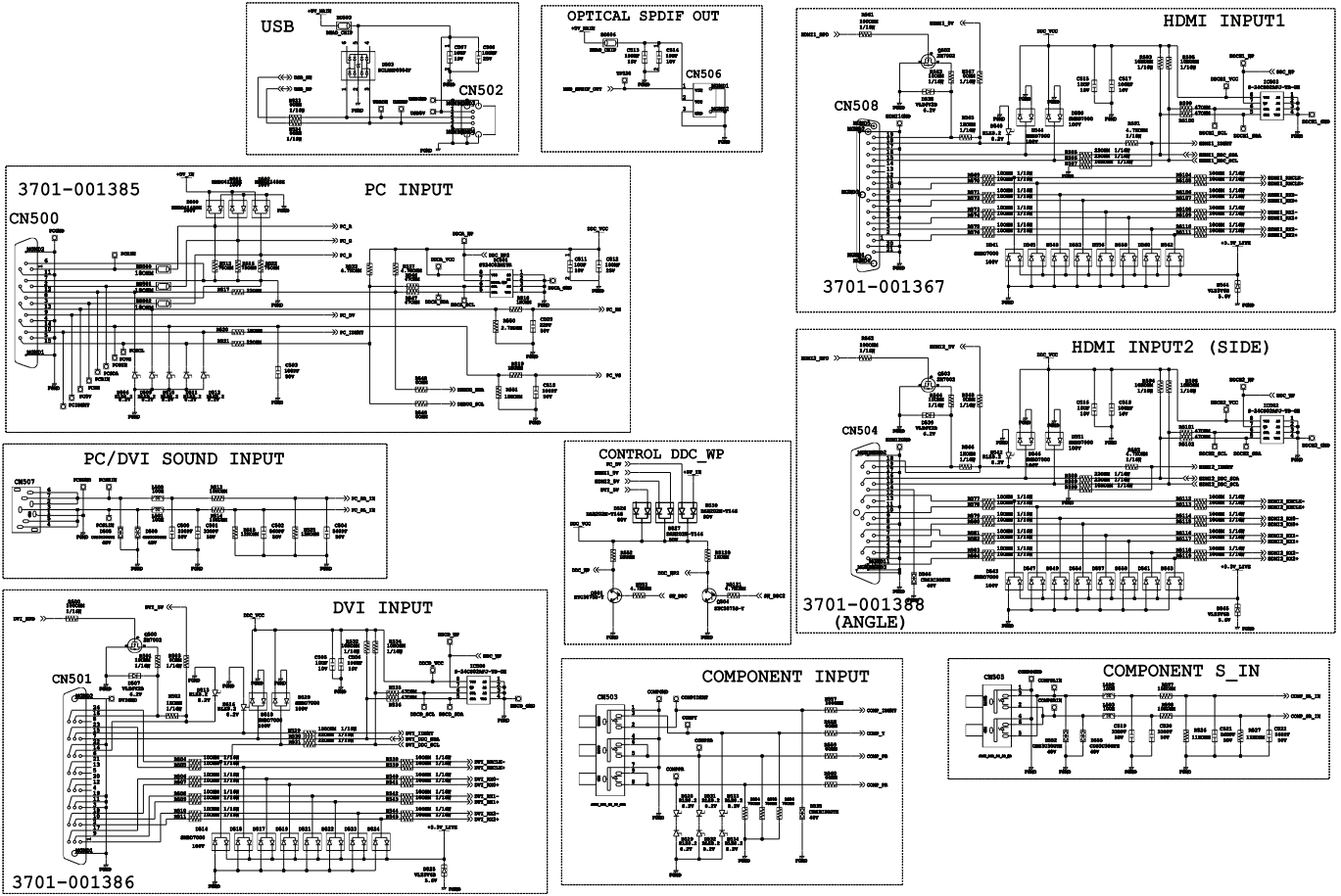
7-4-4. Schematic Diagrams (Tuner / Channel Chip)

This Document can not be used without Samsungs authorization.



7-4-5. Schematic Diagrams (Connector)

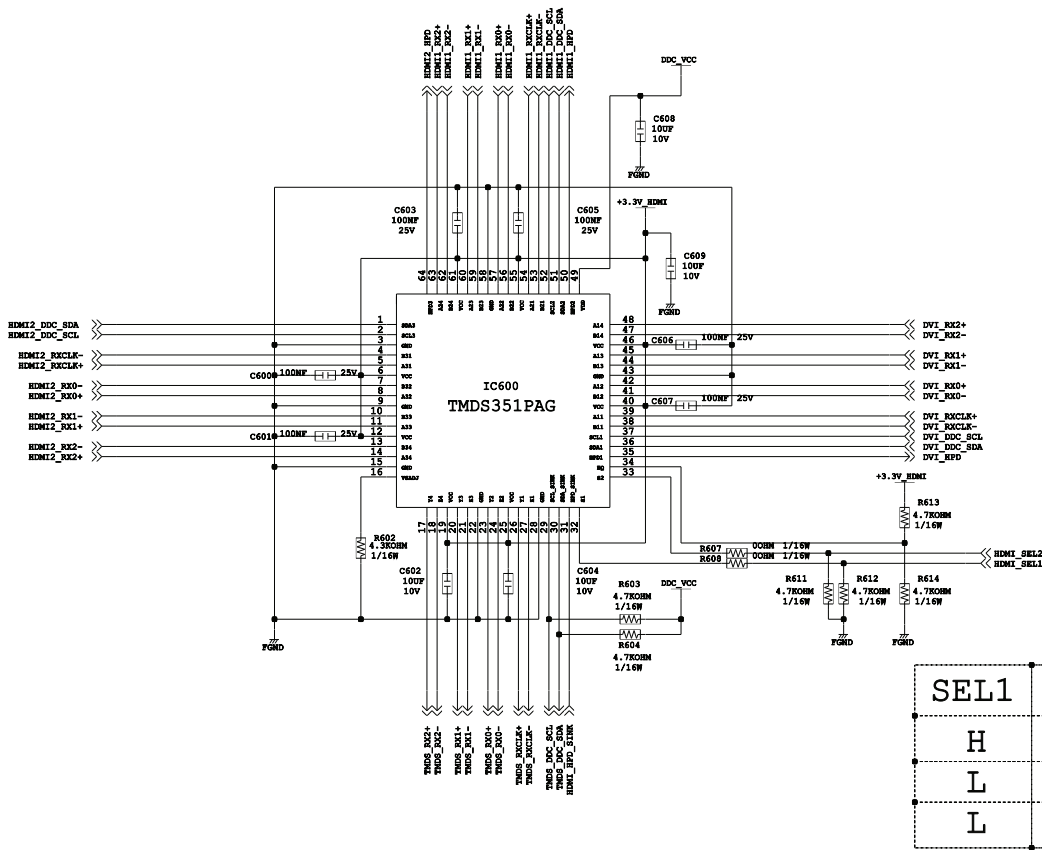
This Document can not be used without Samsungs authorization.



7-4-6. Schematic Diagrams (TMDS Switch)

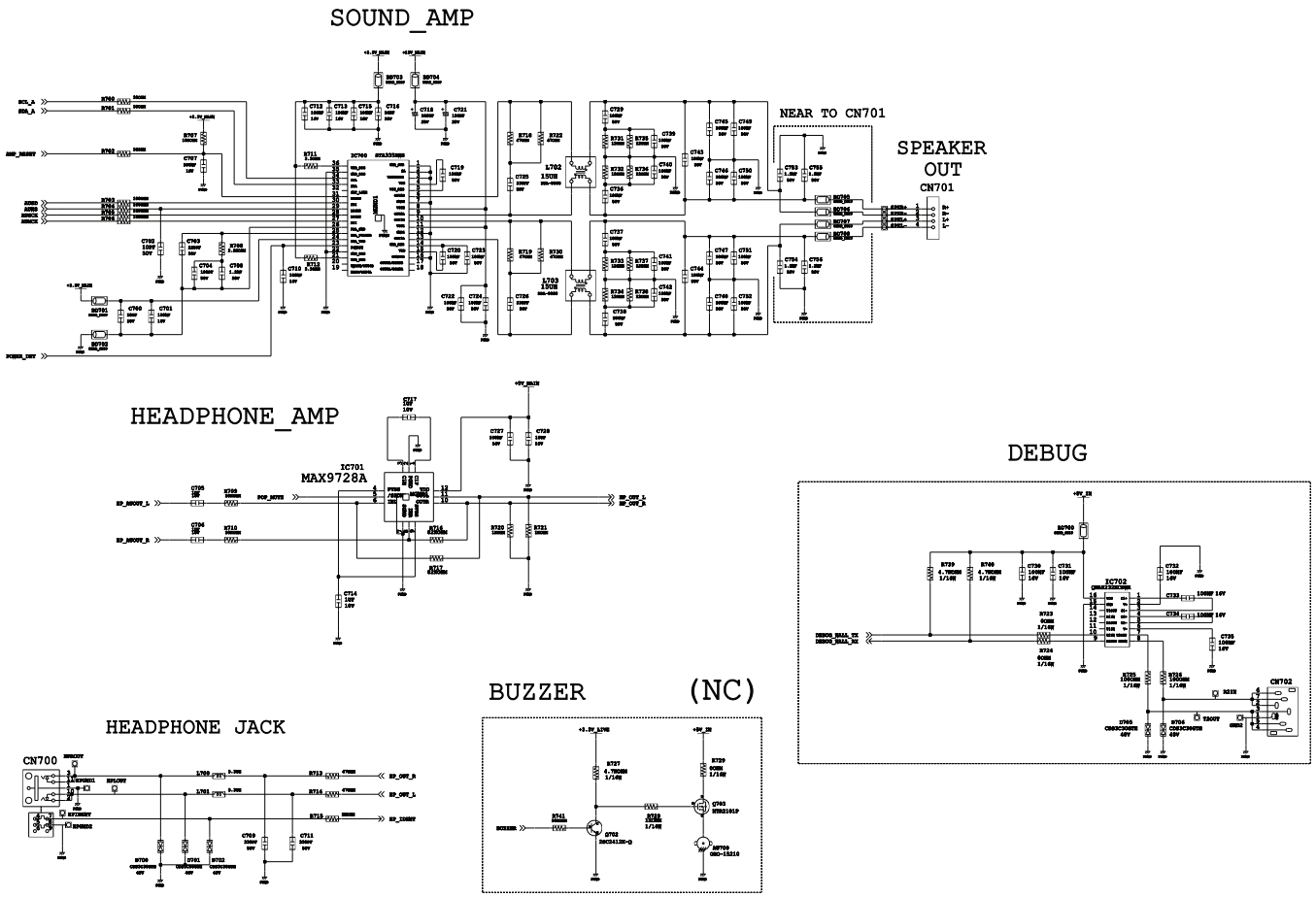
This Document can not be used without Samsungs authorization.

3:1 TMDS SWITCH



7-4-7. Schematic Diagrams (Sound Amp / Headphone)

This Document can not be used without Samsungs authorization.



Memo