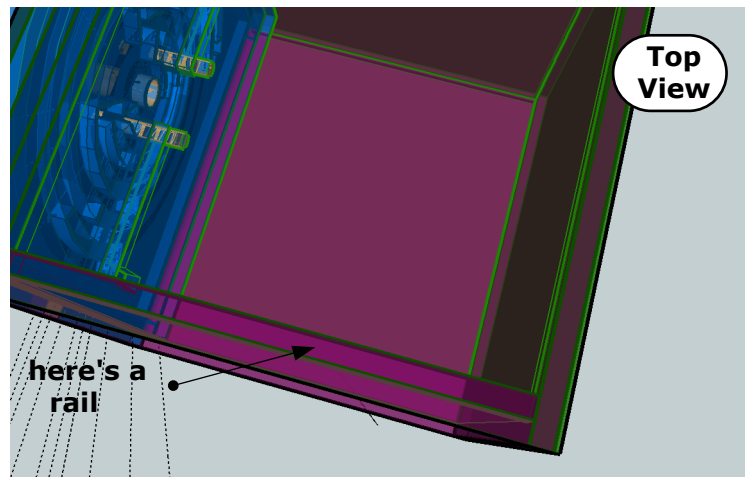
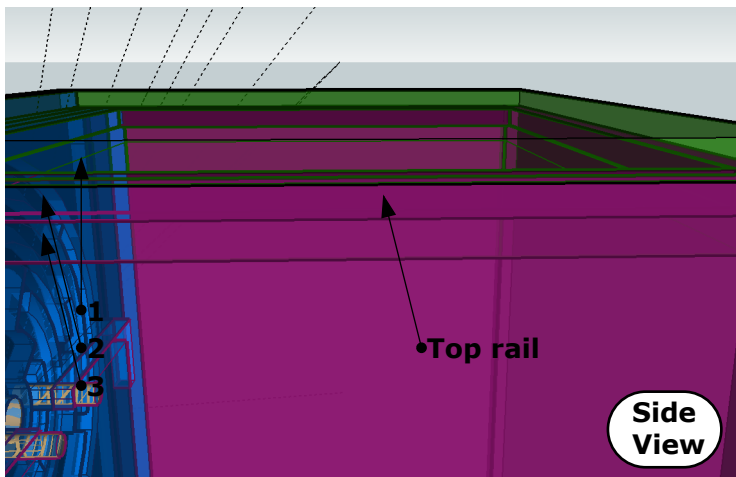


Cutting all the pieces:

Front pieces: the dimension are given like this H(eight) x W(idth) x D(epth) mm(milimeters)

- 1. 155 x 150 x 5
- 2. 130 x 130 x 5
- 3. 130 x 140 x 5
- 4. 120 x 140 x 5

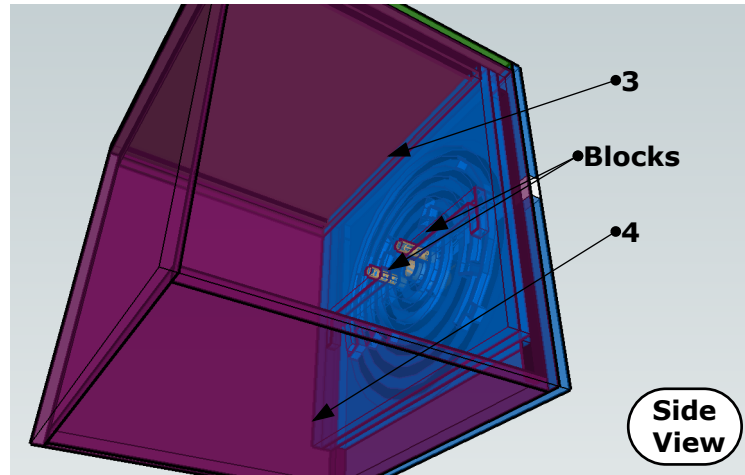
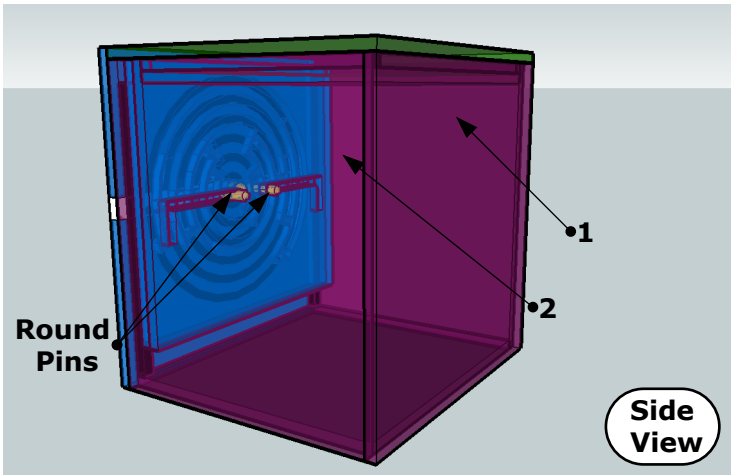
rails front 135 x 5 x 5



Top pieces: the dimension are given like this H(eight) x W(idth) x D(epth) mm(milimeters)

- 1. 155 x 150 x 5
- 2. 130 x 130 x 5
- 3. 130 x 140 x 5

rails top 135 x 5 x 5



left over pieces: the dimension are given like this H(eight) x W(idth) x D(epth) mm(milimeters)

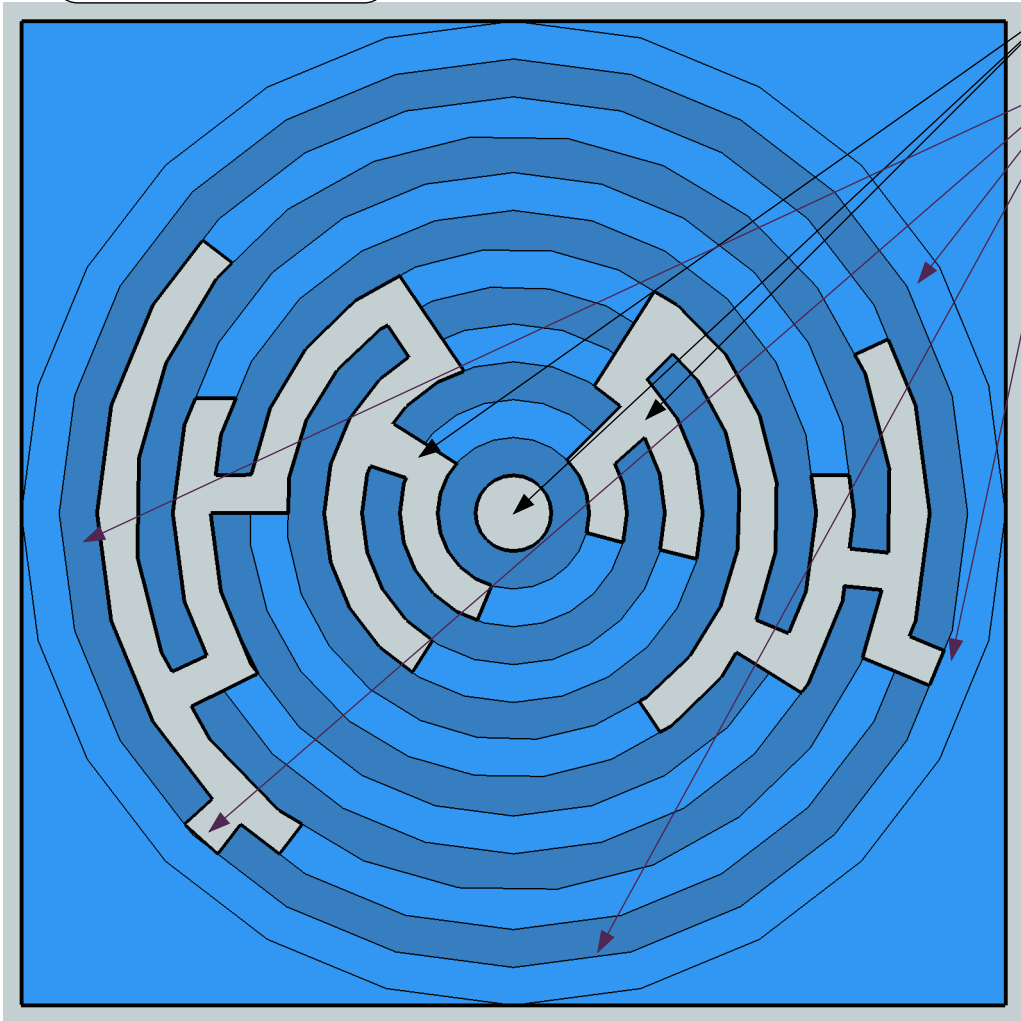
- 1. 150 x 150 x 5
- 2. 150 x 5 x 130
- 3. 150 x 5 x 130
- 4. 5 x 140 x 130

Blocks: 15 x 15 x 5

Round pins: 2x 30 long and 2,5 radius and 1x 25 long and 5 radius

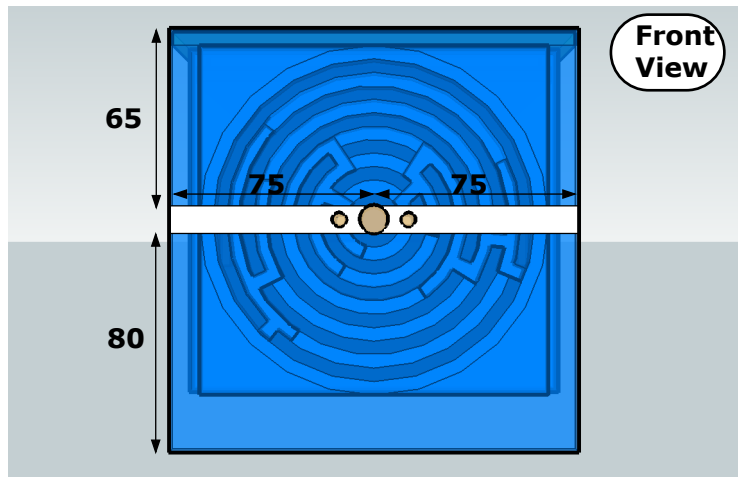
Refining the cuts:

Real life size 1:1



This has to be cut out
you have to cut this circular line.

Front piece 2

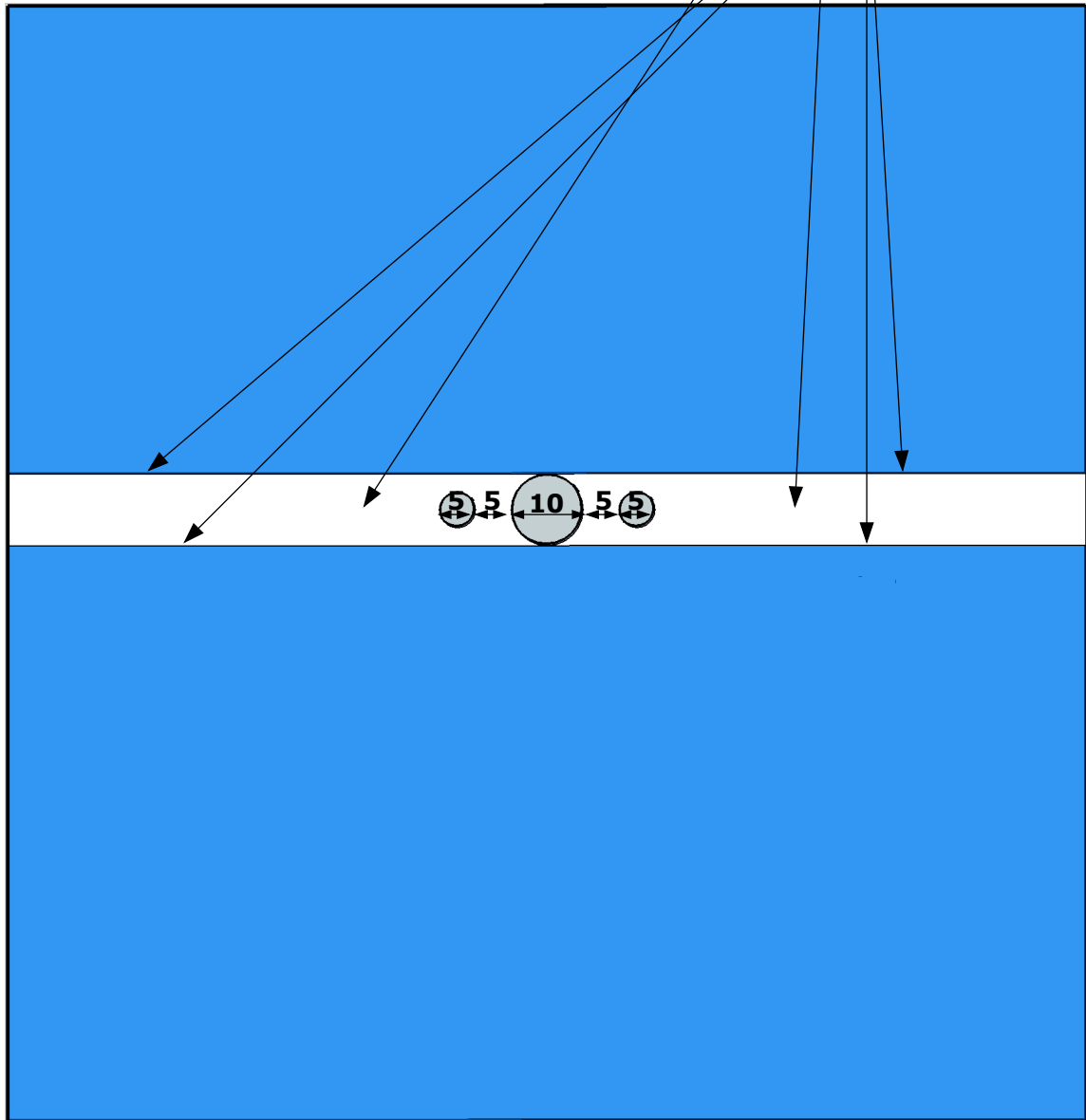


Front View

Front piece 1

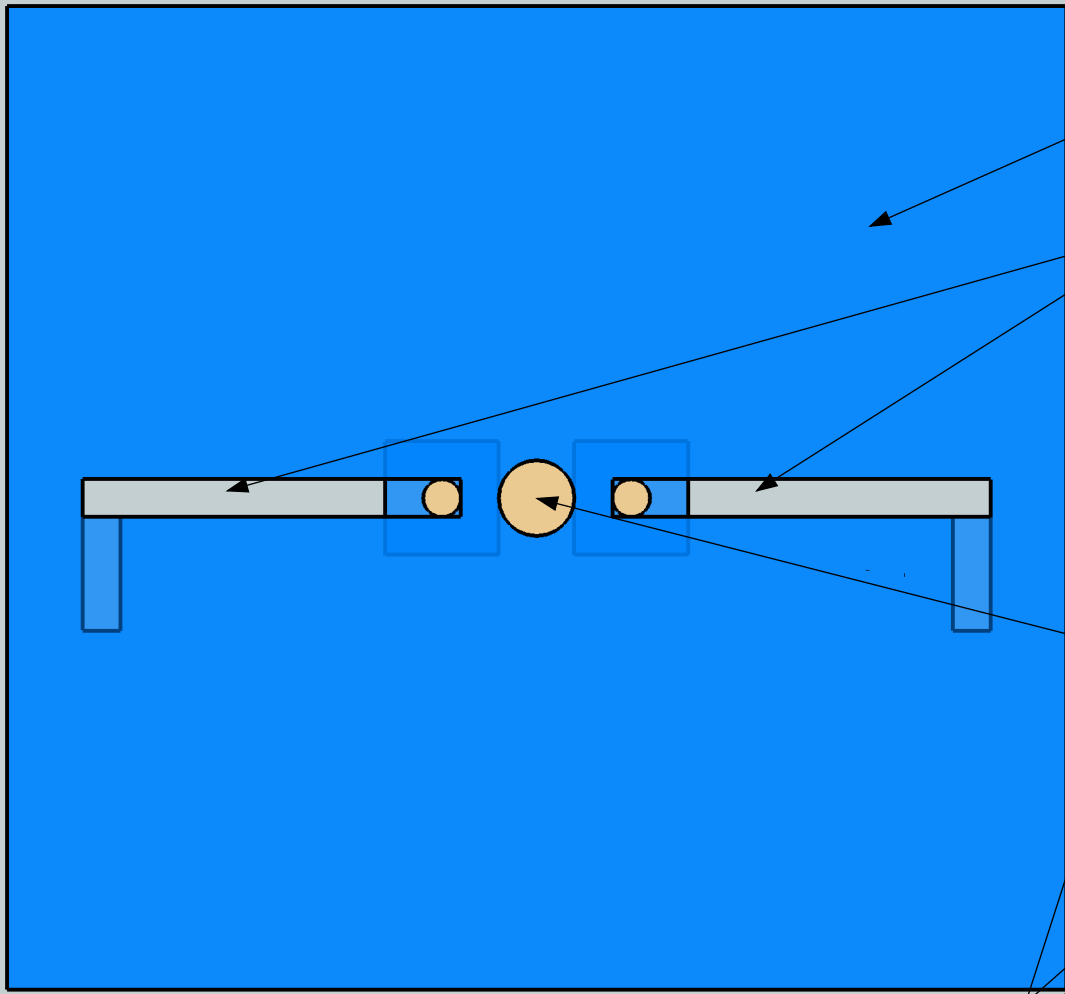
These two white pieces are 2 separate pieces.
Cut along these lines, so you'll end up with 4 pieces.

Real life size 1:1



Real life size 1:1

Front View



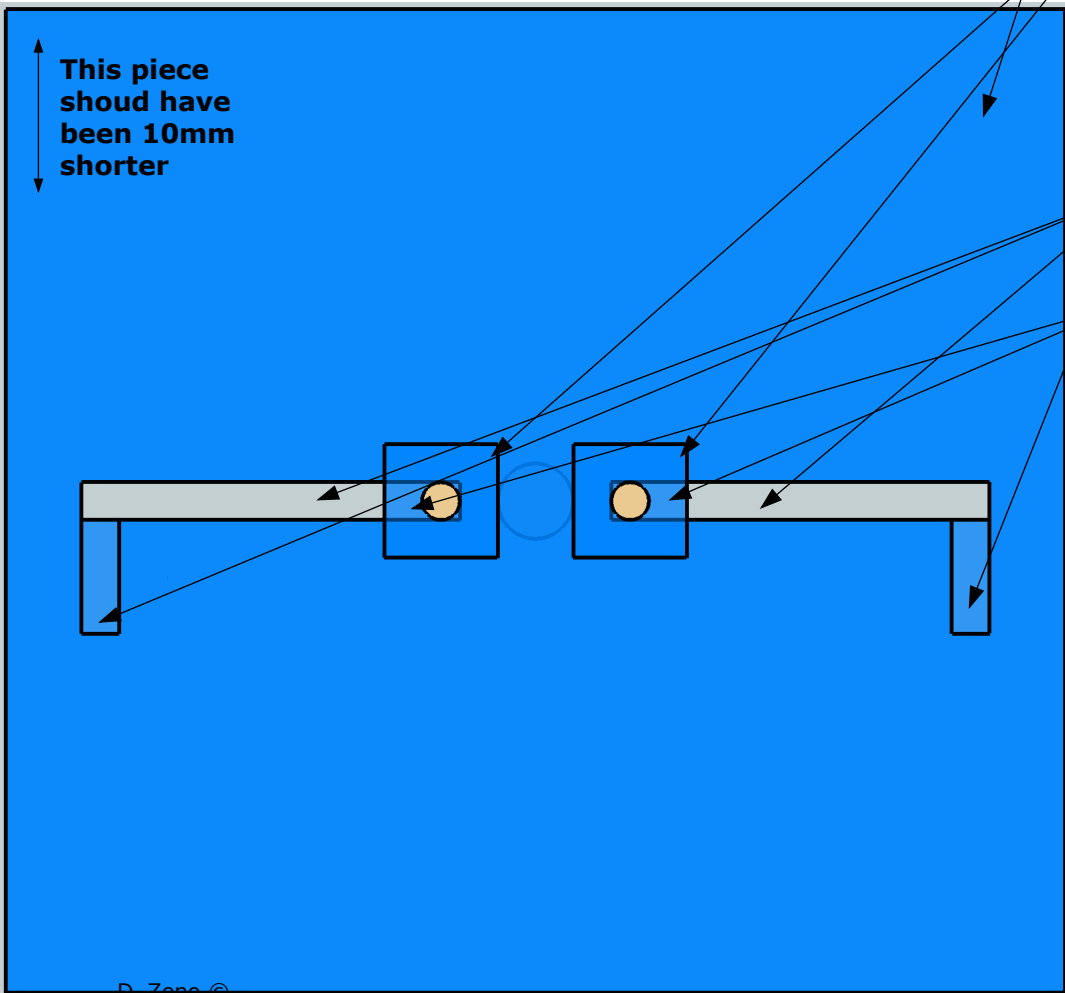
Front pieces
•3 and•4

•Cut this out

In the pieces 1 and 2 there have to be holes for this big round pin, but in 3 and 4 there shouldn't be a hole.

Blocks
Make a hole in the center of these.
radius 2,5

Back View



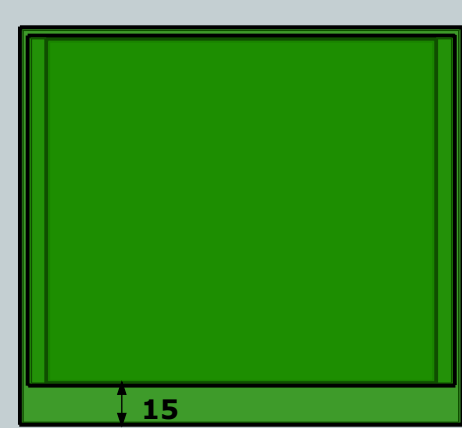
This piece should have been 10mm shorter

•Cut this out

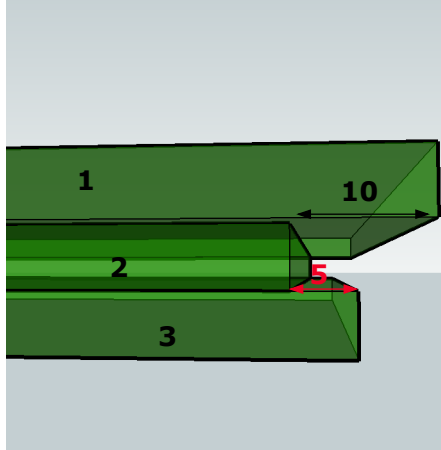
Also cut out that what is lighter colored behind the blocks

Glueing

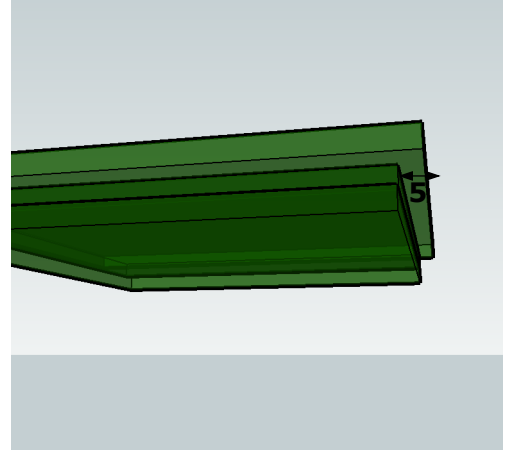
Bottom view



Back view

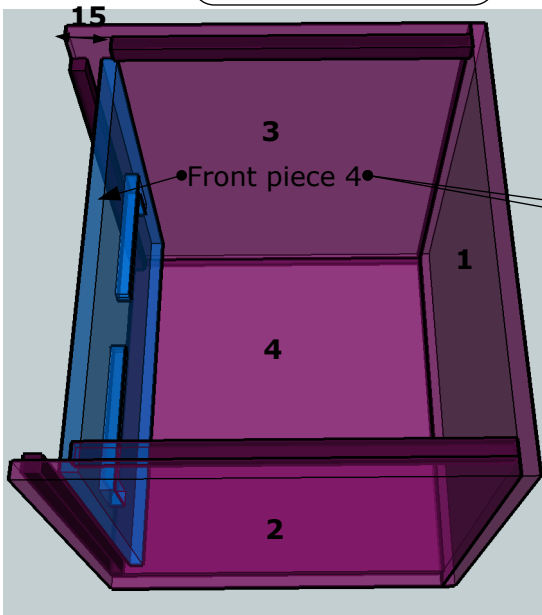


Top pieces

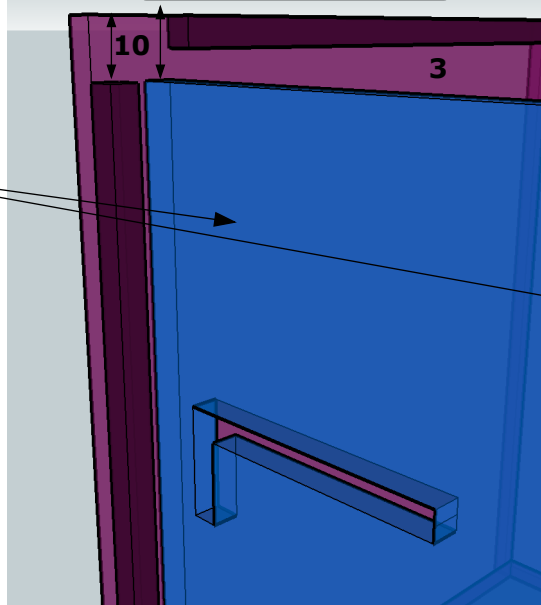


Side view

Top view

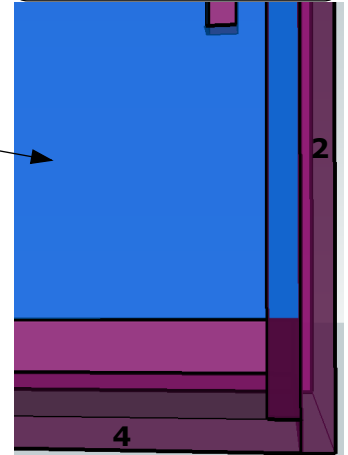


Front View

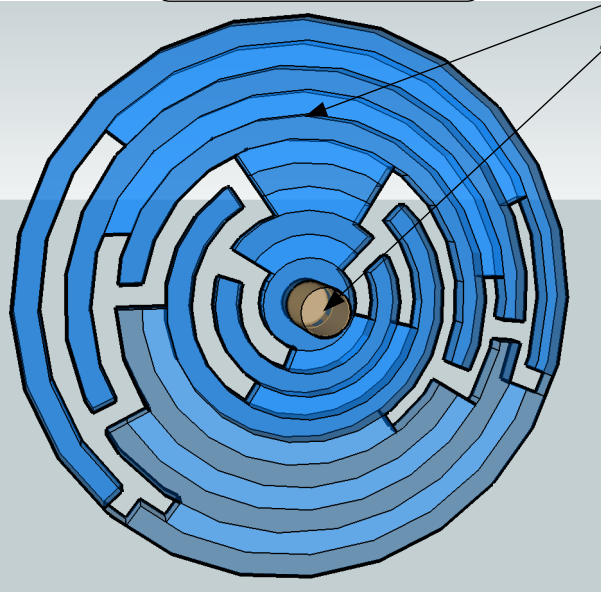


This has to be glued together as in the pictures

Front View



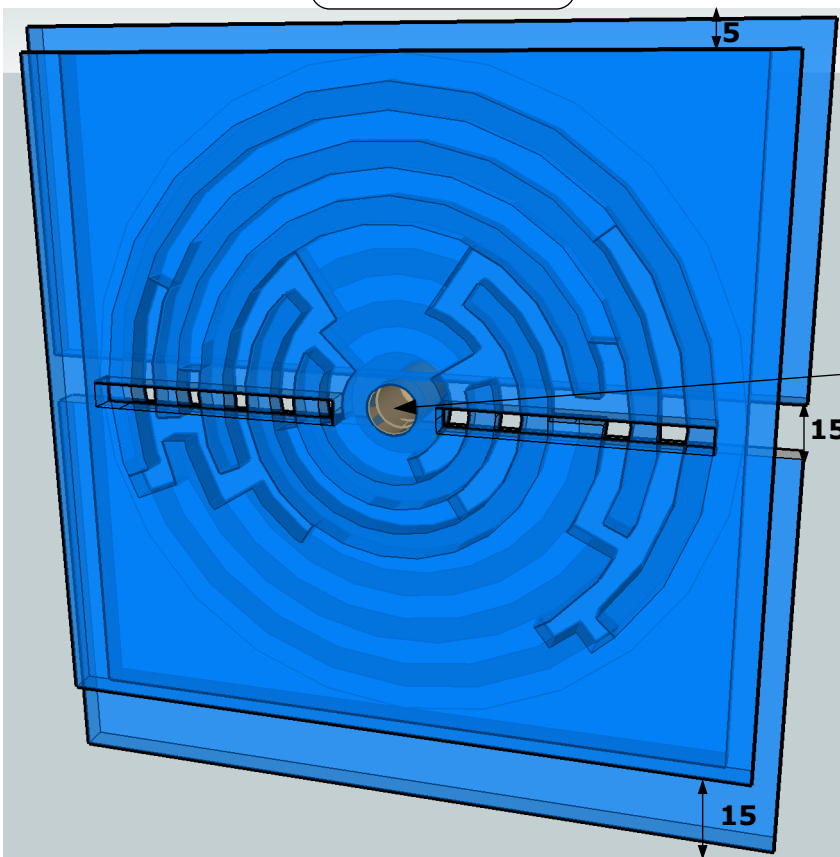
Front View



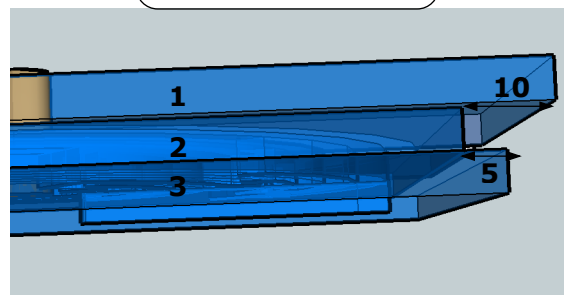
- Piece that was cut out of front piece 2
- Round pin with biggest radius

Glue these to pieces together and put them in front piece 2, but don't glue that together.

Back view

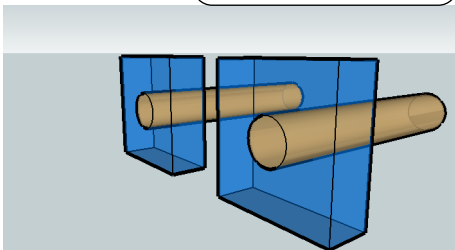


Top view



Don't glue the round circular piece that you just glued to the round pin to the rest of the pieces seen here. But do glue the rest of piece 2 to the piece 1 and 3. This should make it so you can turn the round pin and the circular piec.

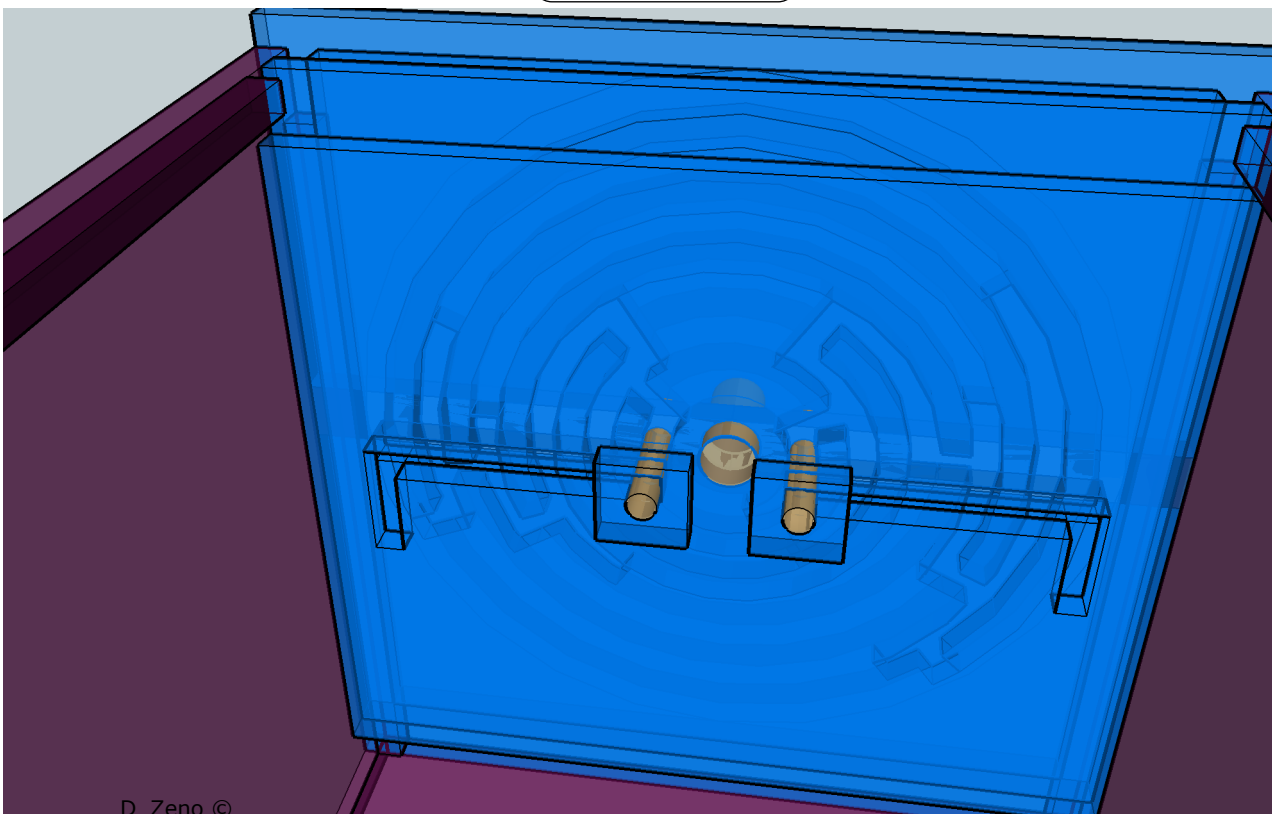
Back view



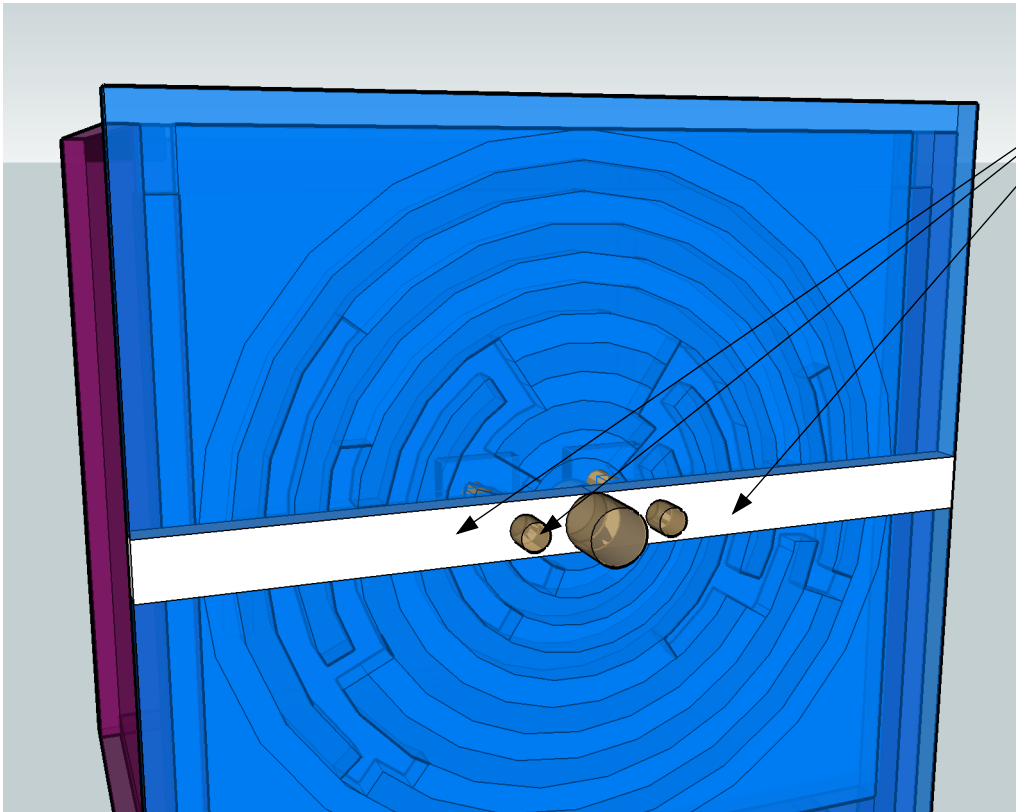
Now glue the 2 round pins that you have left in the center of the blocks.

Now slide the front piece in the box piece as shown in the picture and then put the round pins with blocks in.

Back view



Front View



Now glue these white pieces, that you earlier cut out of front piece 1, to the round pins.

Now try out the keyway, slide the pins to their end position and push the front piece down. After doing that slide on the top piece and slide the front piece up and the pins back to their beginning positions. Your Puzzle box is done and locked. Enjoy it :) !!!.