

4

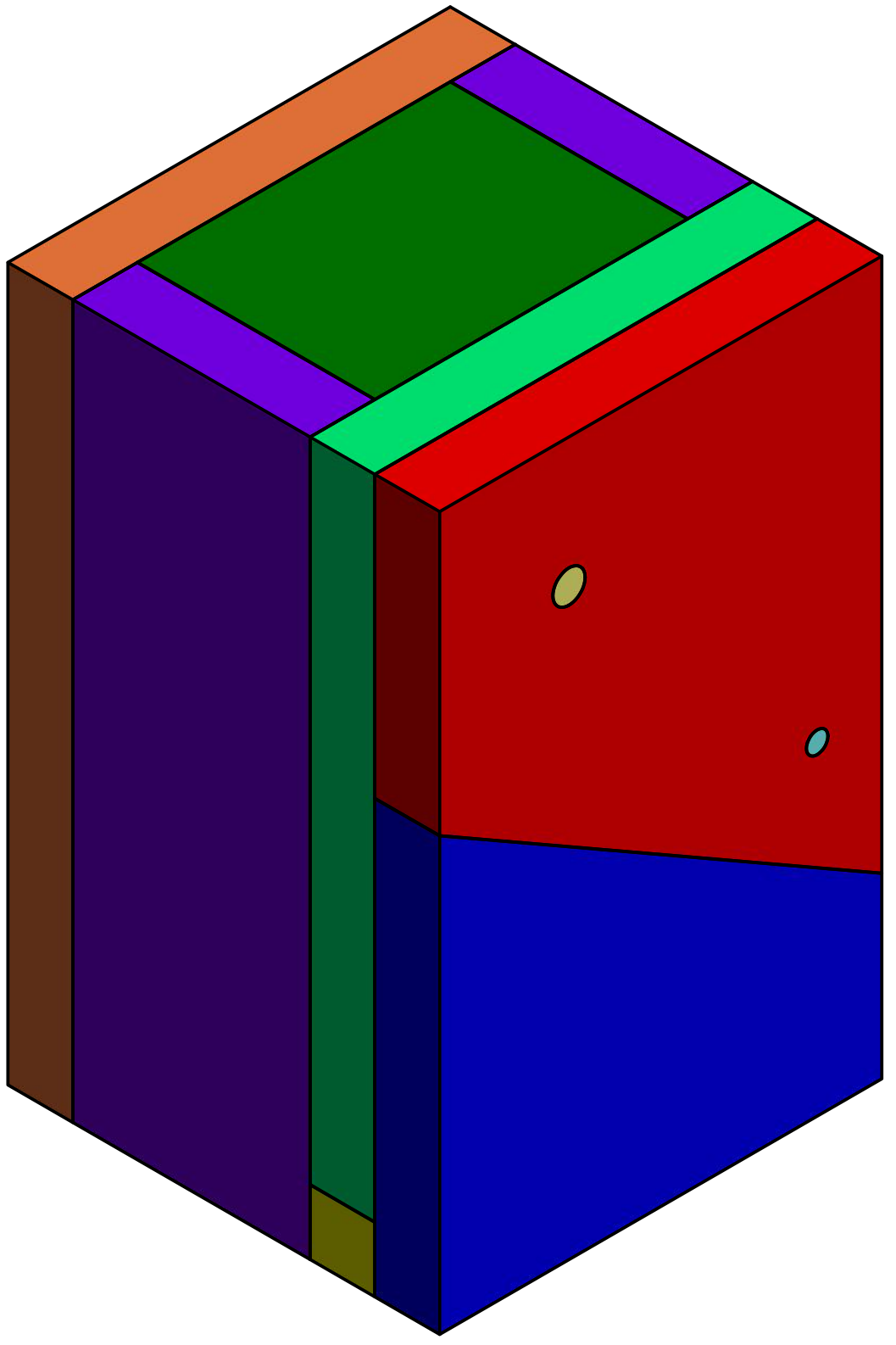
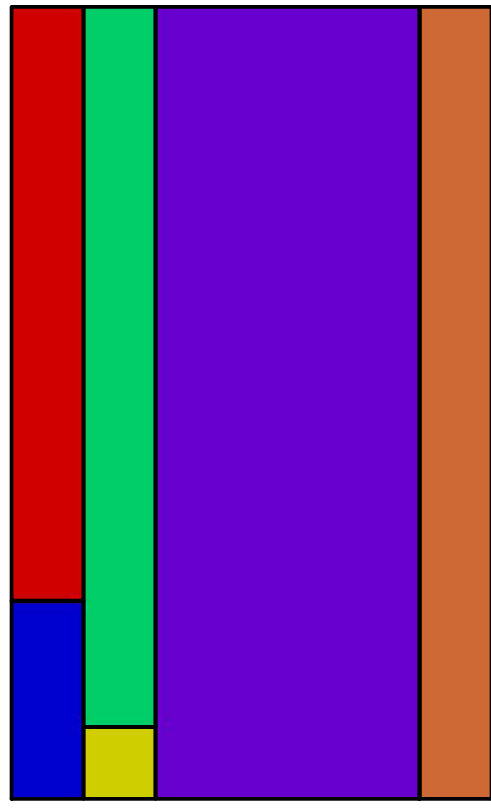
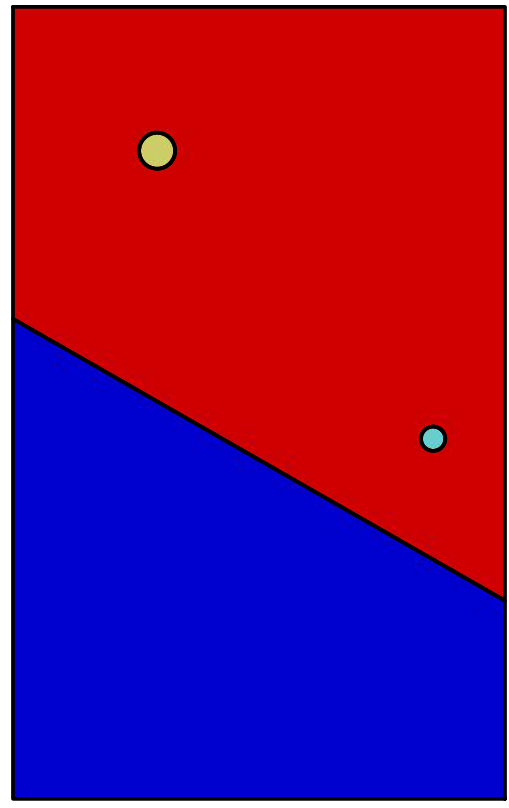
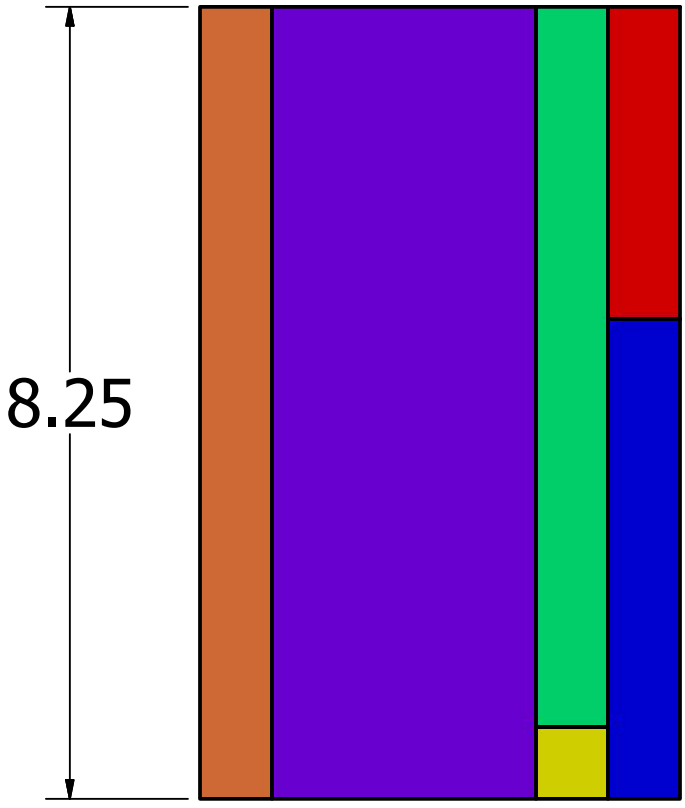
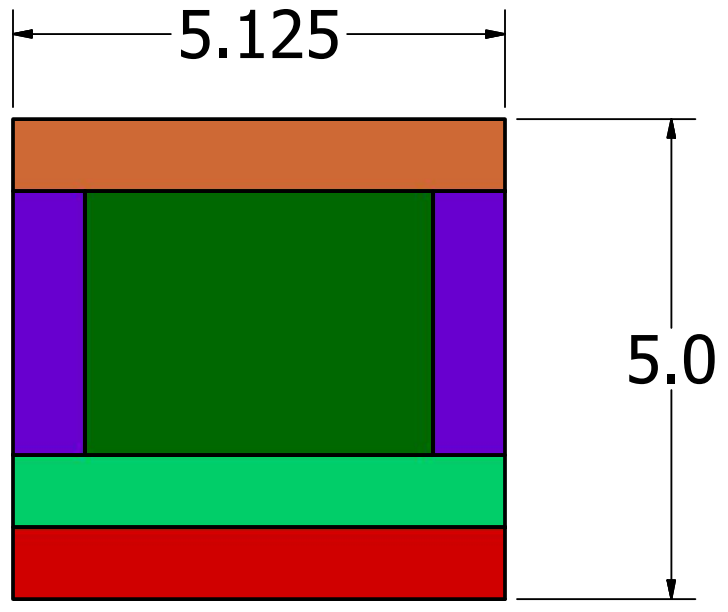
3

2

1

D

D



C

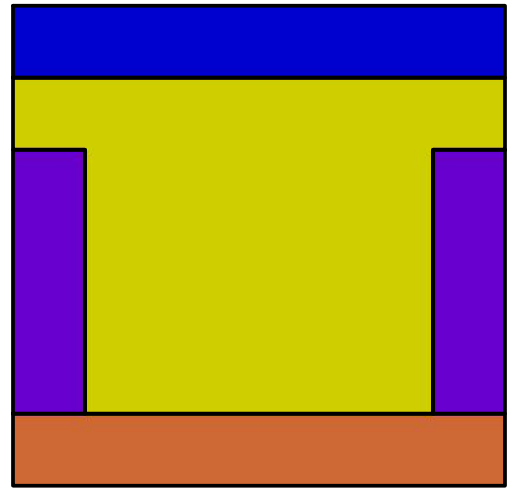
C

B

B

A

A



Overall Size

DRAWN	MI	12/28/2013		
CHECKED			TITLE	
QA				
MFG				
APPROVED				
		SIZE	DWG NO	REV
		C	unabox_drawing	
		SCALE	SHEET 1 OF 7	

4

3

4

2

1

A

A

4

3

2

1

D

D

C

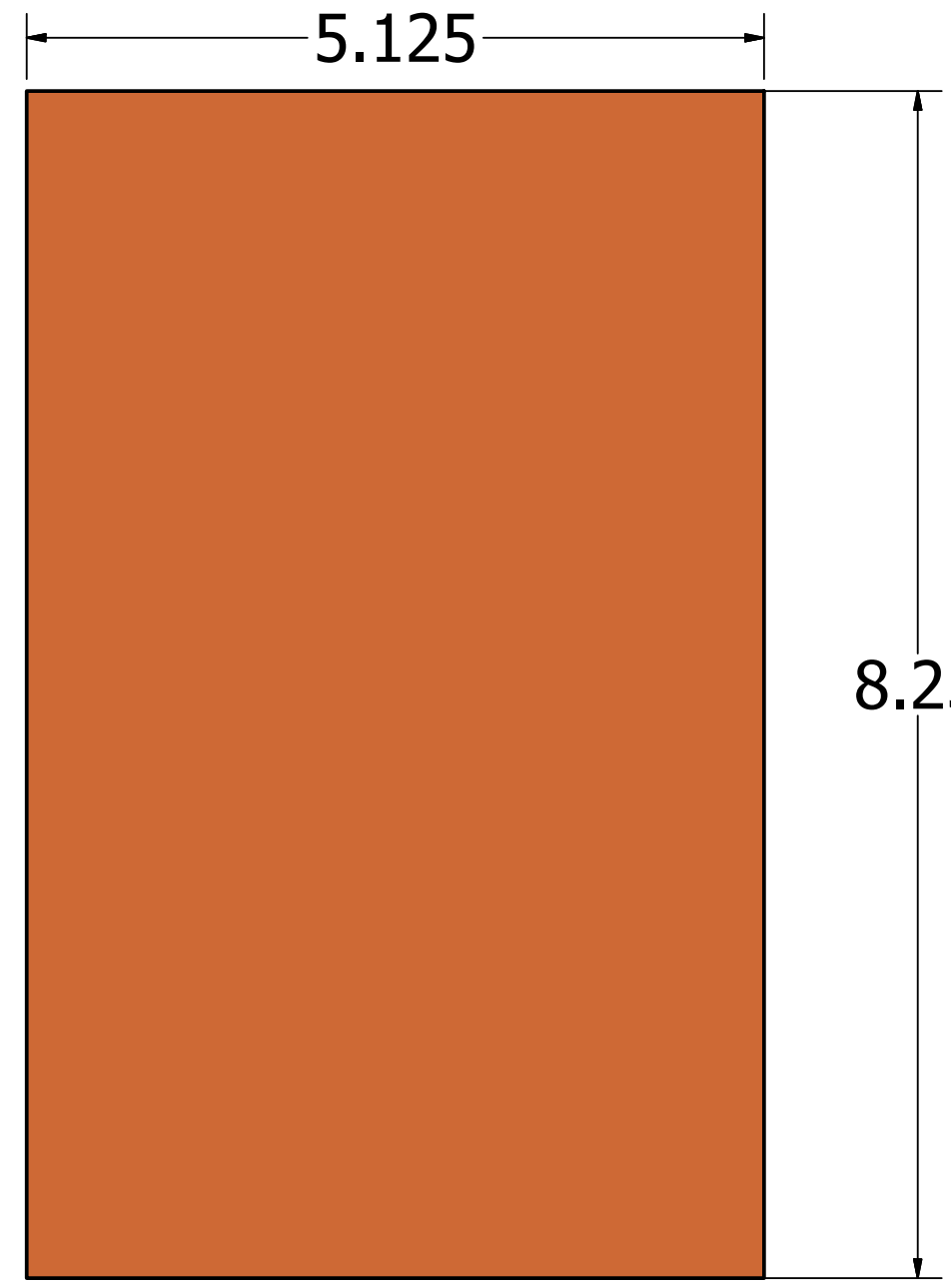
C

B

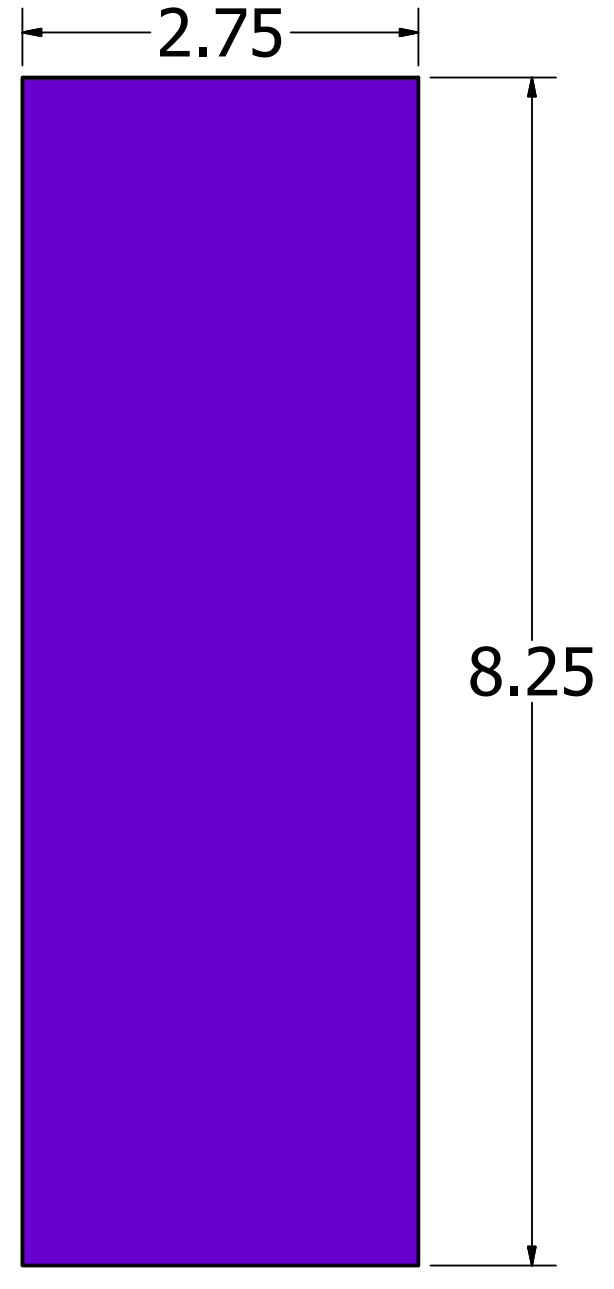
B

A

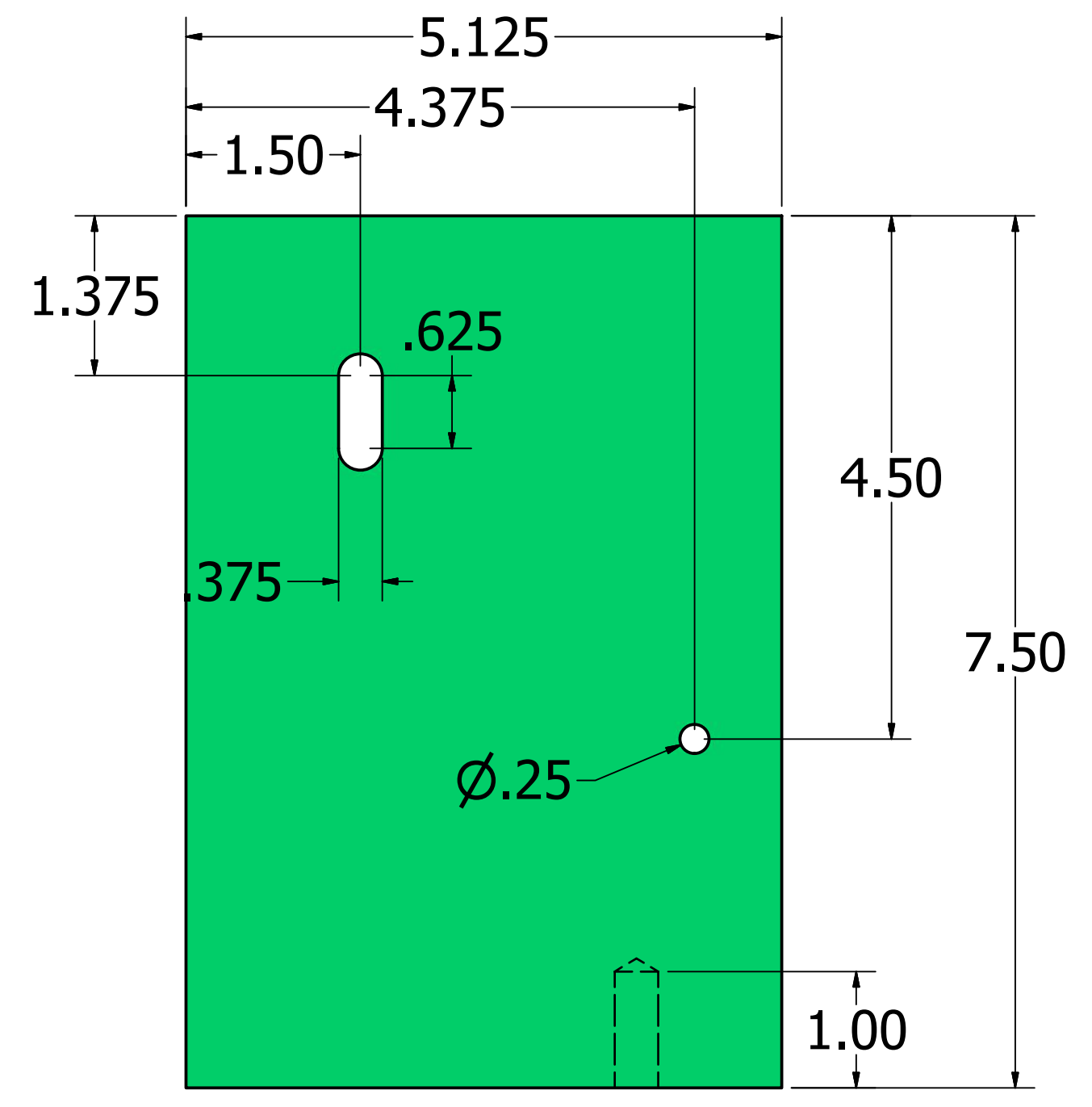
A



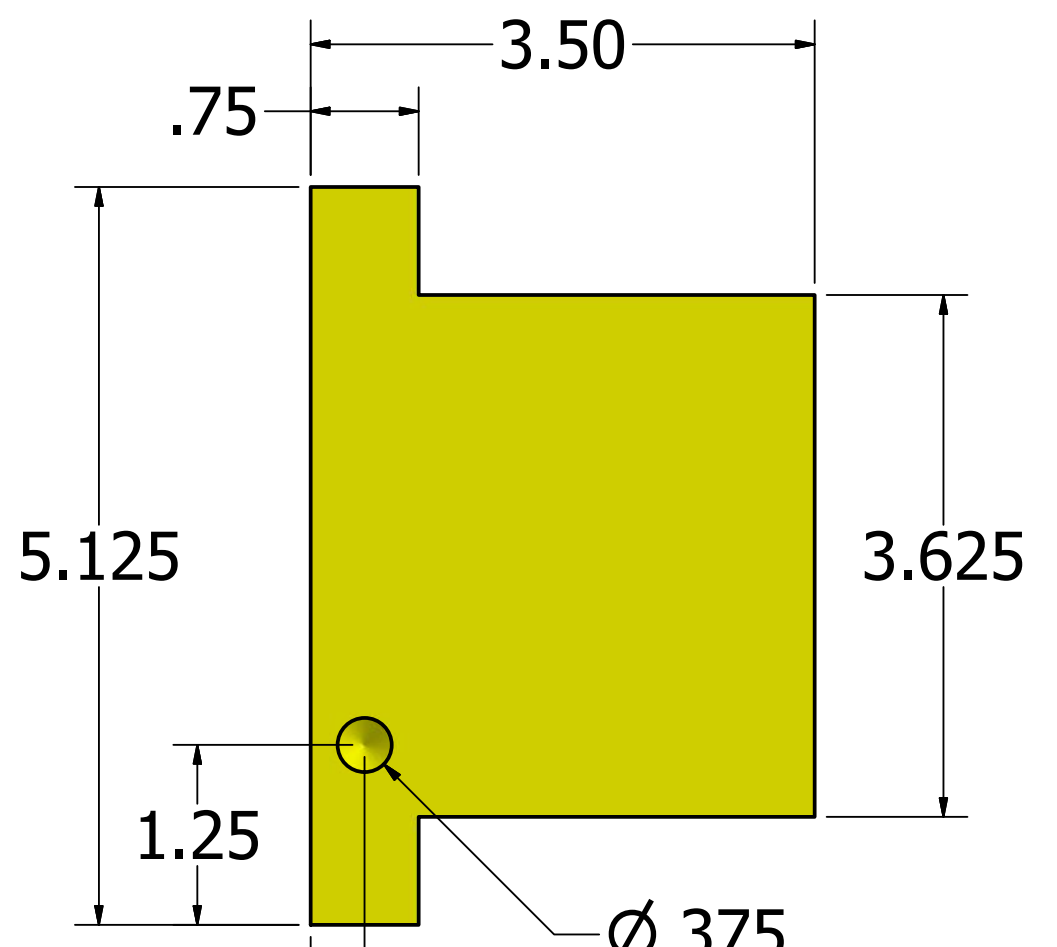
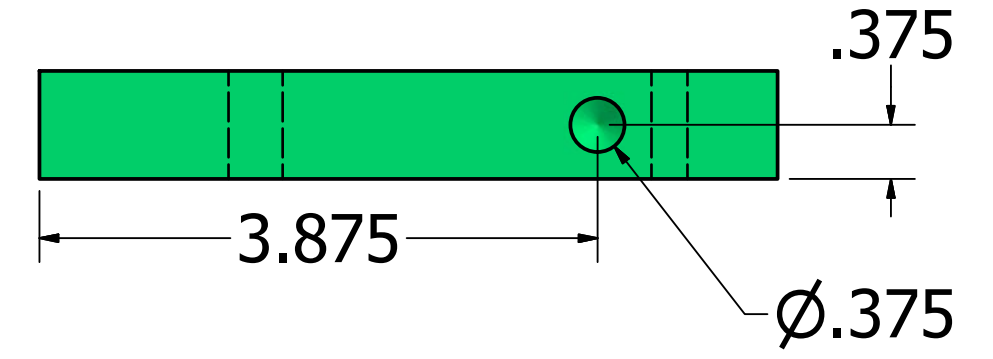
Bottom



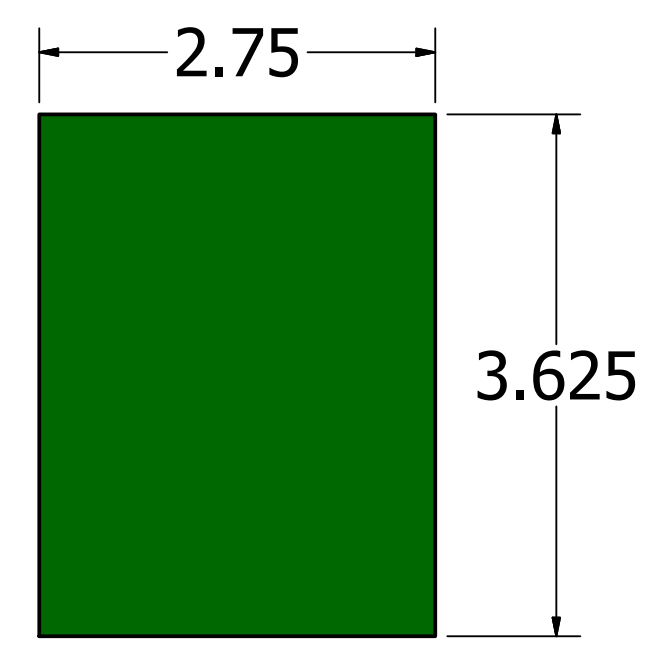
Side (x2)



Slotted Top

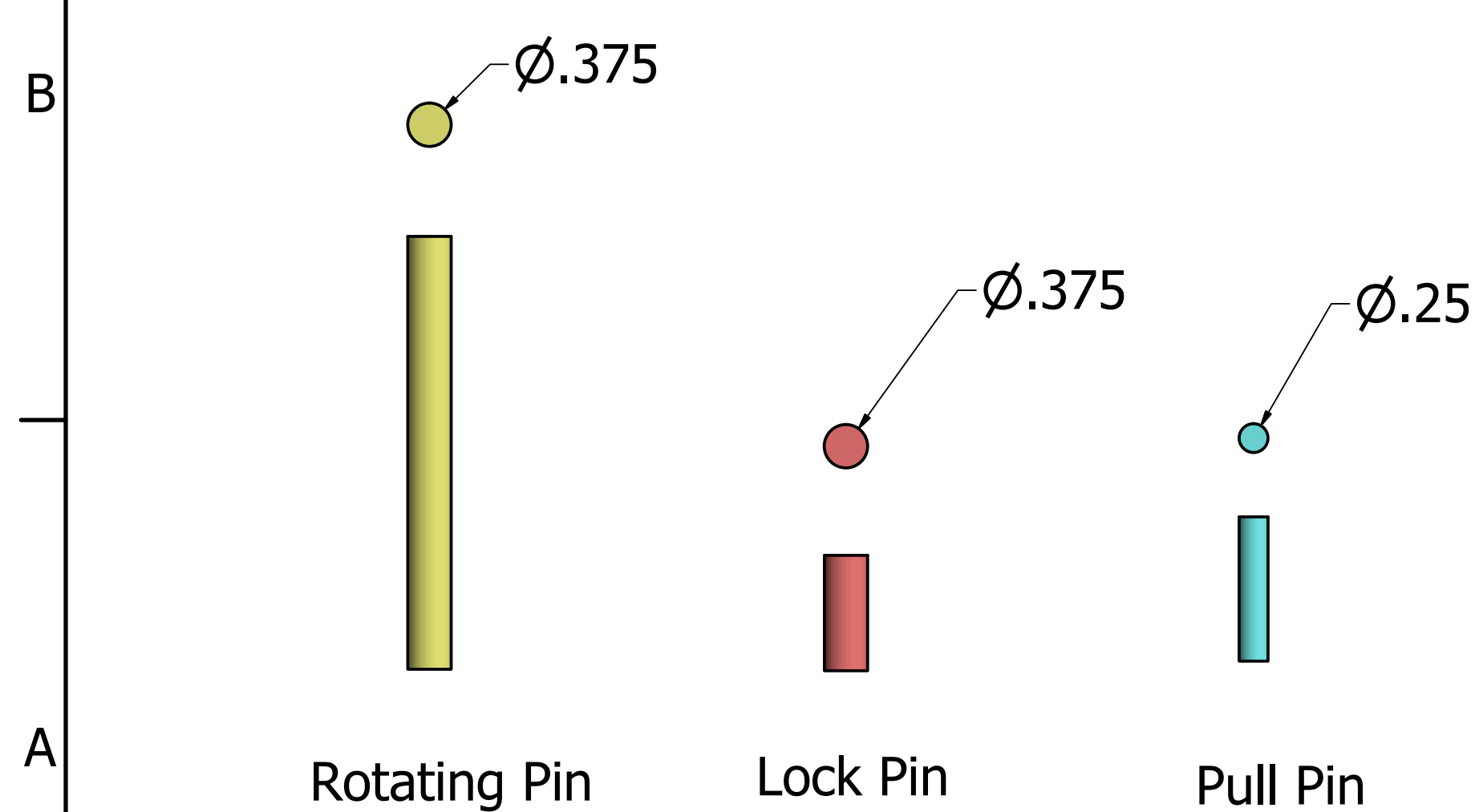
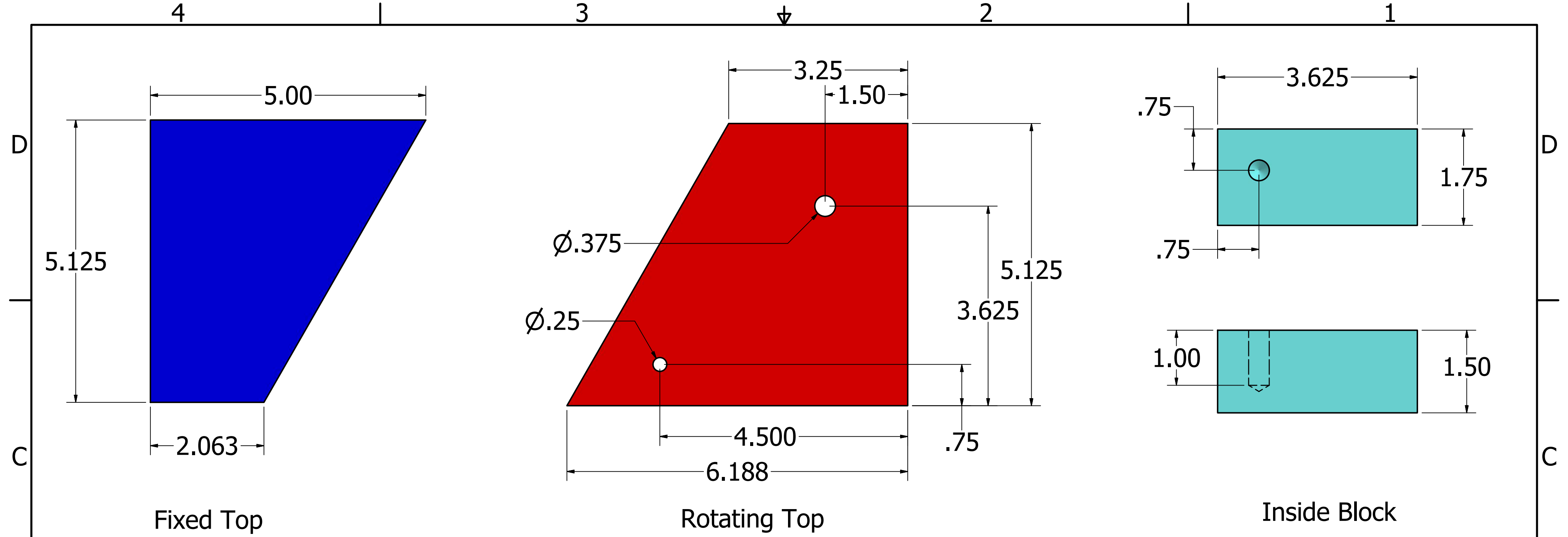


End 1

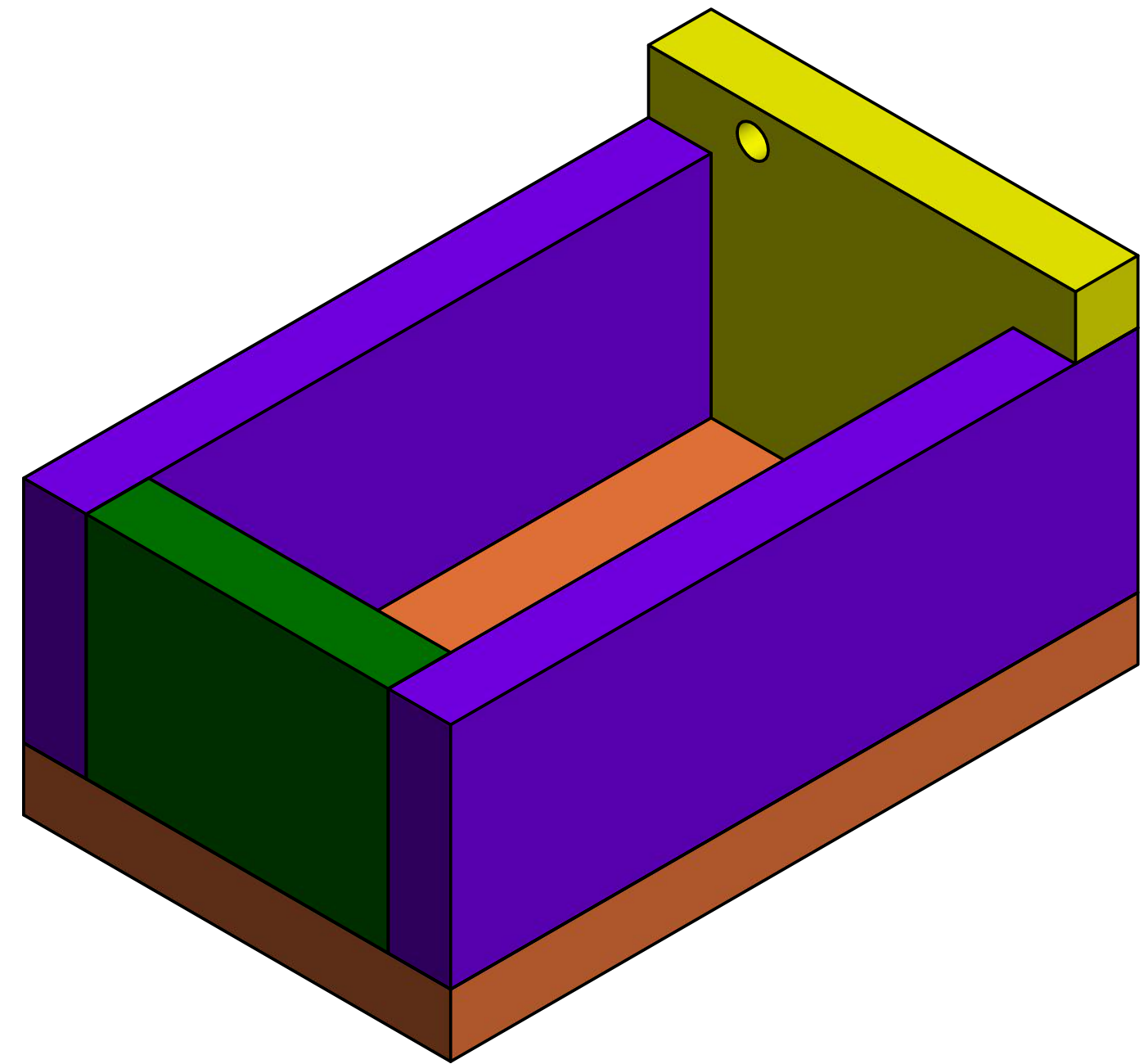
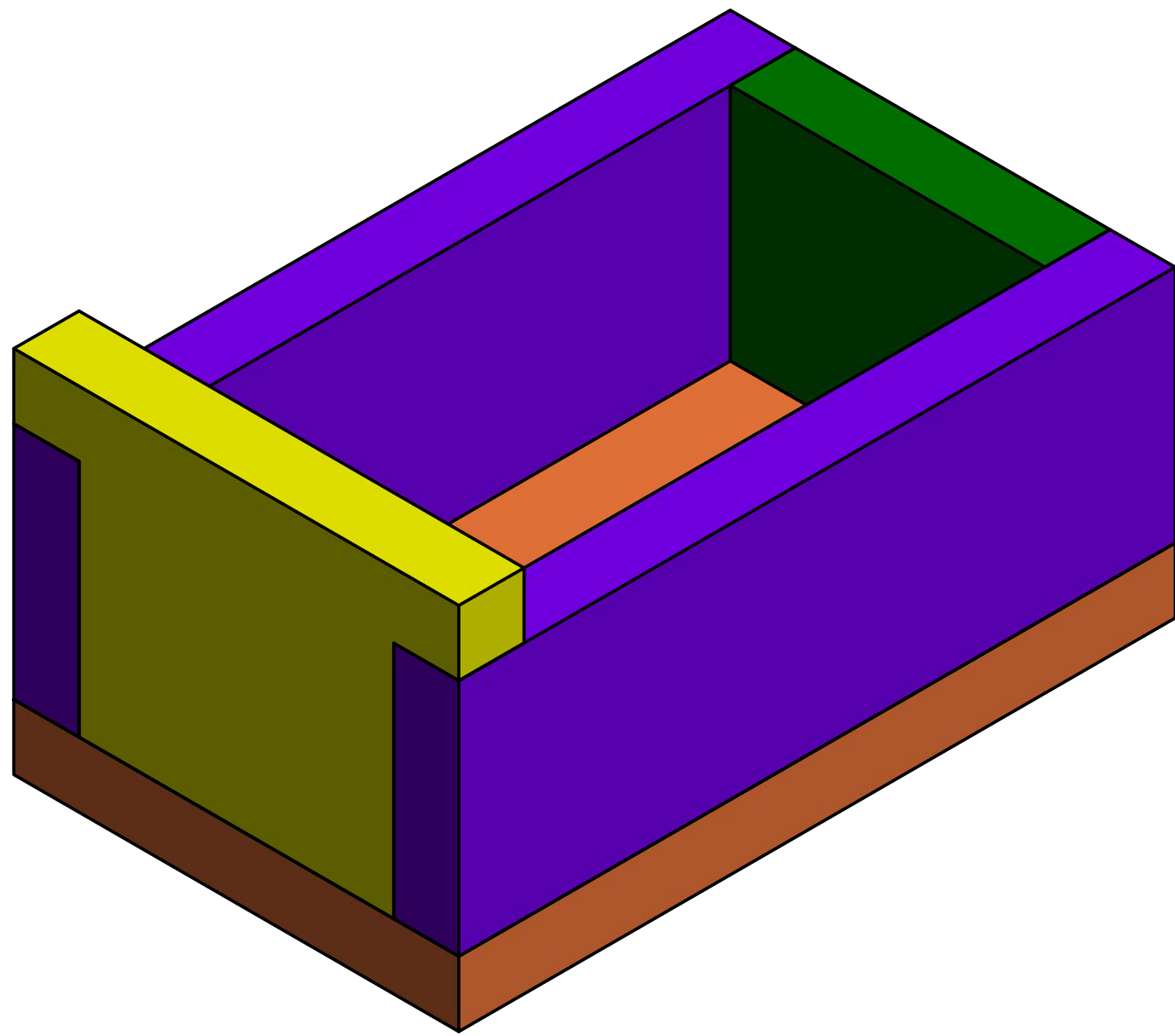


End 2

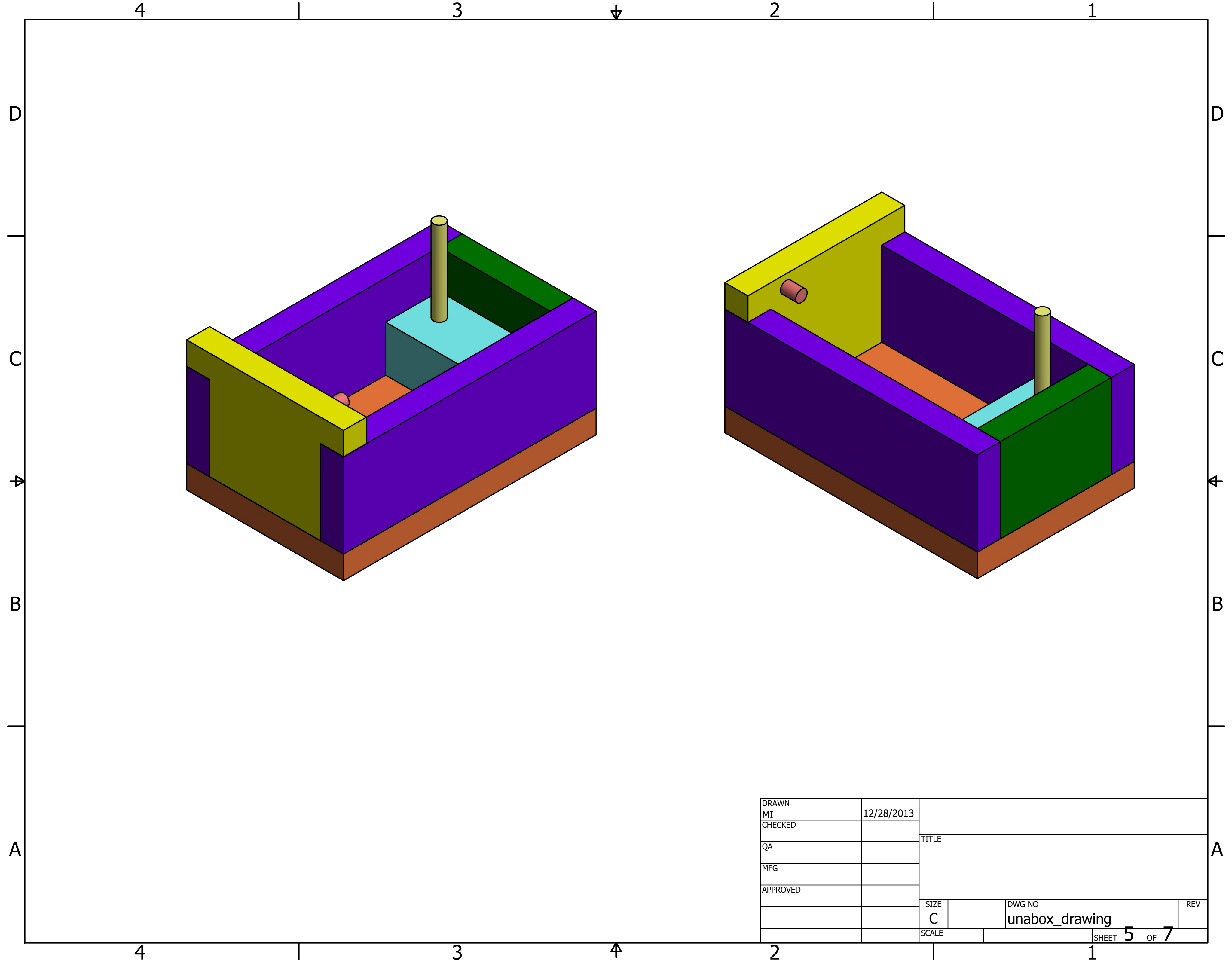
DRAWN	MI	12/28/2013		
CHECKED			TITLE	
QA				
MFG				
APPROVED				
			SIZE	DWG NO
			C	unabox_drawing
			SCALE	REV
			SHEET 2 OF 7	



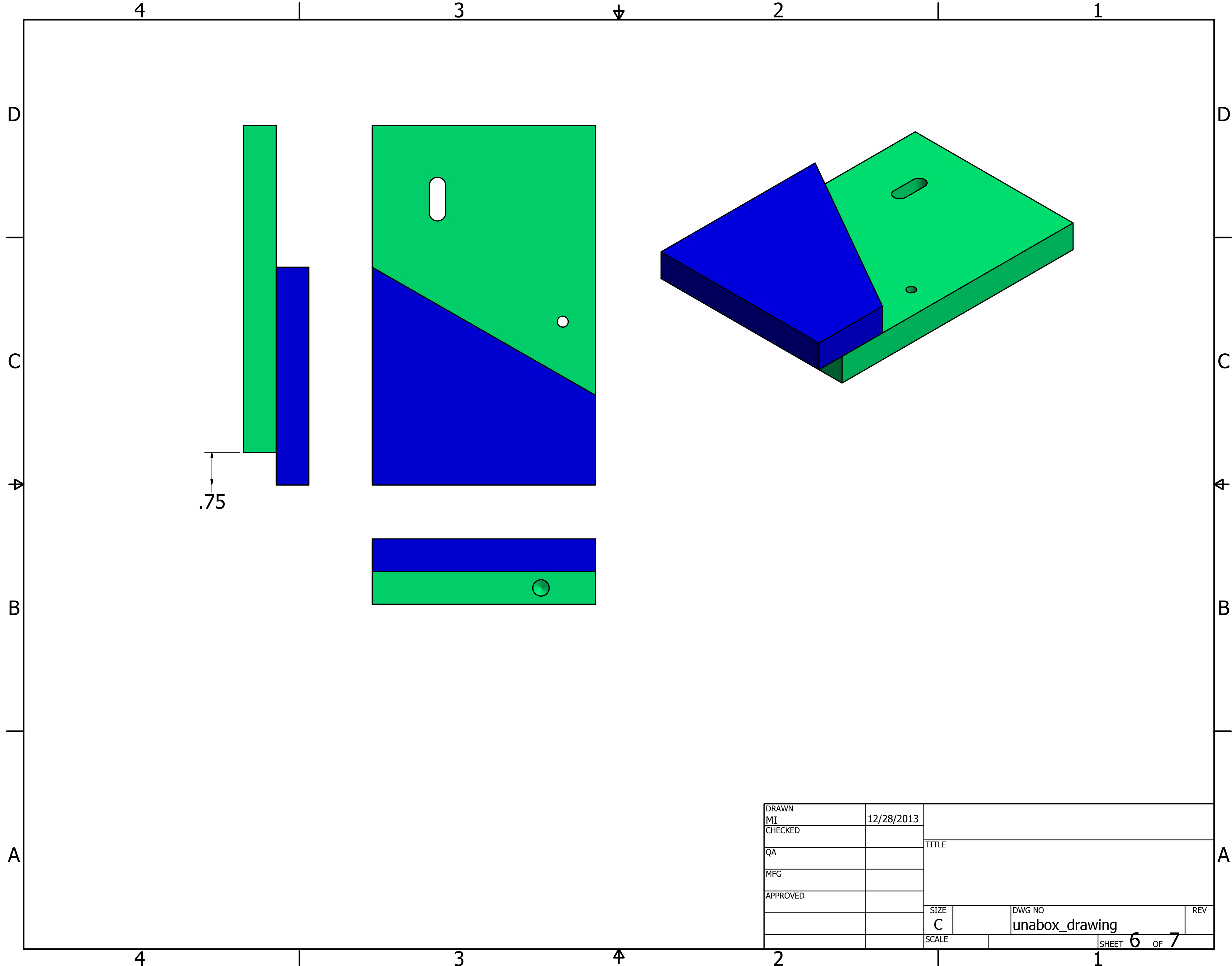
DRAWN	MI	12/28/2013		
CHECKED			TITLE	
QA				
MFG				
APPROVED				
		SIZE	DWG NO	REV
		C	unabox_drawing	
		SCALE	SHEET 3 OF 7	



DRAWN	MI	12/28/2013		
CHECKED			TITLE	
QA				
MFG				
APPROVED				
			SIZE	DWG NO
			C	unabox_drawing
			SCALE	REV
			SHEET 4 OF 7	



DRAWN	MI	12/28/2013		
CHECKED			TITLE	
QA				
MFG				
APPROVED				
			SIZE	DWG NO
			C	unabox_drawing
			SCALE	REV
				SHEET 5 OF 7



DRAWN	MI	12/28/2013		
CHECKED			TITLE	
QA				
MFG				
APPROVED				
			SIZE	DWG NO
			C	unabox_drawing
			SCALE	REV
			SHEET 6 OF 7	

4

3

2

1

D

D

C

C

B

B

A

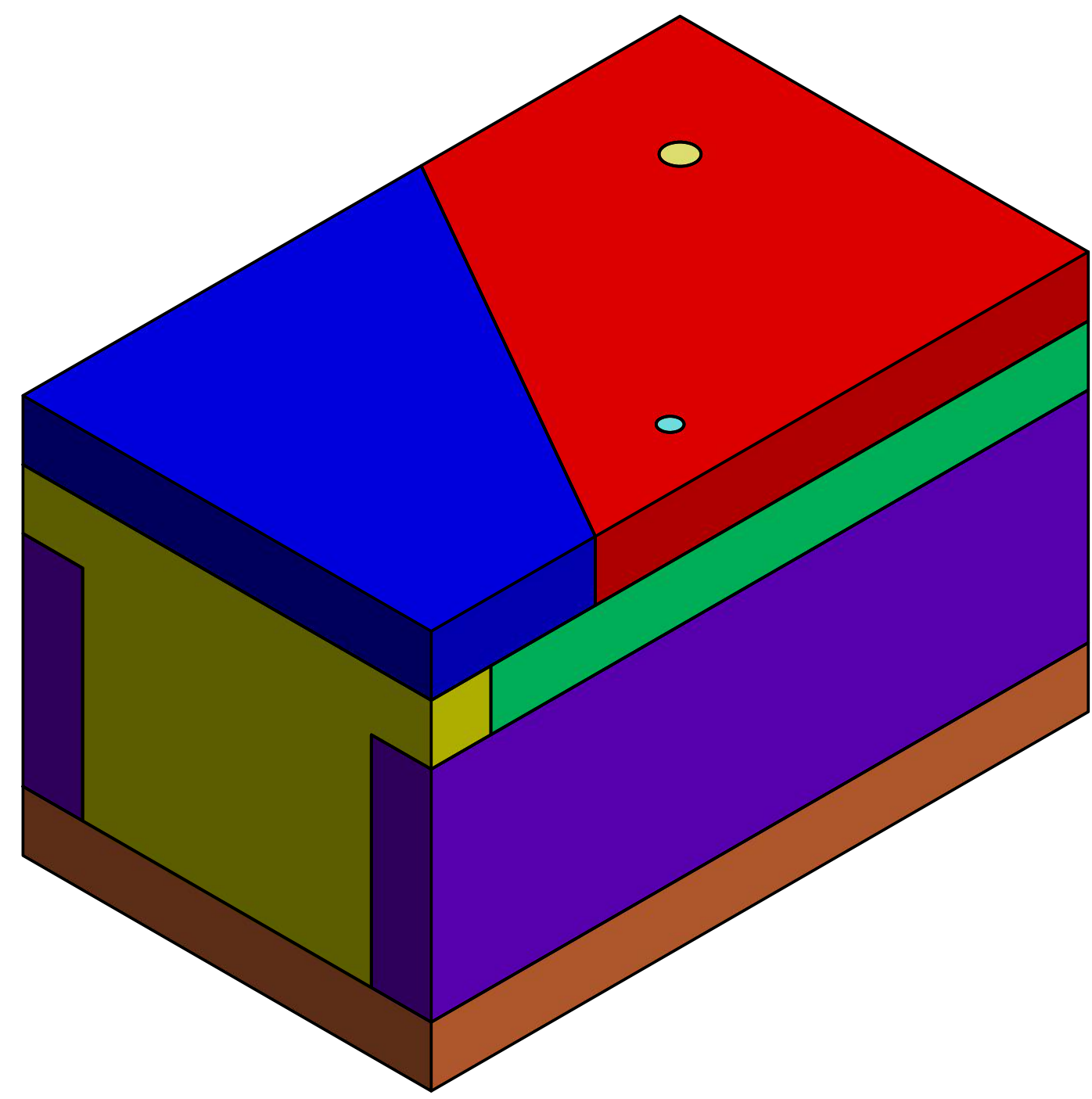
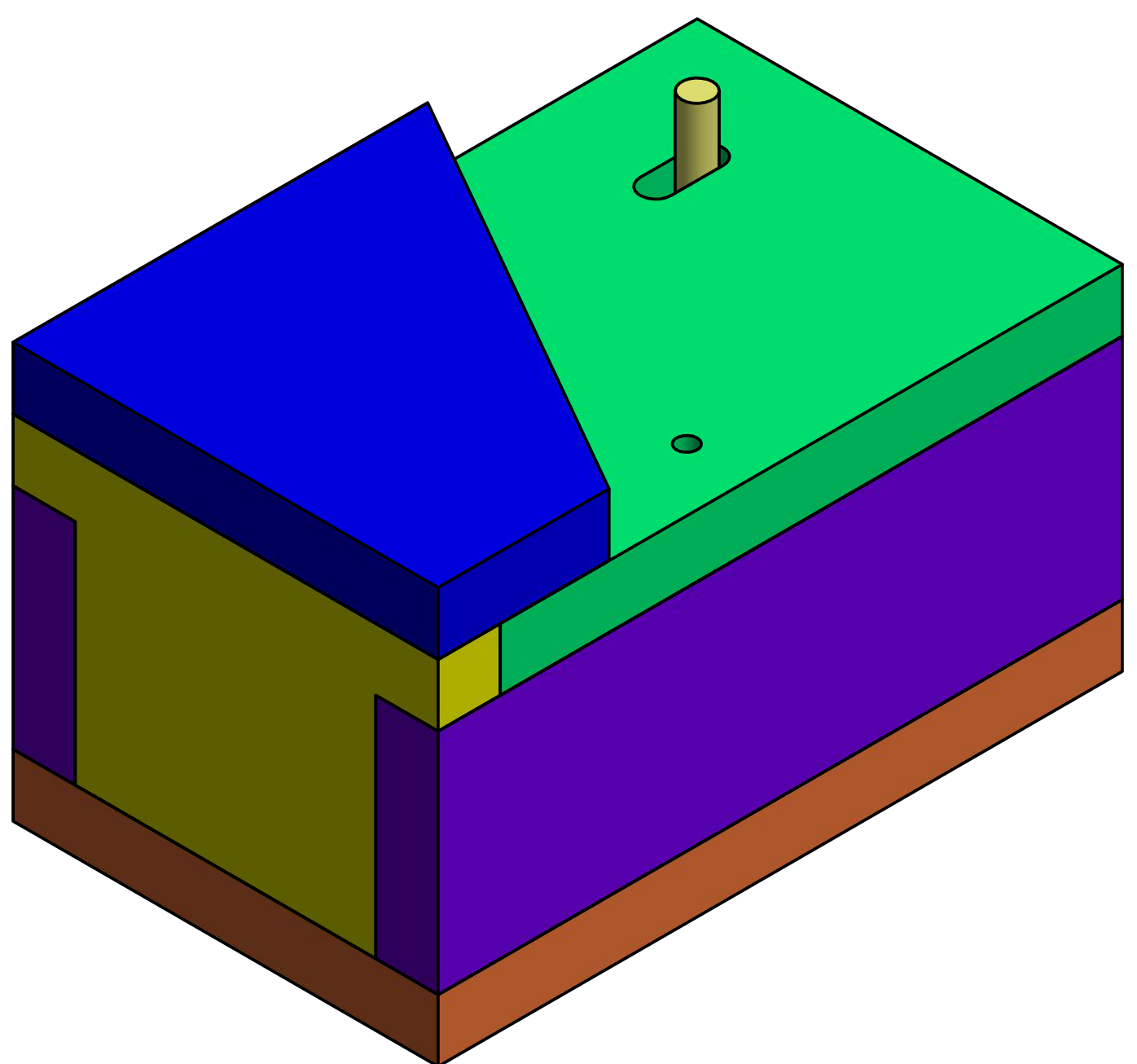
A

4

3

2

1



DRAWN	MI	12/28/2013		
CHECKED			TITLE	
QA				
MFG				
APPROVED				
			SIZE	DWG NO
			C	unabox_drawing
			SCALE	REV
			SHEET	7 OF 7