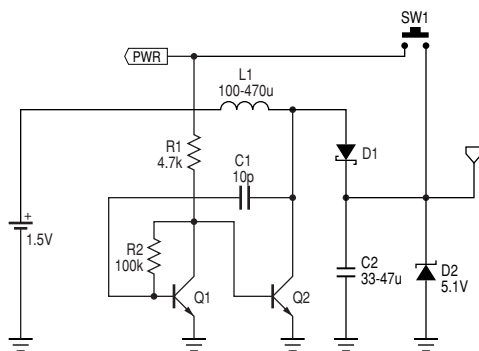
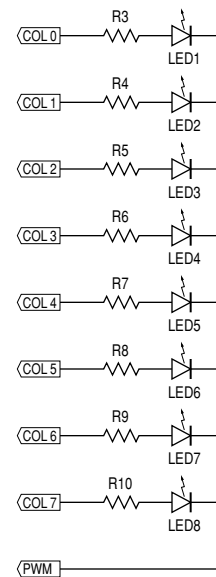


**Controller**



**Power Supply (Voltage Booster)**



\* R3 - R10: 39 ohm

**LEDs**

**BOM**

- 8x 39 ohm (R3 - 10)
- 1x 1k ohm (R11)
- 1x 4.7k ohm (R1)
- 1x 100k ohm (R2)
- 1x 10pF (C1)

- 1x 0.1uF (C3)
- 1x 33 - 47uF (C2)
- 1x 100-470uH (L1)
- 1x Schottky Diode (D1)
- 1x 5.1V Zener (D2)

- 2x 2222A (NPN BJT)
- 1x PIC16F1824
- 8x LED
- 1x Tactile Switch

Title <b>Wave JT)</b>			
Date <b>07/17/2012</b>	Rev. <b>2</b>	Sheet <b>1 of 1</b>	
Designed by Akimitsu Sadoi			